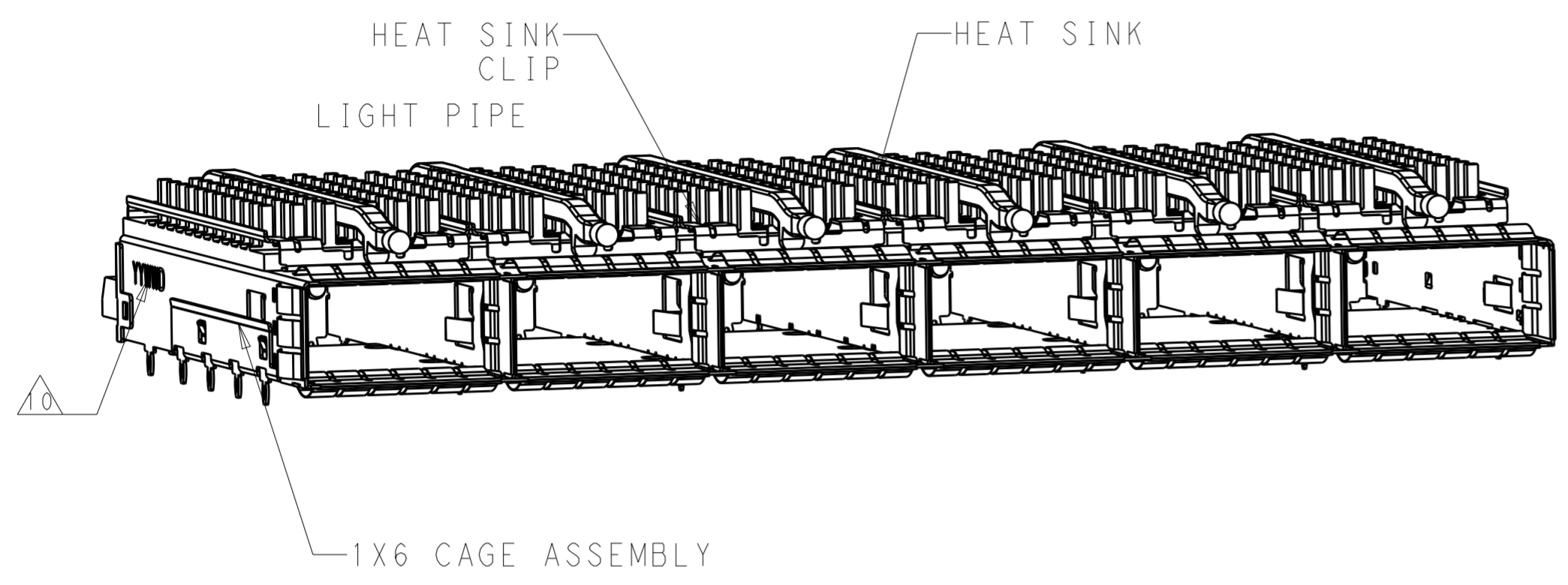
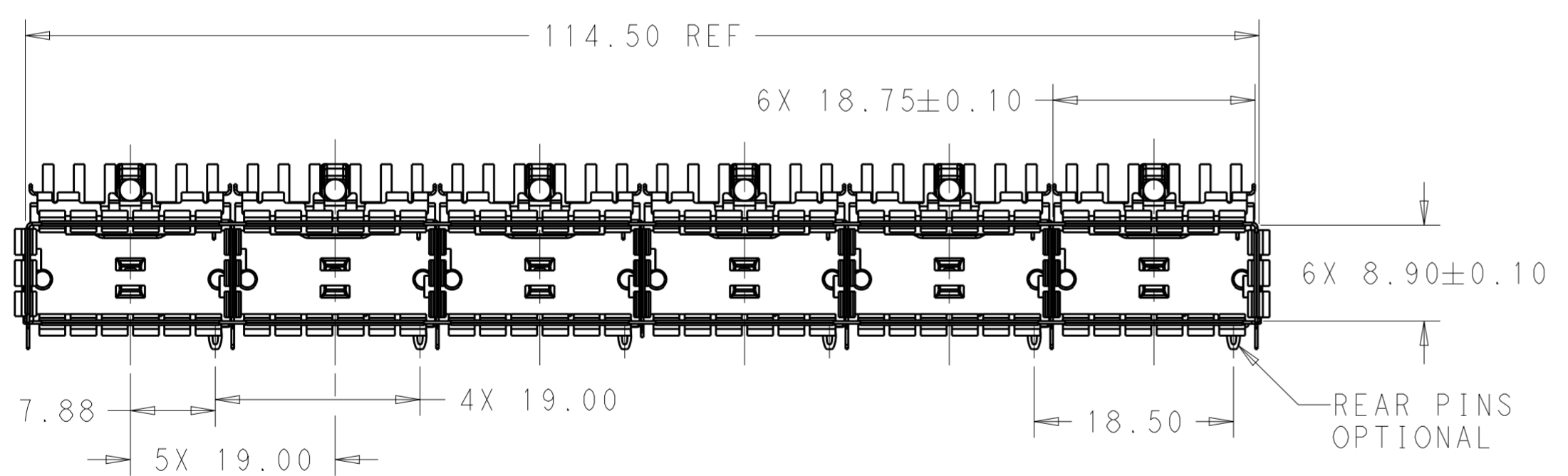


THIS DRAWING IS UNPUBLISHED. RELEASED FOR PUBLICATION 20  
 © COPYRIGHT 20 BY - ALL RIGHTS RESERVED.

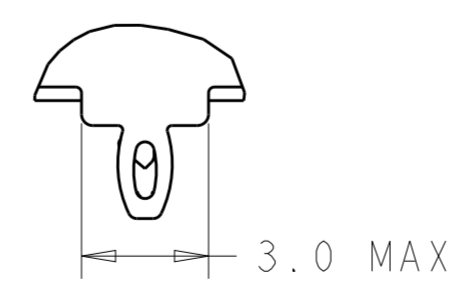
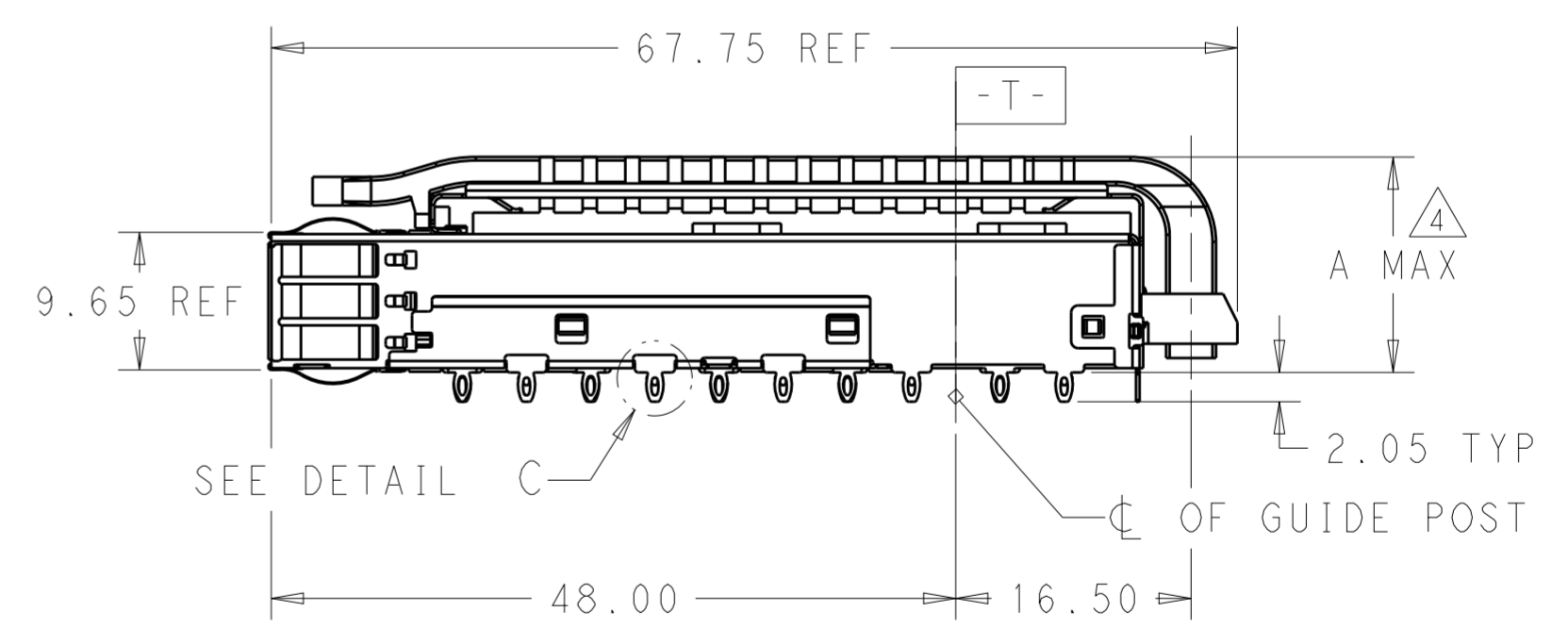
LOC	DIST	REVISIONS					
GP	00	P	LTR	DESCRIPTION	DATE	DWN	APVD
		A		RELEASE	02NOV2016	JY	SH
		B		REVISED PER ECO-20-012918	1AUG2020	JW	SH



- COMPONENTS  
 CAGE ASSEMBLY: NICKEL-SILVER ALLOY  
 HEAT SINK: ALUMINUM/BLACK ANODIZE  
 HEAT SINK CLIP: STAINLESS STEEL  
 EMI SPRING: COPPER ALLOY/NICKEL PLATE  
 LIGHT PIPE: CLEAR POLYCARBONATE WITH UL 94 V-0  
 ORGANIZER: POLYESTER WITH UL 94 V-0
- REFERENCE APPLICATION SPECIFICATION 114-32023 FOR RECOMMENDED DRILL HOLE DIAMETER AND PLATING THICKNESS
- DATUM AND BASIC DIMENSION ESTABLISHED BY CUSTOMER
- DIMENSION APPLIES WITH MODULE INSERTED IN CAGE
- HEAT SINKS, HEAT SINK CLIPS AND LIGHT PIPES ARE SHIPPED ASSEMBLED ON CAGE
- MINIMUM PC BOARD THICKNESS: SINGLE SIDED: 1.57 MIN  
 DOUBLE SIDED: 2.20 MIN
- DATUM **-A-** IS TOP SURFACE OF THE HOST BOARD.
- THESE HOLES ARE OPTIONAL WHEN THE REAR PINS ARE REMOVED.
- MATES WITH QSFP28 MSA COMPATIBLE TRANSCEIVER.
- DATE CODE (YYWWD) MARKED APPROXIMATELY AS SHOWN.



SCALE 2:1



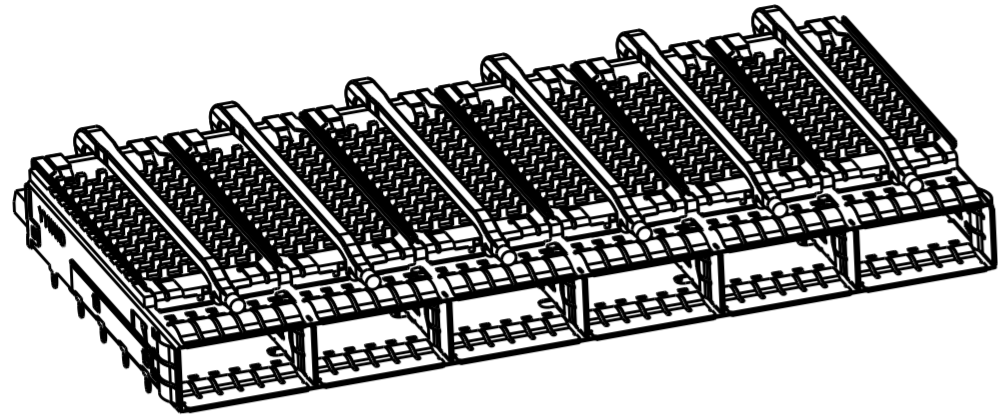
DETAIL C  
 SCALE 6:1

THIS DRAWING IS A CONTROLLED DOCUMENT.		DWN 24OCT2013 JASON YANG	<b>STE</b> TE Connectivity	
		CHK 02NOV2016 SEAN HAN		
DIMENSIONS: mm		TOLERANCES UNLESS OTHERWISE SPECIFIED:		NAME CAGE ASSEMBLY, 1X6, QSFP28 WITH HEAT SINKS AND LIGHT PIPES, THRU BEZEL, EMI SPRING
0 PLC ±		1 PLC ±0.25		PRODUCT SPEC 108-19428
2 PLC ±0.2		3 PLC ±		APPLICATION SPEC 114-32023
4 PLC ±		ANGLES ±		WEIGHT -
MATERIAL SEE NOTES		FINISH SEE NOTES		SIZE A200779
		CUSTOMER DRAWING		DRAWING NO C-2170708
		SCALE 1:1		RESTRICTED TO -
		SHEET 1 OF 9		REV B

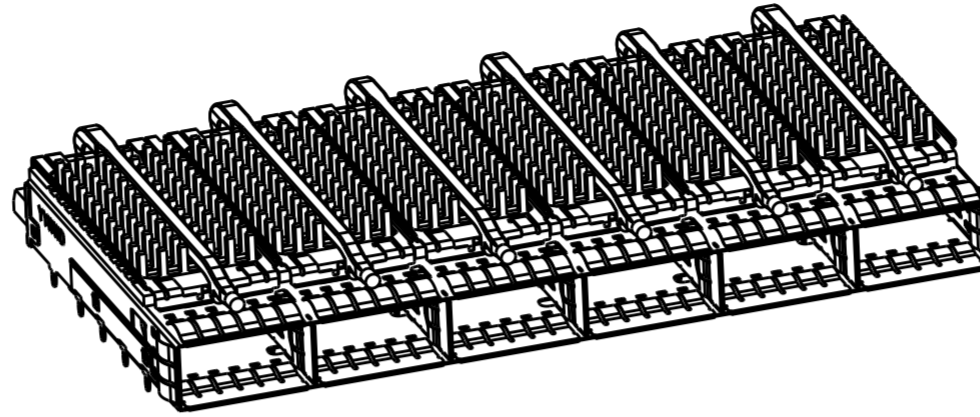
THIS DRAWING IS UNPUBLISHED. RELEASED FOR PUBLICATION 20  
 © COPYRIGHT 20 BY - ALL RIGHTS RESERVED.

LOC	DIST	REVISIONS			
P	LTR	DESCRIPTION	DATE	DWN	APVD
-	-	SEE SHEET 1	-	-	-

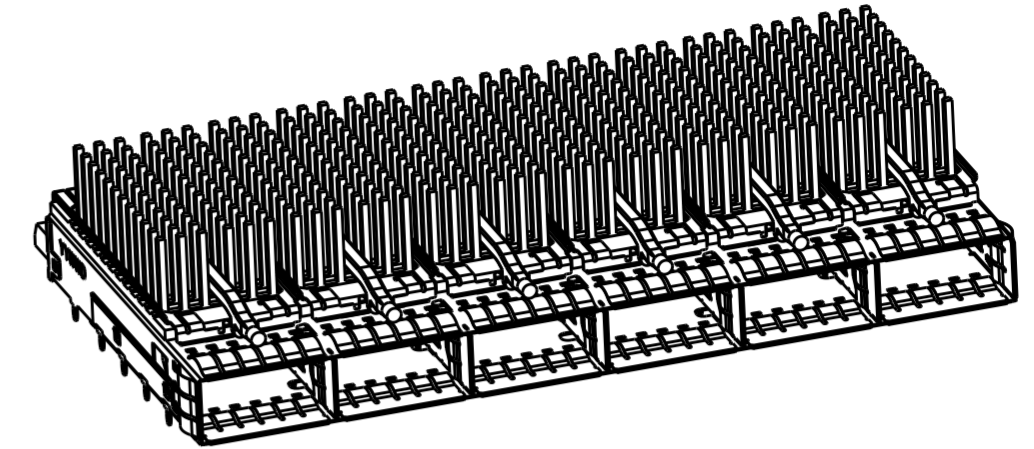
# HEAT SINK OPTION



PCI HEAT SINK  
SCALE 1:1

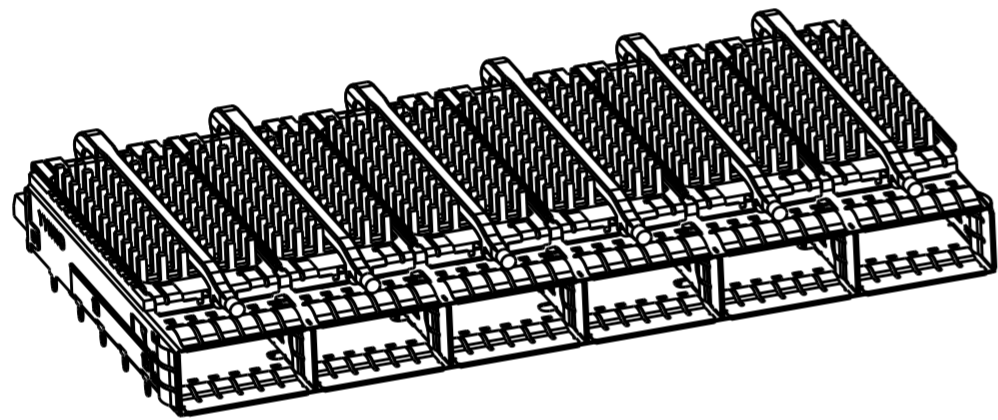


SAN HEAT SINK  
SCALE 1:1

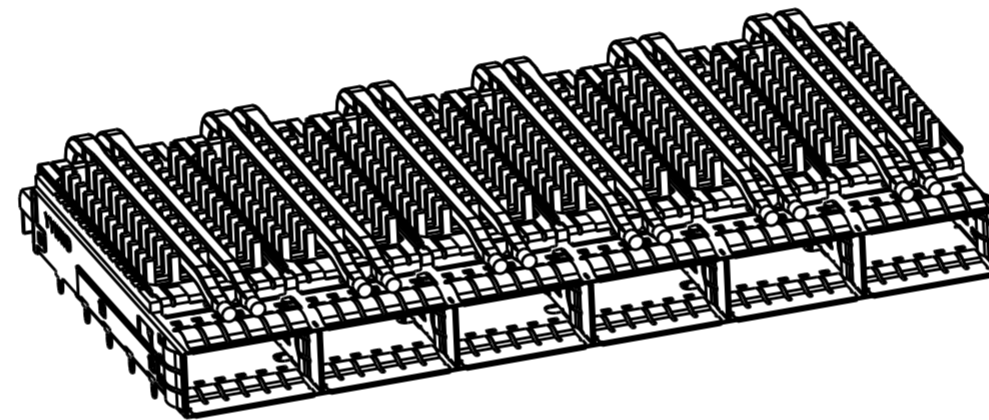


NETWORKING  
SCALE 1:1

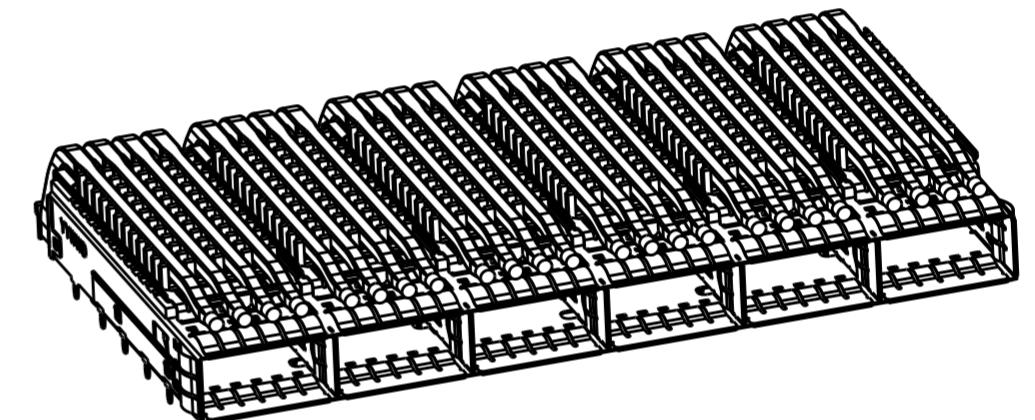
# LIGHT PIPE OPTION



SINGLE LIGHT PIPE  
SCALE 1:1

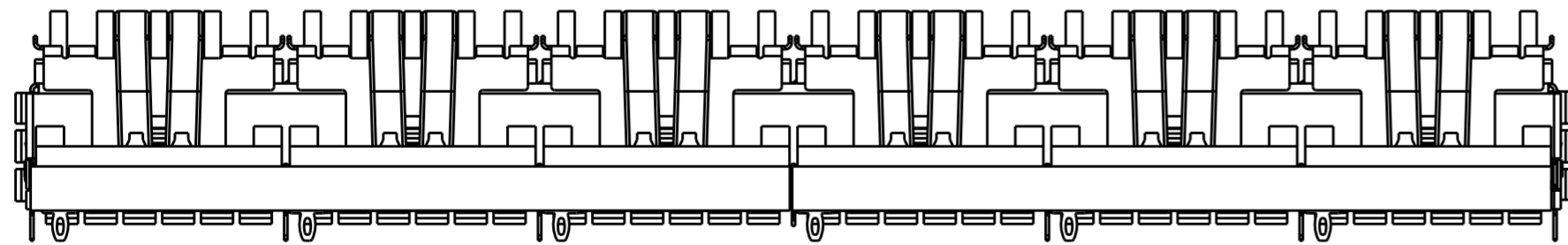


DUAL LIGHT PIPE  
SCALE 1:1

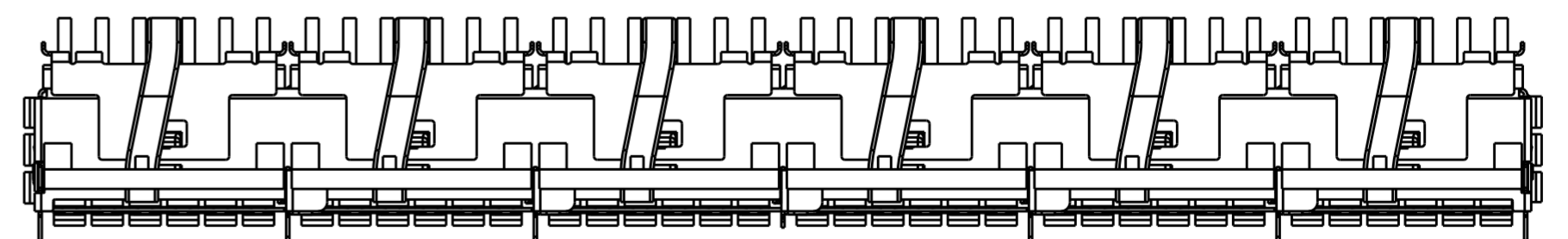


QUAD LIGHT PIPE  
SCALE 1:1


# # OF REAR LEGS OPTIONS



1 REAR LEGS  
SCALE 2:1



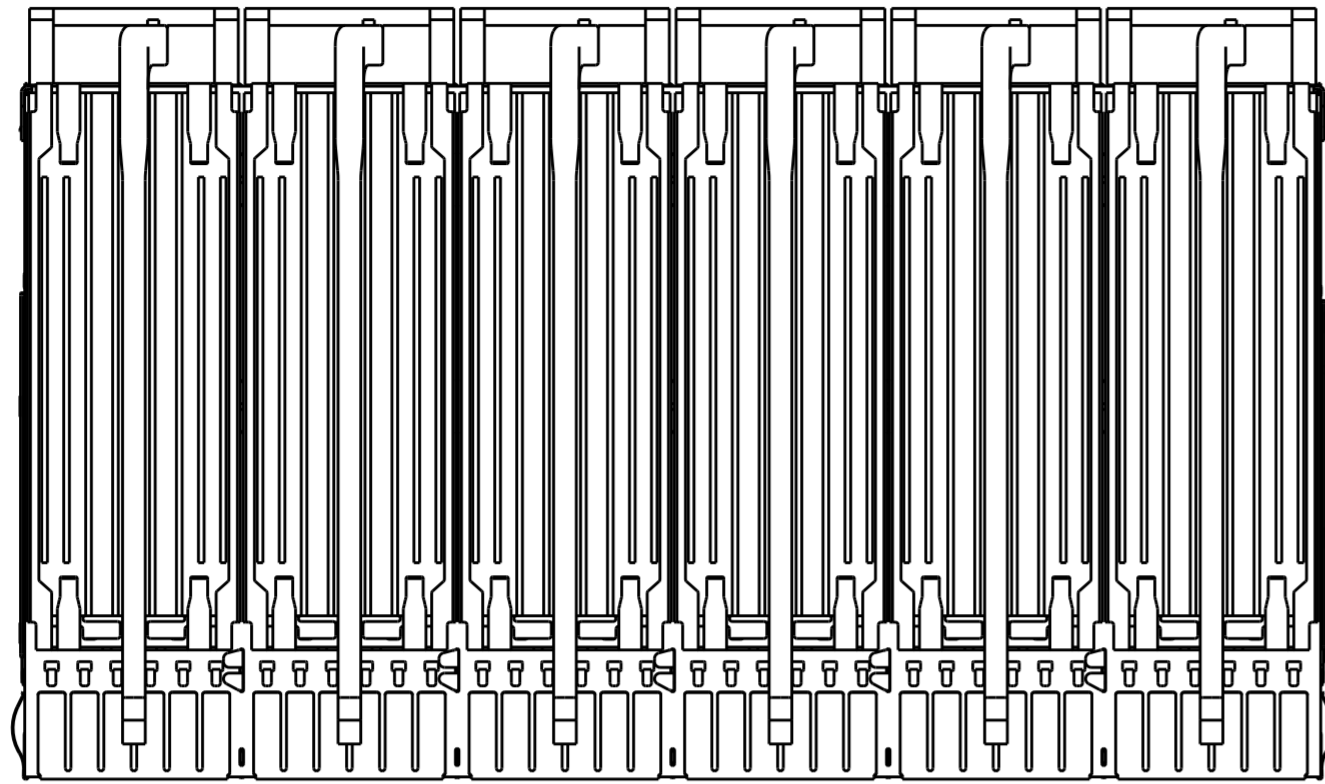
0 REAR LEGS  
SCALE 2:1

THIS DRAWING IS A CONTROLLED DOCUMENT.		DWN JASON YANG 24OCT2013	 TE Connectivity	
		CHK SEAN HAN 02NOV2016		
DIMENSIONS: mm	TOLERANCES UNLESS OTHERWISE SPECIFIED:	APVD -	NAME CAGE ASSEMBLY, 1X6, QSFP28 WITH HEAT SINKS AND LIGHT PIPES, THRU BEZEL, EMI SPRING	RESTRICTED TO
	0 PLC ± 1 PLC ±0.25 2 PLC ±0.2 3 PLC ± 4 PLC ± ANGLES ±	PRODUCT SPEC 108-19428	SIZE A200779	DRAWING NO C-2170708
MATERIAL SEE NOTES material_2	FINISH SEE NOTES finish_spec_2	APPLICATION SPEC 114-32023	WEIGHT -	SCALE 3:1 SHEET 2 OF 9 REV B
		CUSTOMER DRAWING		

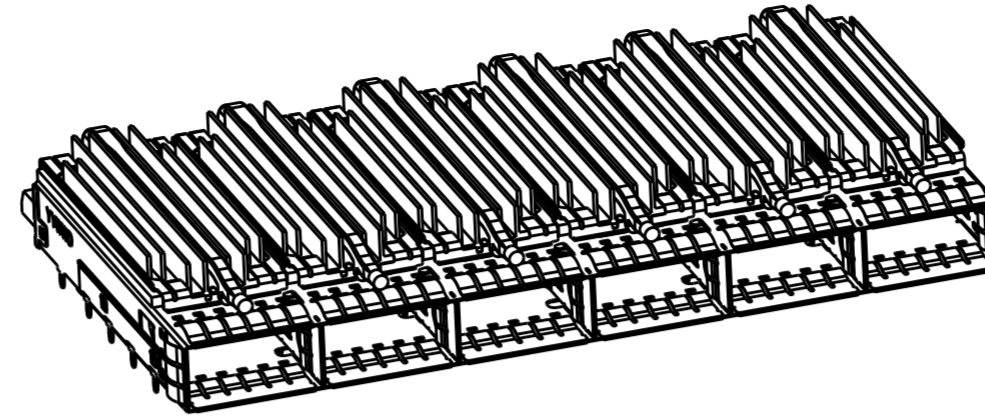
THIS DRAWING IS UNPUBLISHED. RELEASED FOR PUBLICATION 20  
 © COPYRIGHT 20 BY - ALL RIGHTS RESERVED.

LOC	DIST	REVISIONS				
P	LTR	DESCRIPTION	DATE	DWN	APVD	
-	-	SEE SHEET 1	-	-	-	

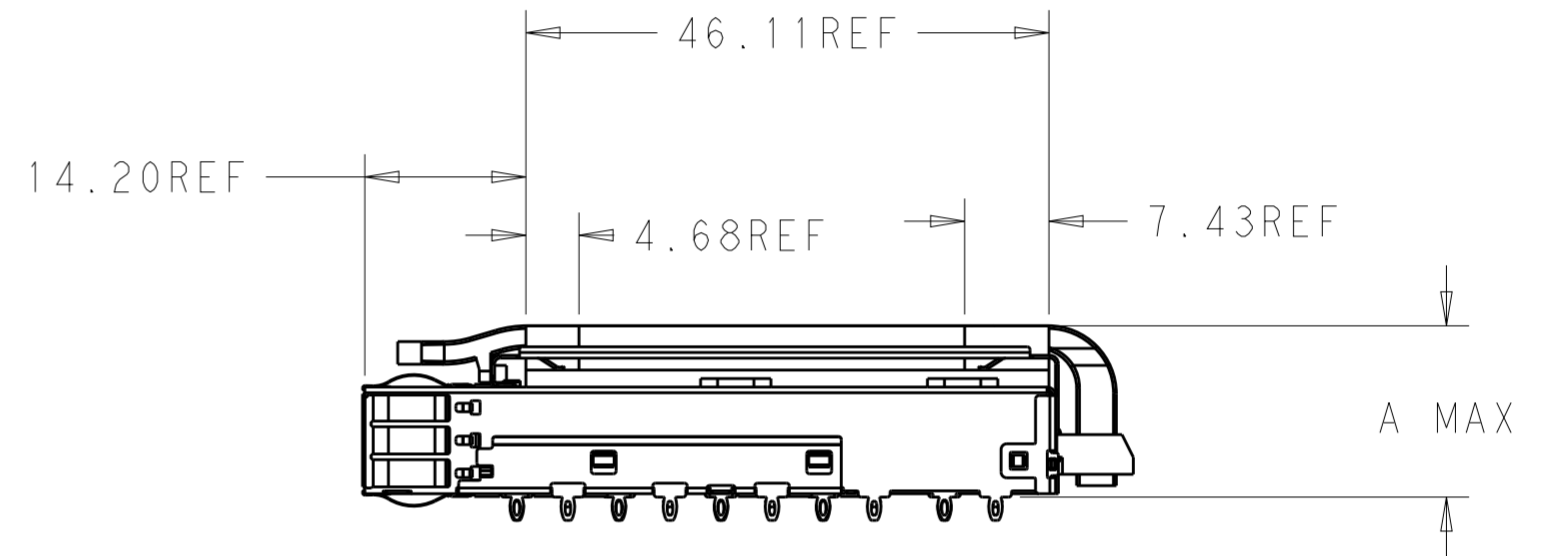
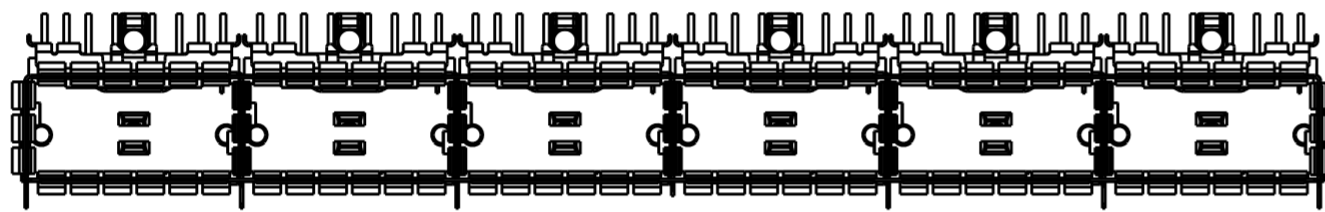
5-2170708-5 UNMARKED DIMENSIONS SAME AS 2170708-1



SCALE 3:2



5-2170708-5  
SCALE 1:1

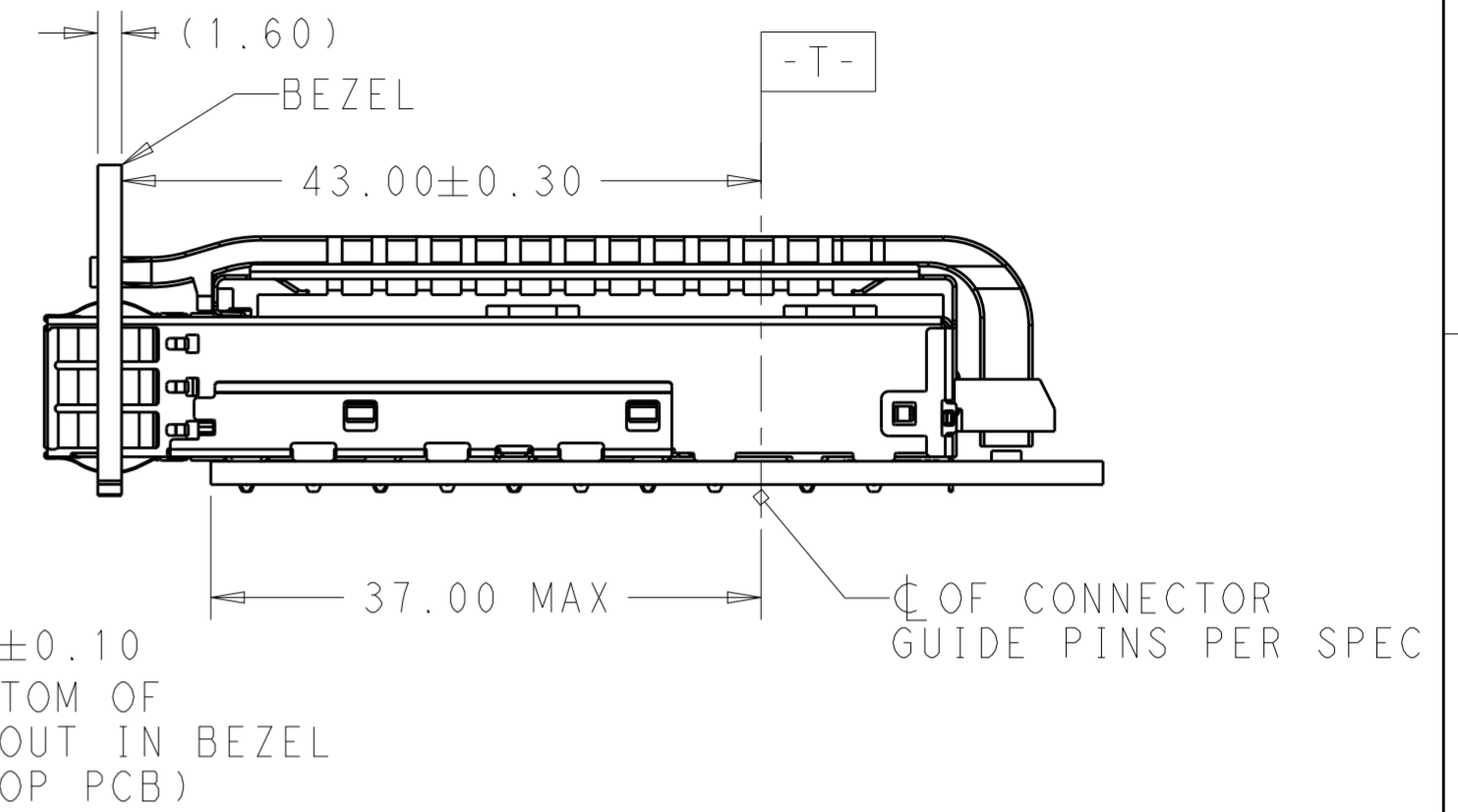
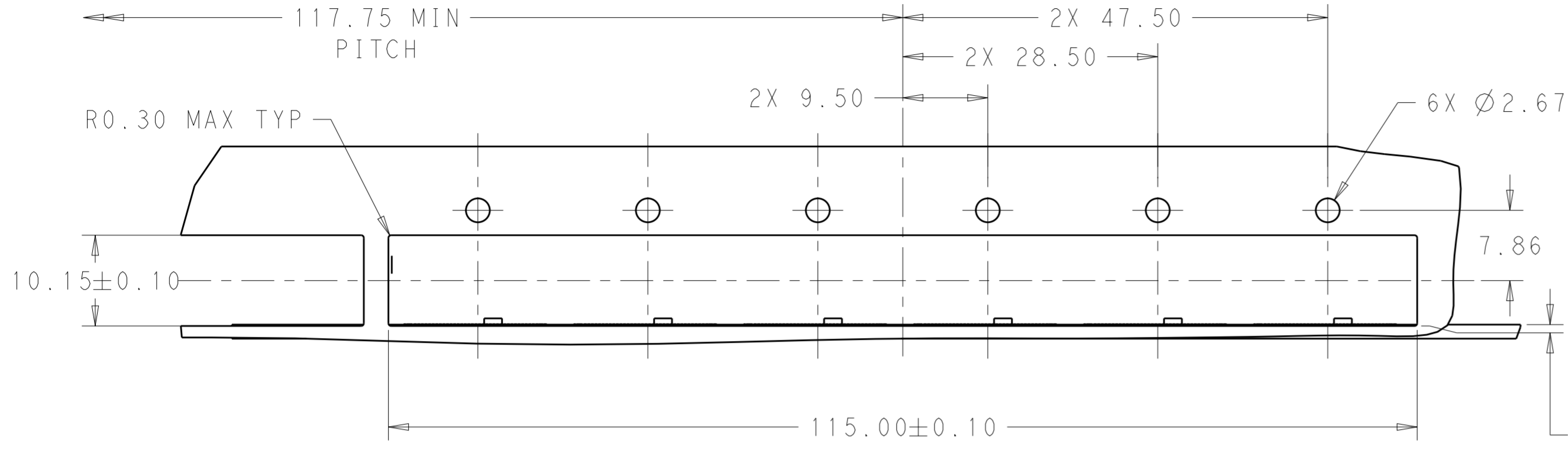


0	16	FIN TYPE , SAN	SINGLE	5-2170708-5
1	14.9	CUSTOMER SPECIFIC	QUAD	4-2170708-7
0	23.0	NETWORKING	QUAD	4-2170708-6
0	16.0	SAN	QUAD	4-2170708-5
0	13.7	PCI	QUAD	4-2170708-4
1	23.0	NETWORKING	QUAD	4-2170708-3
1	16.0	SAN	QUAD	4-2170708-2
1	13.7	PCI	QUAD	4-2170708-1
0	16.5	CUSTOMIZED	DUAL	2-2170708-7
0	23.0	NETWORKING	DUAL	2-2170708-6
0	16.0	SAN	DUAL	2-2170708-5
0	13.7	PCI	DUAL	2-2170708-4
1	23.0	NETWORKING	DUAL	2-2170708-3
1	16.0	SAN	DUAL	2-2170708-2
1	13.7	PCI	DUAL	2-2170708-1
1	14.9	CUSTOMER SPECIFIC	SINGLE	1-2170708-1
0	23.0	NETWORKING	SINGLE	2170708-6
0	16.0	SAN	SINGLE	2170708-5
0	13.7	PCI	SINGLE	2170708-4
1	23.0	NETWORKING	SINGLE	2170708-3
1	16.0	SAN	SINGLE	2170708-2
1	13.7	PCI	SINGLE	2170708-1
# OF REAR PIN	DIM A	APPLICATION	LIGHT PIPE OPTION	PART NUMBER

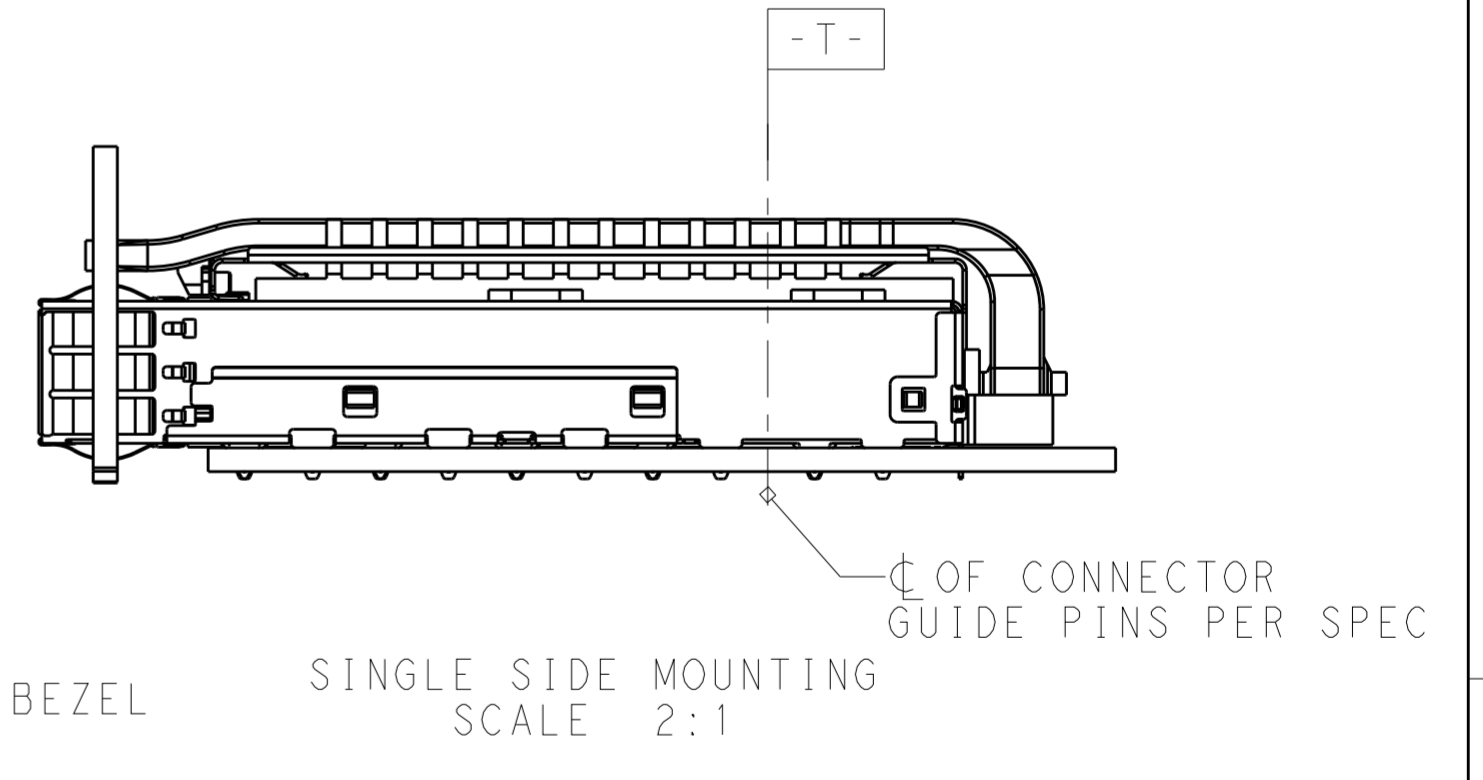
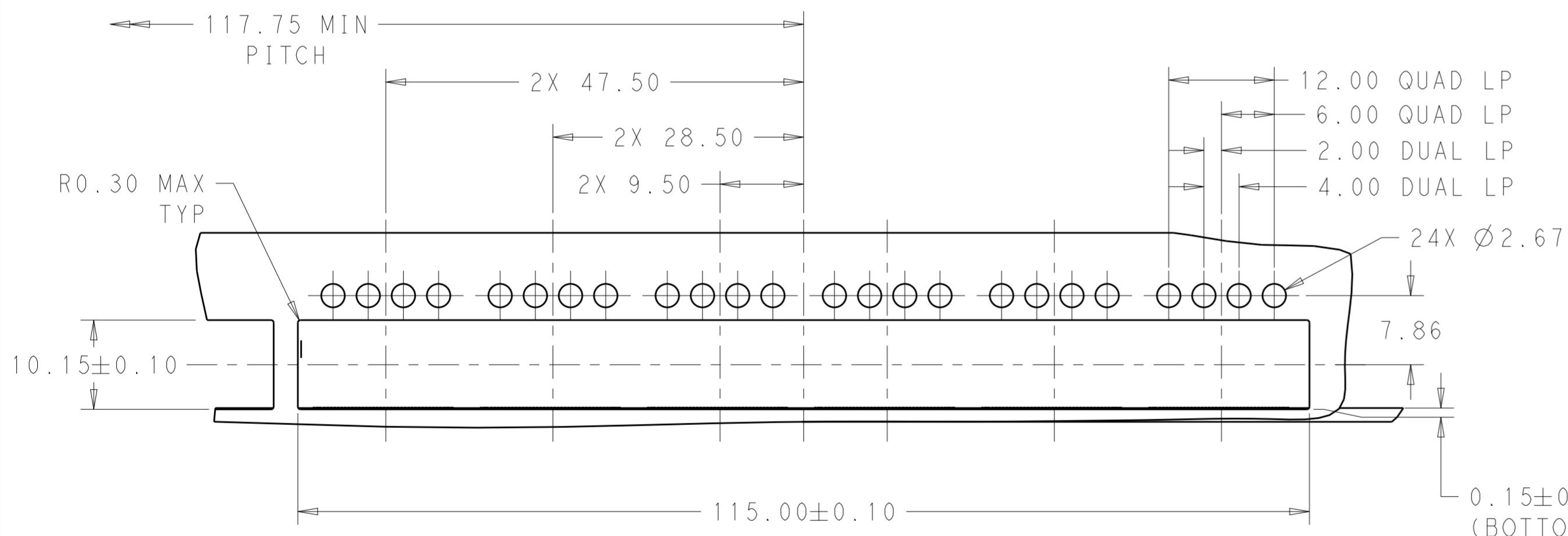
THIS DRAWING IS A CONTROLLED DOCUMENT.		DWN 24OCT2013 JASON YANG	<b>STE</b> TE Connectivity
		CHK 02NOV2016 SEAN HAN	
DIMENSIONS: mm	TOLERANCES UNLESS OTHERWISE SPECIFIED: 0 PLC ± 1 PLC ±0.25 2 PLC ±0.2 3 PLC ± 4 PLC ± ANGLES ±	APVD -	NAME CAGE ASSEMBLY, 1X6, QSFP28 WITH HEAT SINKS AND LIGHT PIPES, THRU BEZEL, EMI SPRING
MATERIAL SEE NOTES material_2	FINISH SEE NOTES finish_spec_2	PRODUCT SPEC 108-19428	SIZE A200779
		APPLICATION SPEC 114-32023	CAGE CODE C-2170708
CUSTOMER DRAWING		WEIGHT -	DRAWING NO C-2170708
SCALE 3:1		SHEET 3 OF 9	REV B

THIS DRAWING IS UNPUBLISHED. RELEASED FOR PUBLICATION 20  
 © COPYRIGHT 20 BY - ALL RIGHTS RESERVED.


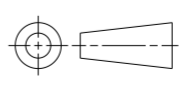
LOC		DIST		REVISIONS			
P	LTR	DESCRIPTION	DATE	DWN	APVD		
-	-	SEE SHEET 1	-	-	-		



SINGLE SIDE MOUNTING  
SCALE 2:1

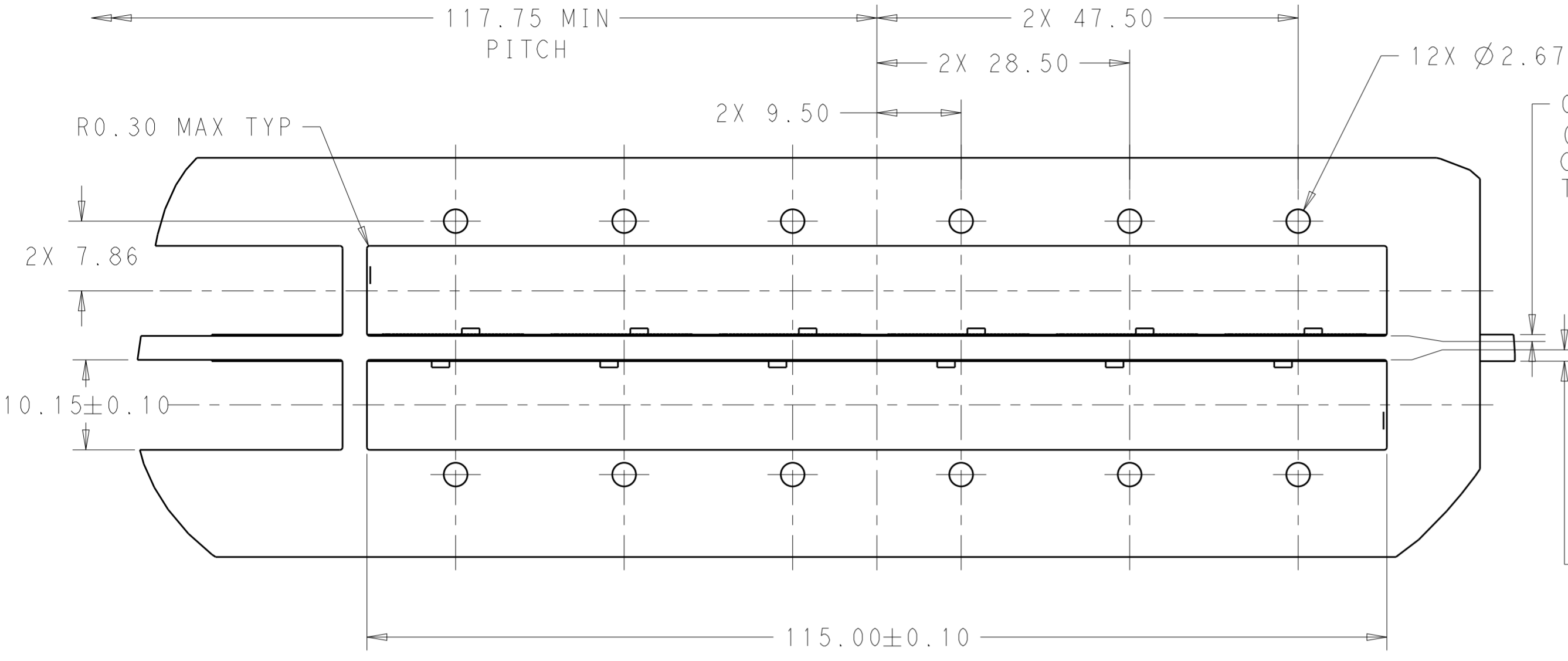


SINGLE SIDE MOUNTING  
SCALE 2:1

THIS DRAWING IS A CONTROLLED DOCUMENT.		DWN JASON YANG 24OCT2013	 TE Connectivity	
		CHK SEAN HAN 02NOV2016		
DIMENSIONS: mm	TOLERANCES UNLESS OTHERWISE SPECIFIED:	APVD -	NAME CAGE ASSEMBLY, 1X6, QSFP28 WITH HEAT SINKS AND LIGHT PIPES, THRU BEZEL, EMI SPRING	RESTRICTED TO
	0 PLC ± 1 PLC ±0.25 2 PLC ±0.2 3 PLC ± 4 PLC ± ANGLES ± FINISH	PRODUCT SPEC 108-19428	SIZE A200779	DRAWING NO C-2170708
MATERIAL SEE NOTES material_2	SEE NOTES finish_spec_2	APPLICATION SPEC 114-32023	WEIGHT -	SCALE 3:1 SHEET 4 OF 9 REV B
		CUSTOMER DRAWING		

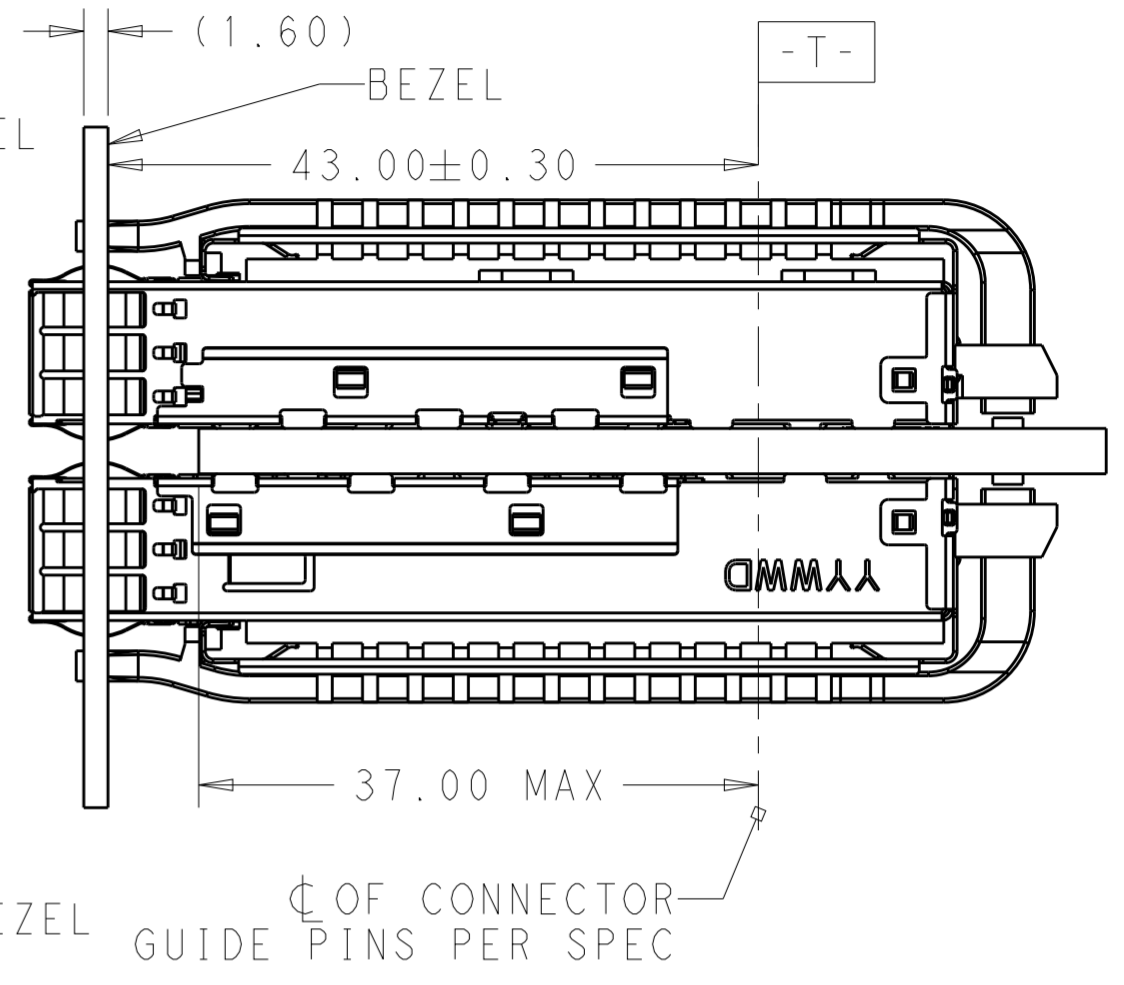
THIS DRAWING IS UNPUBLISHED. RELEASED FOR PUBLICATION 20  
 © COPYRIGHT 20 BY - ALL RIGHTS RESERVED.

LOC		DIST		REVISIONS			
P	LTR	DESCRIPTION	DATE	DWN	APVD		
-	-	SEE SHEET 1	-	-	-		

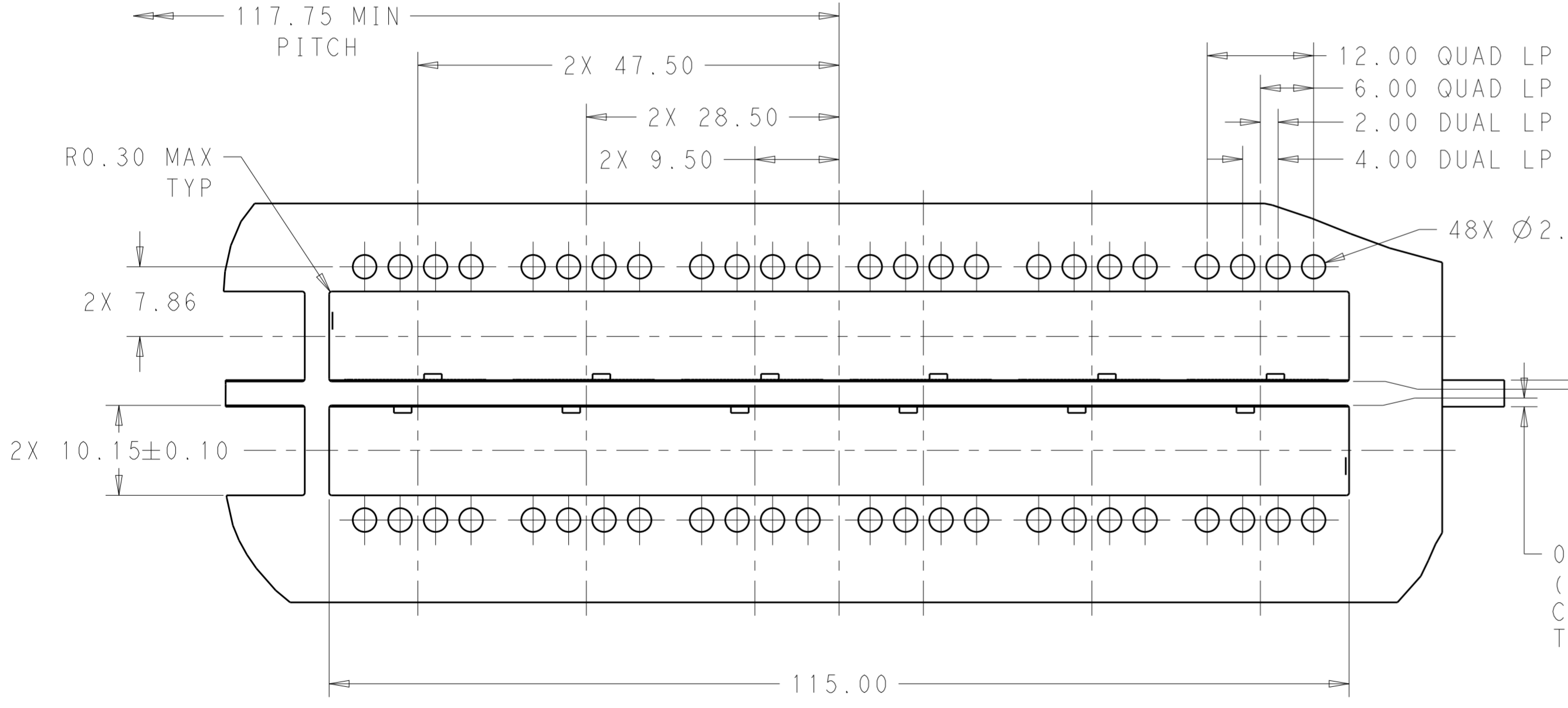


0.15±0.10  
(BOTTOM OF CUT-OUT IN BEZEL TO TOP PCB)

0.15±0.10  
(BOTTOM OF CUT-OUT IN BEZEL TO TOP PCB)

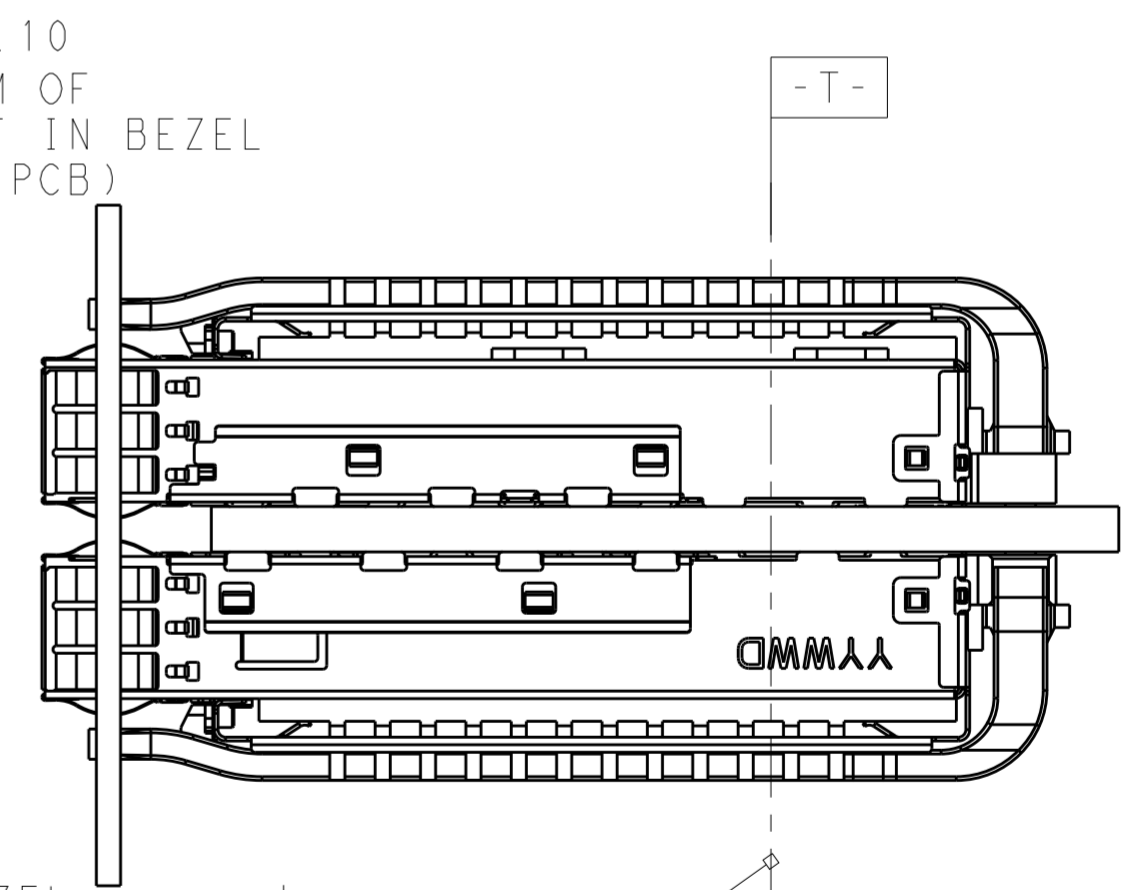


BELLY TO BELLY MOUNTING SCALE 2:1



0.15±0.10  
(BOTTOM OF CUT-OUT IN BEZEL TO TOP PCB)

0.15±0.10  
(BOTTOM OF CUT-OUT IN BEZEL TO TOP PCB)

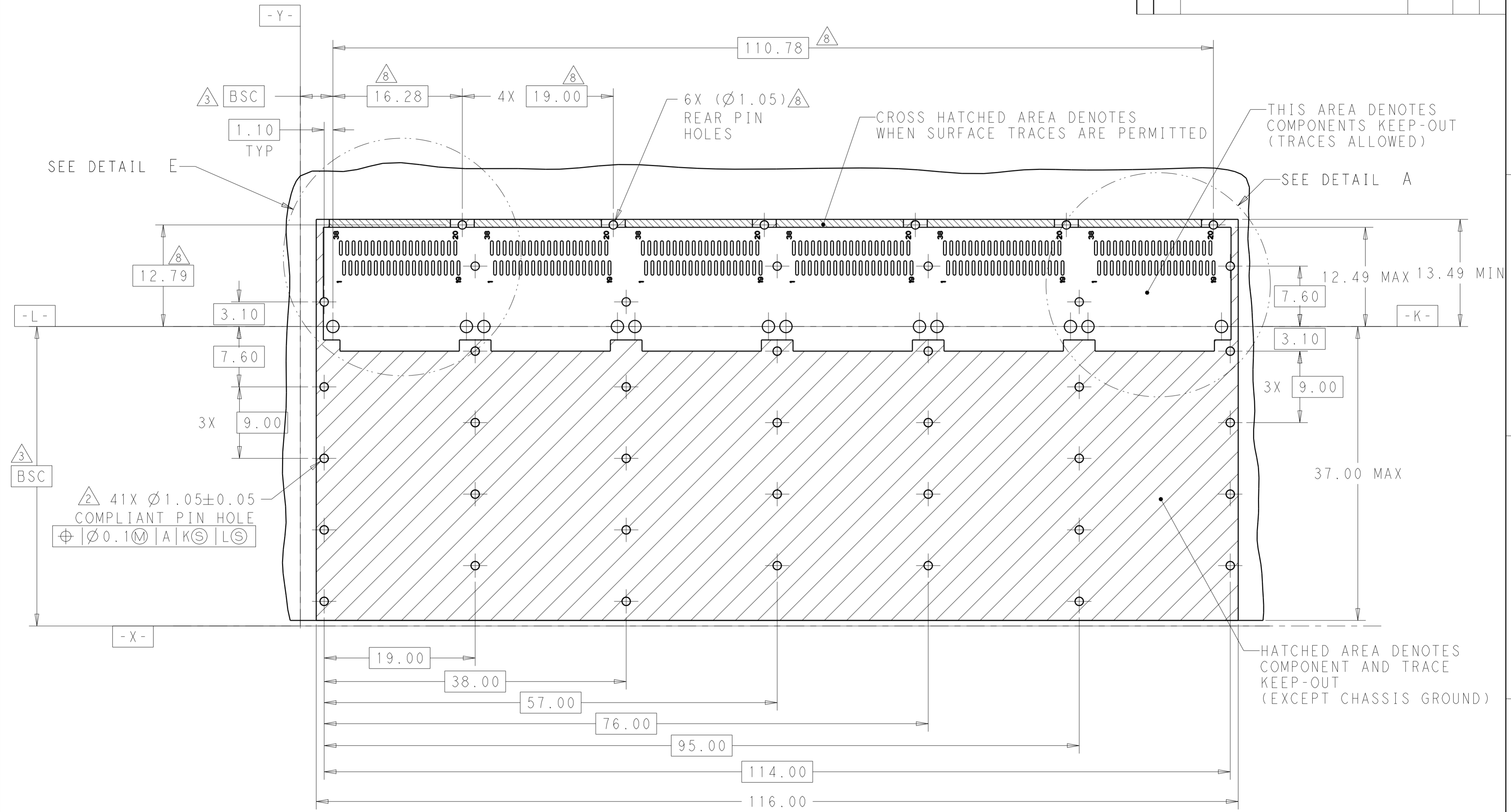


BELLY TO BELLY MOUNTING SCALE 2:1

THIS DRAWING IS A CONTROLLED DOCUMENT.		DWN 24OCT2013 JASON YANG	<b>STE</b> TE Connectivity	
		CHK 02NOV2016 SEAN HAN		
DIMENSIONS:	TOLERANCES UNLESS OTHERWISE SPECIFIED:	APVD -	NAME	
mm	0 PLC ± 1 PLC ±0.25 2 PLC ±0.2 3 PLC ± 4 PLC ±	PRODUCT SPEC	CAGE ASSEMBLY, 1X6, QSFP28 WITH HEAT SINKS AND LIGHT PIPES, THRU BEZEL, EMI SPRING	
	ANGLES ±	APPLICATION SPEC	SIZE	CAGE CODE
MATERIAL	FINISH	114-32023	A200779	DRAWING NO
SEE NOTES material_2	SEE NOTES finish_spec_2	WEIGHT -	C-2170708	RESTRICTED TO
		CUSTOMER DRAWING	SCALE 3:1	SHEET 5 OF 9
				REV B

THIS DRAWING IS UNPUBLISHED. RELEASED FOR PUBLICATION 20  
 © COPYRIGHT 20 BY - ALL RIGHTS RESERVED.

LOC	DIST	REVISIONS			
P	LTR	DESCRIPTION	DATE	DWN	APVD
-	-	SEE SHEET 1	-	-	-

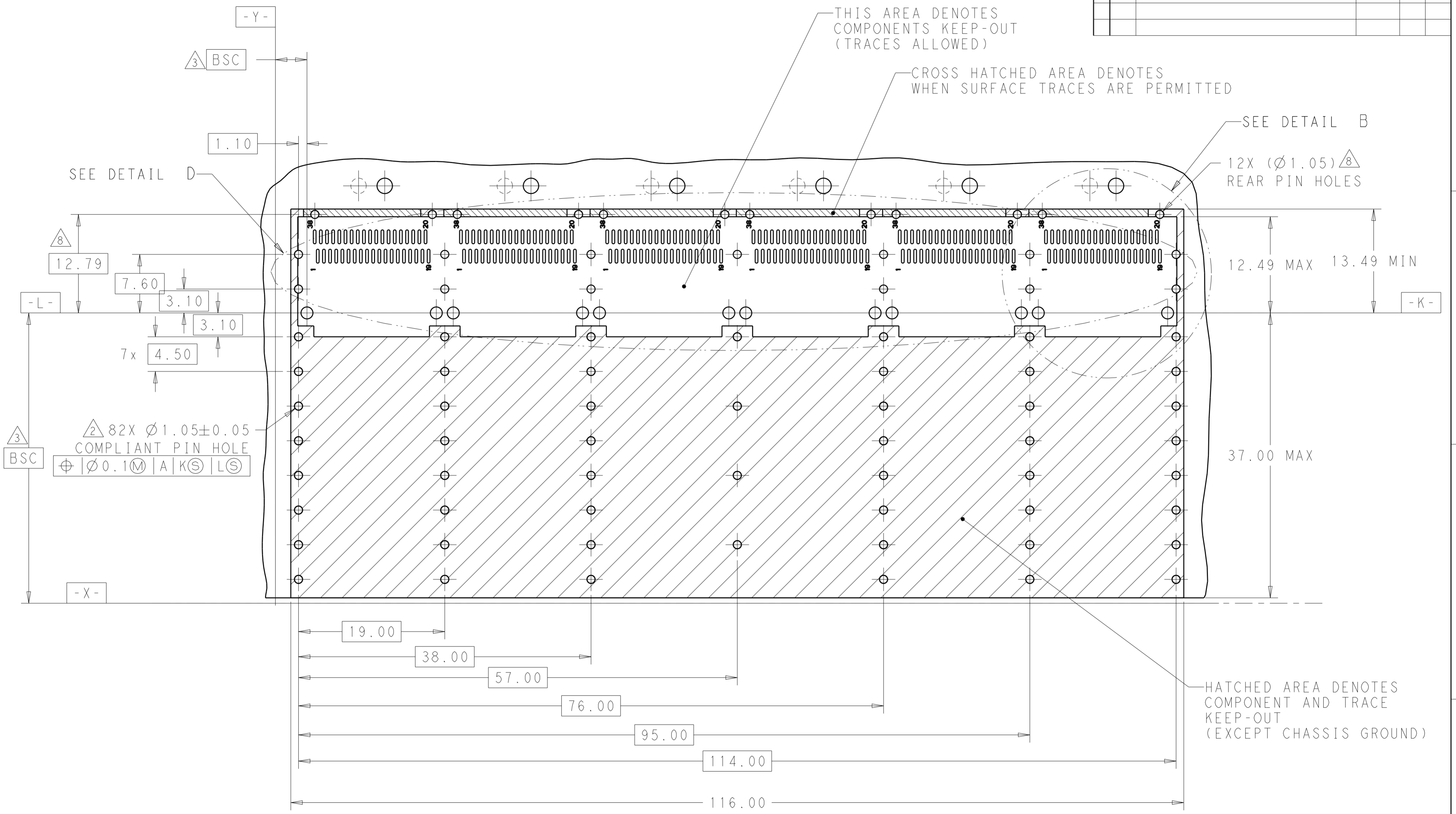


RECOMMENDED PCB LAYOUT  
 SINGLE TYPE  
 PCB TOLERANCE: ±0.05  
 SCALE 3:1

THIS DRAWING IS A CONTROLLED DOCUMENT.		DWN 24OCT2013 JASON YANG	TE Connectivity	
		CHK 02NOV2016 SEAN HAN		
DIMENSIONS: mm		APVD -	NAME CAGE ASSEMBLY, 1X6, QSFP28 WITH HEAT SINKS AND LIGHT PIPES, THRU BEZEL, EMI SPRING	
TOLERANCES UNLESS OTHERWISE SPECIFIED:		PRODUCT SPEC 108-19428	SIZE A2	
0 PLC ±		APPLICATION SPEC 114-32023	CAGE CODE 00779	
1 PLC ±0.25		WEIGHT -	DRAWING NO C-2170708	
2 PLC ±0.2		RESTRICTED TO -		
3 PLC ±		SCALE 3:1 SHEET 6 OF 9 REV B		
4 PLC ±		CUSTOMER DRAWING		
ANGLES ±				
FINISH SEE NOTES				
MATERIAL SEE NOTES material_2				
finish_spec_2				

THIS DRAWING IS UNPUBLISHED. RELEASED FOR PUBLICATION 20  
 © COPYRIGHT 20 BY - ALL RIGHTS RESERVED.

LOC	DIST	REVISIONS			
P	LTR	DESCRIPTION	DATE	DWN	APVD
-	-	SEE SHEET 1	-	-	-

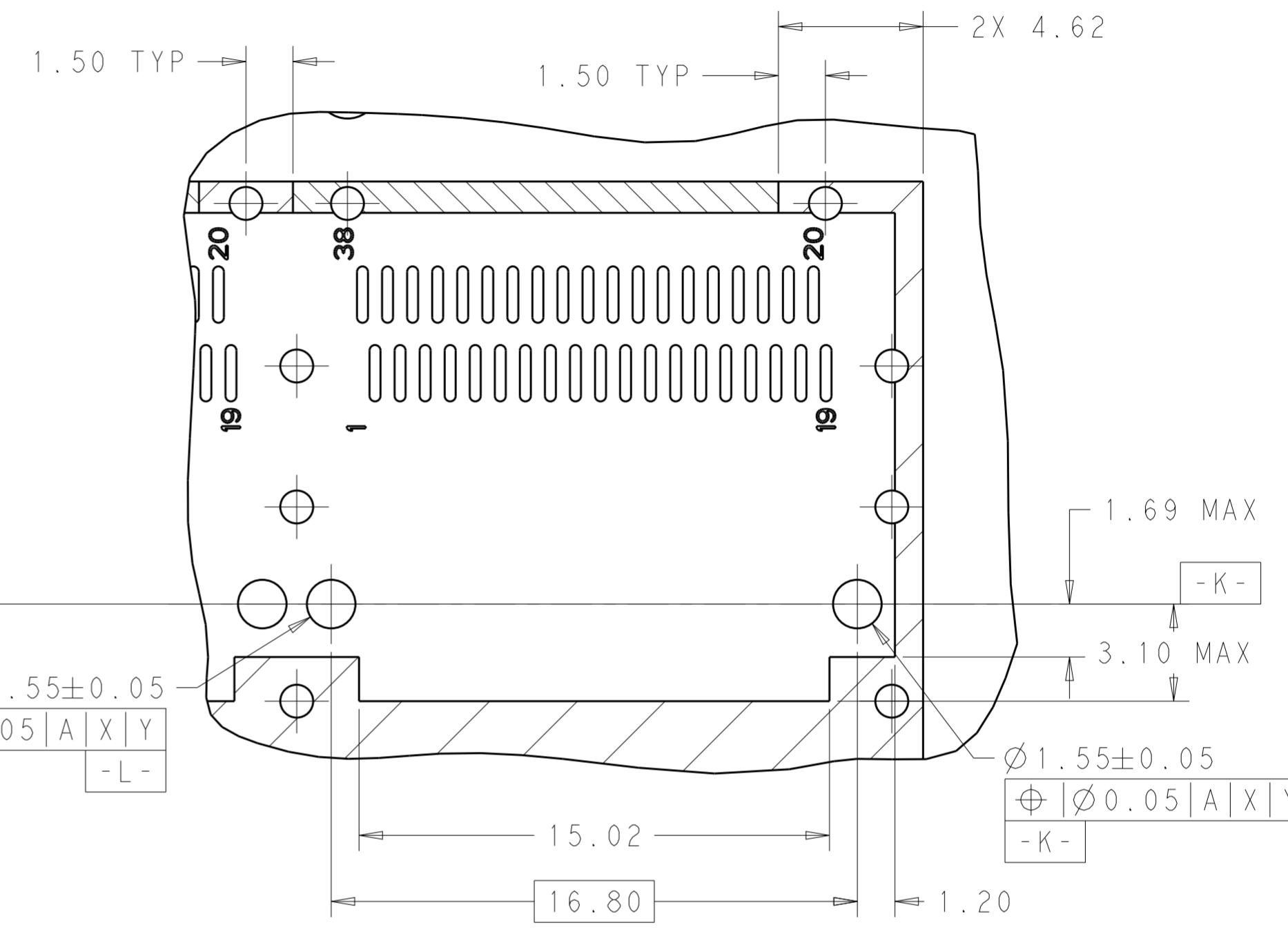


RECOMMENDED PCB LAYOUT  
 BELLY TO BELLY TYPE  
 PCB TOLERANCE: ±0.05  
 SCALE 3:1

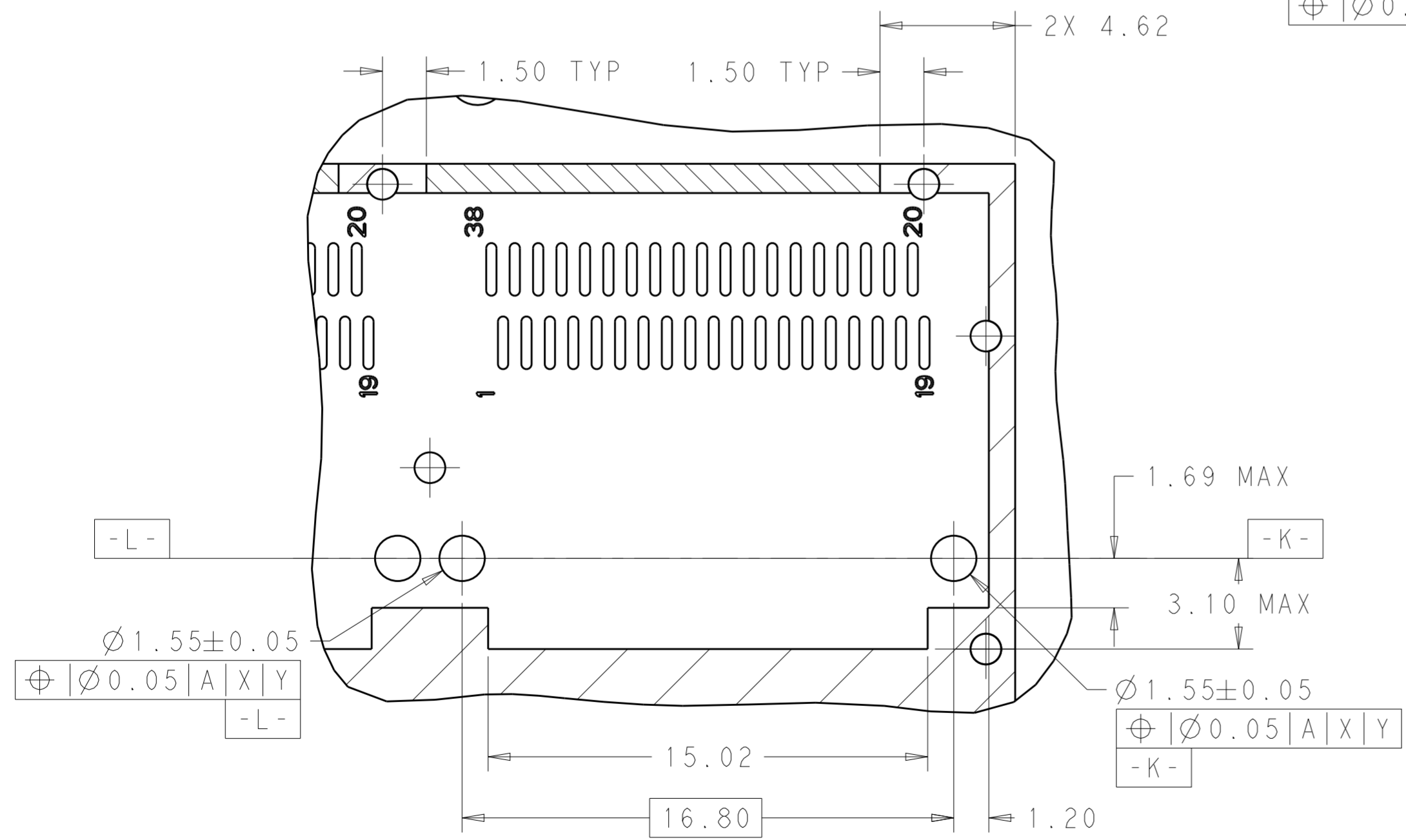
THIS DRAWING IS A CONTROLLED DOCUMENT.		DWN JASON YANG 24OCT2013	TE Connectivity	
		CHK SEAN HAN 02NOV2016		
DIMENSIONS: mm		TOLERANCES UNLESS OTHERWISE SPECIFIED:		NAME CAGE ASSEMBLY, 1X6, QSP28 WITH HEAT SINKS AND LIGHT PIPES, THRU BEZEL, EMI SPRING
		0 PLC ±	1 PLC ±0.25	PRODUCT SPEC 108-19428
MATERIAL SEE NOTES material_2		2 PLC ±0.2	3 PLC ±	APPLICATION SPEC 114-32023
FINISH SEE NOTES finish_spec_2		4 PLC ±	ANGLES ±	SIZE A200779
		CUSTOMER DRAWING		DRAWING NO C-2170708
		SCALE 3:1		RESTRICTED TO -
		SHEET 7 OF 9		REV B

THIS DRAWING IS UNPUBLISHED. RELEASED FOR PUBLICATION 20  
 © COPYRIGHT 20 BY - ALL RIGHTS RESERVED.


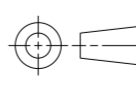
LOC	DIST	REVISIONS			
P	LTR	DESCRIPTION	DATE	DWN	APVD
-	-	SEE SHEET 1	-	-	-



DETAIL B  
SCALE 6:1



DETAIL A  
SCALE 6:1

THIS DRAWING IS A CONTROLLED DOCUMENT.		DWN 24OCT2013 JASON YANG	 TE Connectivity
		CHK 02NOV2016 SEAN HAN	
DIMENSIONS: mm	TOLERANCES UNLESS OTHERWISE SPECIFIED:	APVD -	NAME CAGE ASSEMBLY, 1X6, QSFP28 WITH HEAT SINKS AND LIGHT PIPES, THRU BEZEL, EMI SPRING
	0 PLC ± 1 PLC ±0.25 2 PLC ±0.2 3 PLC ± 4 PLC ±	PRODUCT SPEC 108-19428	SIZE A200779
MATERIAL SEE NOTES material_2	FINISH SEE NOTES finish_spec_2	APPLICATION SPEC 114-32023	DRAWING NO C-2170708
		WEIGHT -	RESTRICTED TO -
		CUSTOMER DRAWING	SCALE 3:1 SHEET 8 OF 9 REV B