

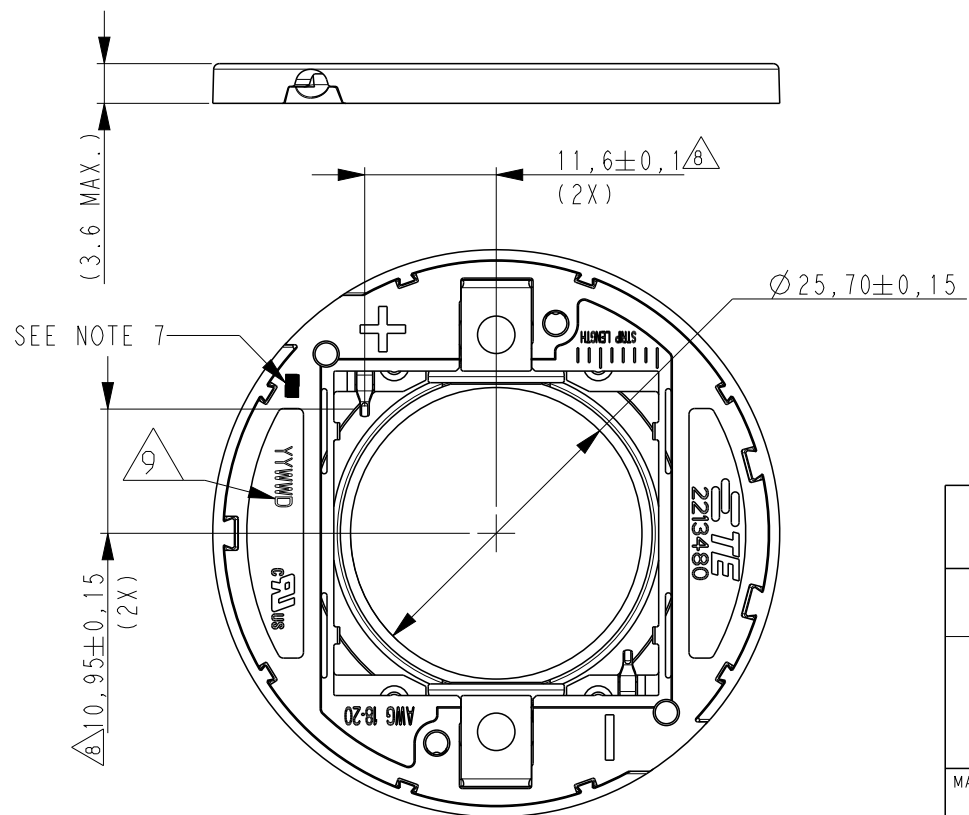
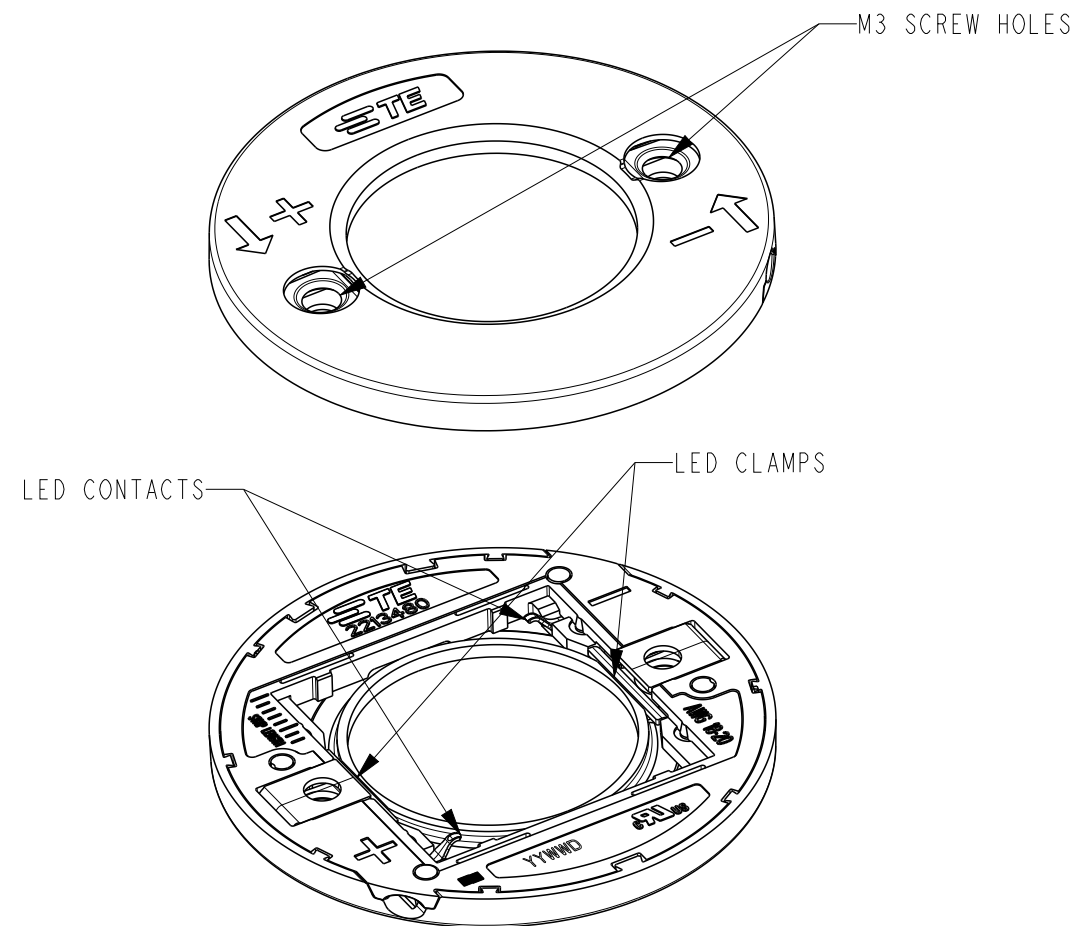
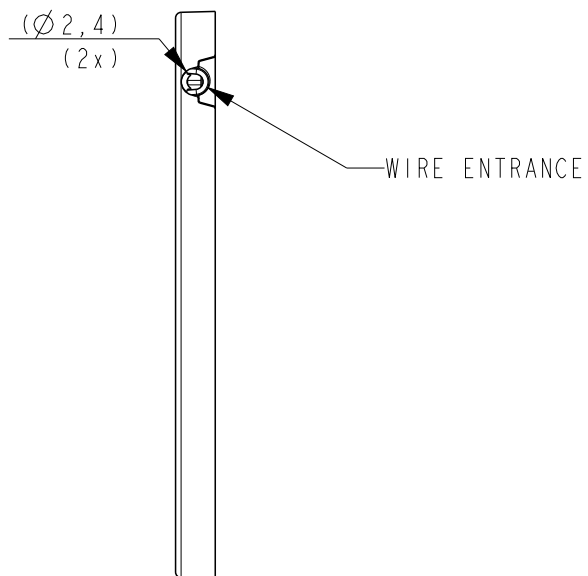
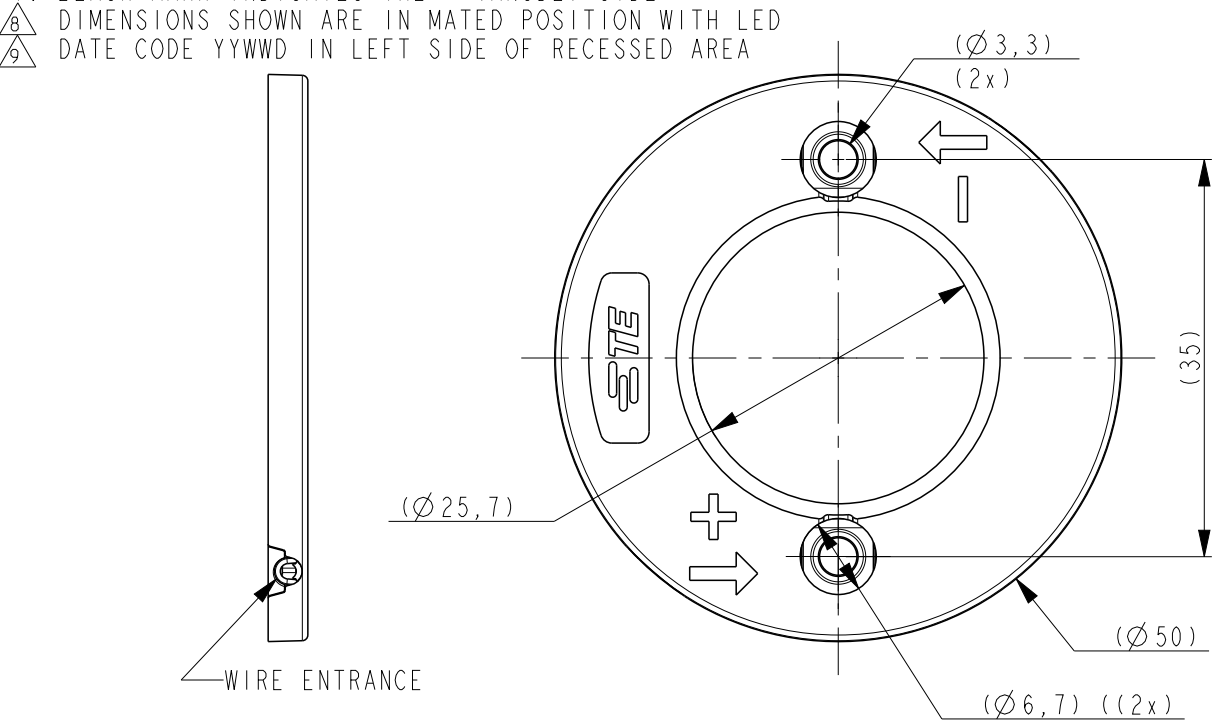
THIS DRAWING IS UNPUBLISHED. RELEASED FOR PUBLICATION
 © COPYRIGHT - BY TYCO ELECTRONICS CORPORATION. ALL RIGHTS RESERVED.

LOC	DIST	REVISIONS					
H	-	P	LTR	DESCRIPTION	DATE	DWN	APVD
			C6	ECR-19-000064	04JAN2019	SR	DD
			C7	ECR-19-013004	23AUG2019	SR	JL
			C8	ECR-19-018313	25NOV2019	SR	JL
			C9	ECR-20-000836	23JAN2020	SB	JL

NOTES:

- MATERIALS:
HOUSING: GLASS FILLED PBT, HALOGEN FREE FLAME RETARDANT
COLOR : WHITE
CONTACTS: GOLD PLATED COPPER ALLOY
- FOR WIRE TYPES AWG 18 AND 20 AWG.
- COMPLIES WITH DIRECTIVE 2002/95/EC (ROHS)
- WIRE STRIP LENGTH: 7-8 mm
- MAX. WIRE INSULATION OUTER DIAM.: $\varnothing 2.3\text{mm}$.
- RECOMMENDED SCREW TORQUE: 0.4 - 0.6 Nm.
- IN ORDER TO CREATE A FLAT OPTIC LANDING ZONE ON HOLDER A COUNTERSUNK SCREW CAN BE USED, I.E. SCREW-TYPE ISO 10642.
- BLACK MARK INDICATES THE + (ANODE) SIDE

\triangle DUE TO HIGH LUMEN OUTPUT CARE MUST BE TAKEN TO DESIGN OPTICAL SYSTEM TO ENSURE LIGHT DOES NOT REACH HOLDER.
 11. FOR COB-TO-HOLDER CROSS REFERENCE, REFER TO APPLICATION SPECIFICATION 114-32208.



PART NO	DESCRIPTION	PACKAGING
4-2213480-1	Z50 LED HOLDER 2828	10 PIECES IN TRAY 56 TRAYS PER SHIPPING BOX
2-2213480-1	Z50 LED HOLDER 2828	2x10 PIECES IN TRAY AND BOX 25 BOXES IN SHIPPING BOX
1-2213480-1	Z50 LED HOLDER 2828	2x10 PIECES IN TRAY AND BOX 25 BOXES IN SHIPPING BOX
2213480-2	LUMAWISE Z50 LED holder 2727 general	2x5 PIECES IN TRAY 56 TRAYS IN SHIPPING BOX
2213480-1	LUMAWISE Z50 LED holder 2828 general	2x5 PIECES IN TRAY 56 TRAYS IN SHIPPING BOX

THIS DRAWING IS A CONTROLLED DOCUMENT.		DWN 08APRIL2014 P. POORTER	STE TE Connectivity	
DIMENSIONS: mm		CHK 08APRIL2014 O. LEIJNSE		
TOLERANCES UNLESS OTHERWISE SPECIFIED:		APVD 08APRIL2014 O. LEIJNSE	NAME LUMAWISE Z50 high performance LED HOLDER	
0 PLC ±-		PRODUCT SPEC 108-133018	SIZE CAGE CODE DRAWING NO RESTRICTED TO	
1 PLC ±-		APPLICATION SPEC 114-133019	A3 00779 C-2213480	
2 PLC ±-		WEIGHT	SCALE 3:2 SHEET 1 OF 3 REV C9	
3 PLC ±-				
4 PLC ±-				
ANGLES ±-				
FINISH				
MATERIAL		Customer Drawing		

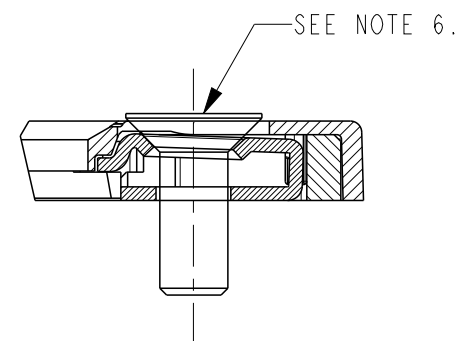
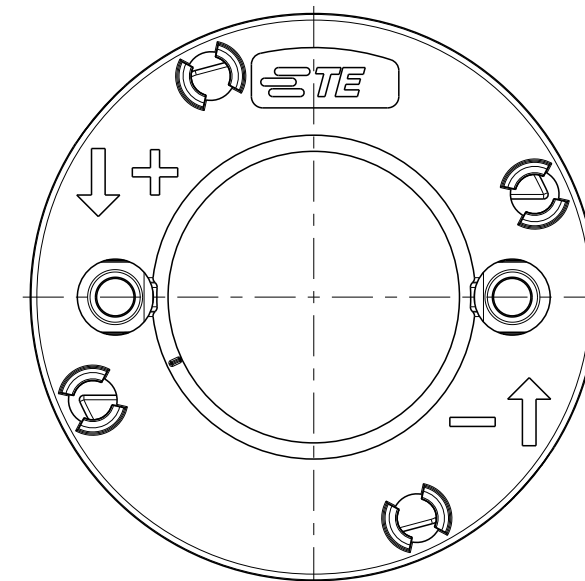
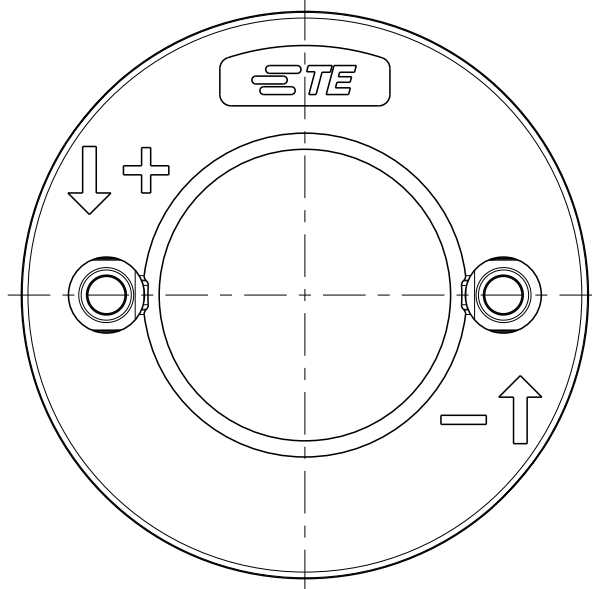
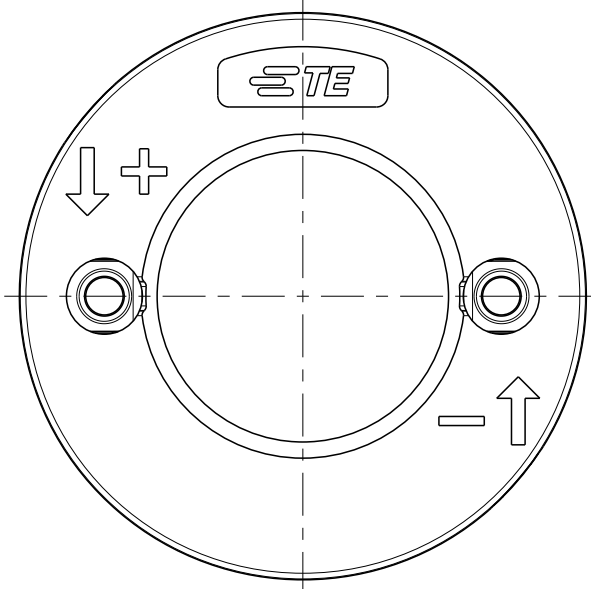
THIS DRAWING IS UNPUBLISHED. RELEASED FOR PUBLICATION
 © COPYRIGHT - BY TYCO ELECTRONICS CORPORATION. ALL RIGHTS RESERVED.

LOC	DIST	REVISIONS			
P	LTR	DESCRIPTION	DATE	DWN	APVD
H	-	SEE SHEET 1	-	-	-

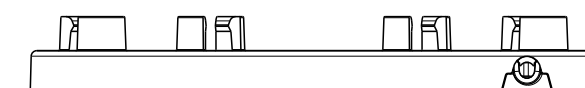
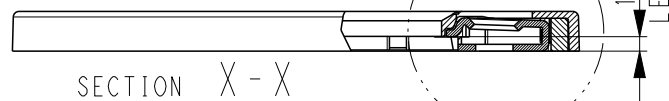
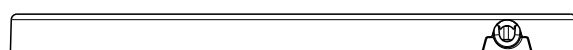
2213480-1 AS SHOWN

2213480-2 AS SHOWN

4-2213480-1 AS SHOWN

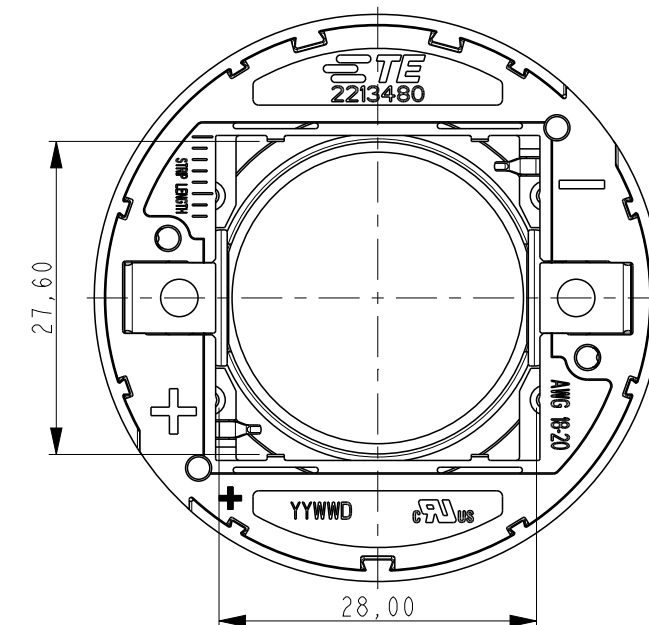
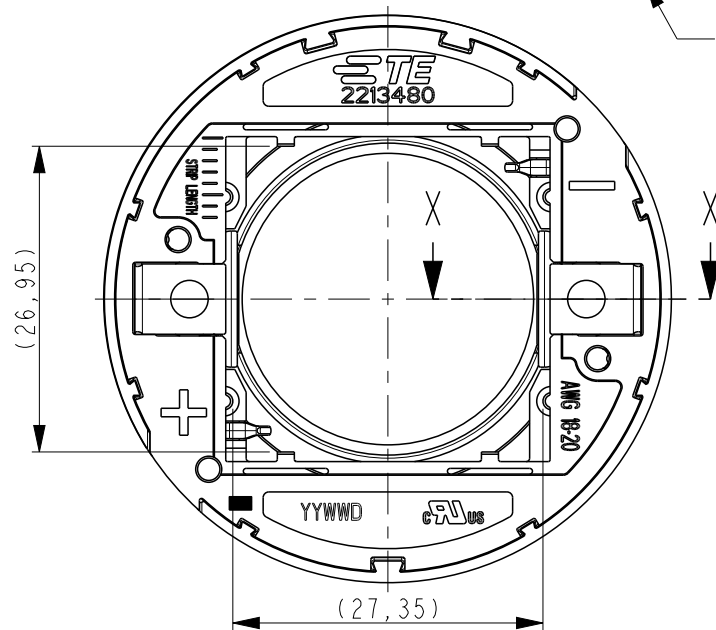
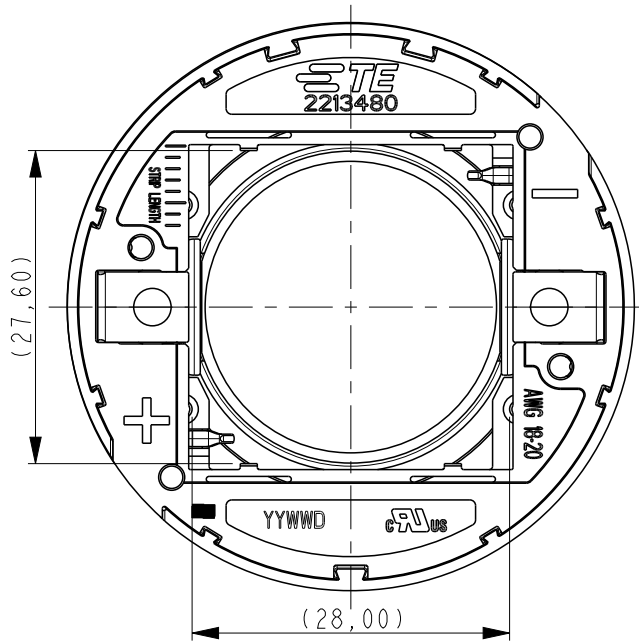



DETAIL A
SCALE 3:1



SECTION X-X

SEE DETAIL A



THIS DRAWING IS A CONTROLLED DOCUMENT.		DWN P. POORTER 08APRIL2014	 TE Connectivity	
DIMENSIONS: mm		CHK O. LEIJNSE 08APRIL2014		
TOLERANCES UNLESS OTHERWISE SPECIFIED:		APVD O. LEIJNSE 08APRIL2014	NAME LUMAWISE Z50 high performance LED HOLDER	
0 PLC ±- 1 PLC ±- 2 PLC ±- 3 PLC ±- 4 PLC ±- ANGLES ±-		PRODUCT SPEC 108-133018	RESTRICTED TO	
MATERIAL -		FINISH -	APPLICATION SPEC 114-133019	SIZE A3
			WEIGHT -	CAGE CODE 00779
			Customer Drawing	DRAWING NO C-2213480
				SCALE 3:2
				SHEET 2 OF 3
				REV C9