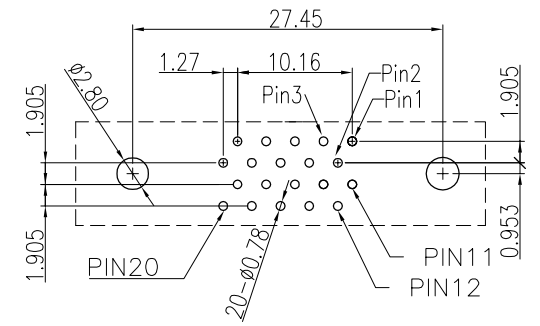
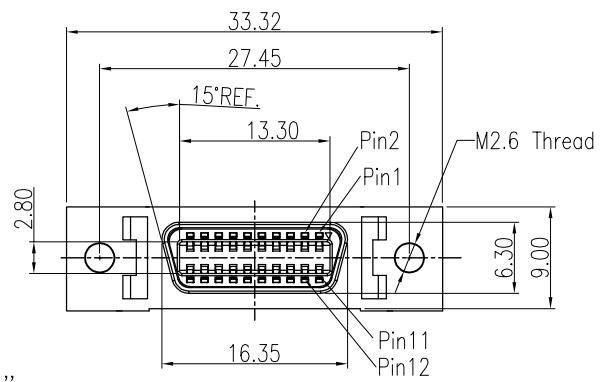


THIS DRAWING IS UNPUBLISHED. RELEASED FOR PUBLICATION
 © COPYRIGHT - by - ALL RIGHTS RESERVED.

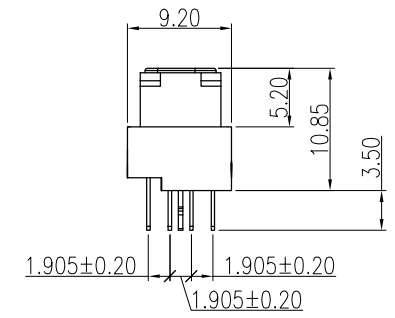
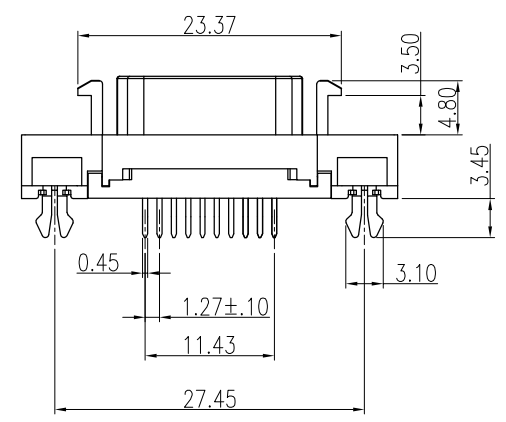
LOC		DIST		REVISIONS			
P	LTR	DESCRIPTION	DATE	OWN	APVD		
A1		ADD 26PIN P/N	14SEP2015	F.Y	X.X		

NOTE:

1. MATERIAL:
 - 1.1 HOUSING:PBT UL94-V0,BLACK
 - 1.2 SPACER:PBT UL94-V0,BLACK
 - 1.3 CONTACT:PH/BR (C5191H) T=0.30
 - 1.4 SHELL:ZINC ALLOY
 - 1.5 HOOK:PH/BR(C5191-EH) T=0.40
2. FINISH
 - 2.1 CONTACT PLATING:
 - 50u" NICKEL PLATING OVERALL,
 - CONTACT AREA PLATED:GOLD 3u" OR 10u" OR 30u"
 - SOLDER AREA PLATED:TIN 100u" MIN. LEAD FREE
 - 2.2 SHELL PLATING:
 - NICKEL 100u" MIN PLATED OVER Cu 150u" MIN
 - 2.3 HOOK PLATING:
 - TIN 100u" MIN PLATED OVER NICKEL 50u" MIN
3. VOLTAGE RATING:200V AC.
4. CURRENT RATING:1A
5. WITHSTANDING VOLTAGE:500V AC for 1 MINUTE.
6. OPERATION TEMPERATURE:-55°C~+85°C
7. PRODUCT MUST MEET CONTROLLED SUBSTANCES PER TE SPEC 230-702,REVISION F



Recommended P.C.B Layout (Top Side)
 (PCB BOARD TOLERANCE±0.05)



20	3u"	2-2271287-4
	30u"	2-2271287-2
	10u"	2-2271287-1
POS	CONTACT PLATING	P/N

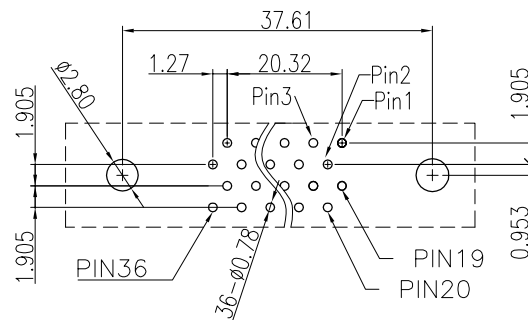
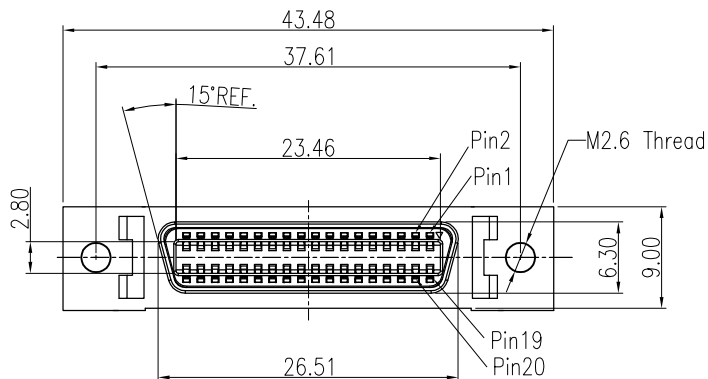
THIS DRAWING IS A CONTROLLED DOCUMENT.		FENCER YU 14-JAN-2015		TE Connectivity	
CHK KOBBY ZHAO 14-JAN-2015		APVD YU XIANG 14-JAN-2015		NAME	
DIMENSIONS: mm		TOLERANCES UNLESS OTHERWISE SPECIFIED:		1.27 PITCH VERTICAL TYPE SCSI RECEPTACLE WITH HOOK	
0 PLC ± -		1 PLC ± 0.40		PRODUCT SPEC 108-106126	
2 PLC ± 0.25		3 PLC ± -		APPLICATION SPEC	
4 PLC ± -		ANGLES ± -		SIZE CAGE CODE DRAWING NO	
MATERIAL		WEIGHT		A2 00779 C= 2271287	
SEE NOTES		SEE NOTES		RESTRICTED TO	
		CUSTOMER DRAWING		SCALE SHEET 1 of 3 REV A1	

THIS DRAWING IS UNPUBLISHED. RELEASED FOR PUBLICATION
 © COPYRIGHT - by - ALL RIGHTS RESERVED.

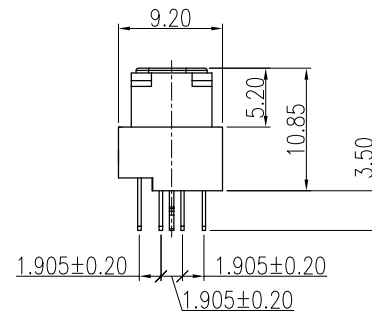
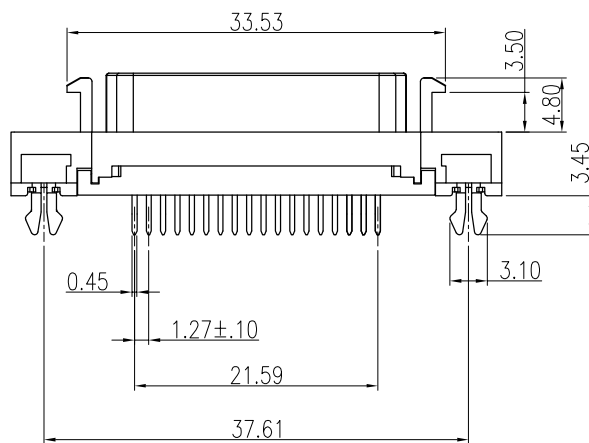
LOC		DIST		REVISIONS			DATE	OWN	APVD
P	LTR	DESCRIPTION							
A1		ADD 26PIN P/N					14SEP2015	F.Y	X.X

NOTE:

1. MATERIAL:
 - 1.1 HOUSING:PBT UL94-V0,BLACK
 - 1.2 SPACER:PBT UL94-V0,BLACK
 - 1.3 CONTACT:PH/BR (C5191H) T=0.30
 - 1.4 SHELL:ZINC ALLOY
 - 1.5 HOOK:PH/BR(C5191-EH) T=0.40
2. FINISH
 - 2.1 CONTACT PLATING:
 - 50u" NICKEL PLATING OVERALL,
 - CONTACT AREA PLATED:GOLD 3u" OR 10u" OR 30u"
 - SOLDER AREA PLATED:TIN 100u" MIN. LEAD FREE
 - 2.2 SHELL PLATING:
 - NICKEL 100u" MIN PLATED OVER Cu 150u" MIN
 - 2.3 HOOK PLATING:
 - TIN 100u" MIN PLATED OVER NICKEL 50u" MIN
3. VOLTAGE RATING:200V AC.
4. CURRENT RATING:1A
5. WITHSTANDING VOLTAGE:500V AC for 1 MINUTE.
6. OPERATION TEMPERATURE:-55°C~+85°C
7. PRODUCT MUST MEET CONTROLLED SUBSTANCES PER TE SPEC 230-702,REVISION F



Recommended P.C.B Layout (Top Side)
 (PCB BOARD TOLERANCE±0.05)



36	3u"	4-2271287-4
	30u"	4-2271287-2
	10u"	4-2271287-1
POS	CONTACT PLATING	P/N

THIS DRAWING IS A CONTROLLED DOCUMENT.		FENCER YU 14-JAN-2015		TE Connectivity	
DIMENSIONS:		CHK KOBBY ZHAO 14-JAN-2015		NAME	
TOLERANCES UNLESS OTHERWISE SPECIFIED:		APVD YU XIANG 14-JAN-2015		1.27 PITCH VERTICAL TYPE SCSI RECEPTACLE WITH HOOK	
mm		PRODUCT SPEC		108-106126	
0 PLC ± -		APPLICATION SPEC		-	
1 PLC ± 0.40		SIZE		A2	
2 PLC ± 0.25		CAGE CODE		00779	
3 PLC ± -		DRAWING NO		2271287	
4 PLC ± -		WEIGHT		-	
ANGLES ± -		CUSTOMER DRAWING		SCALE	
FINISH		SHEET		2 of 3	
SEE NOTES		REV		A1	