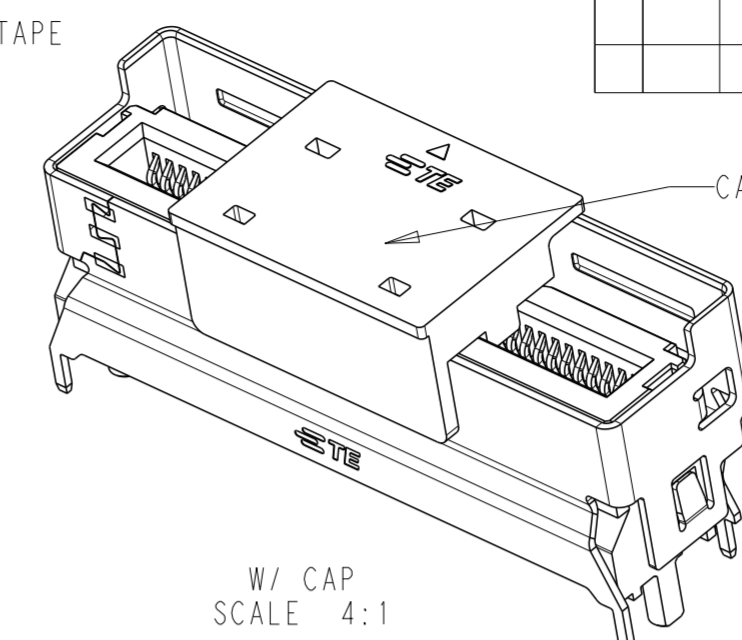
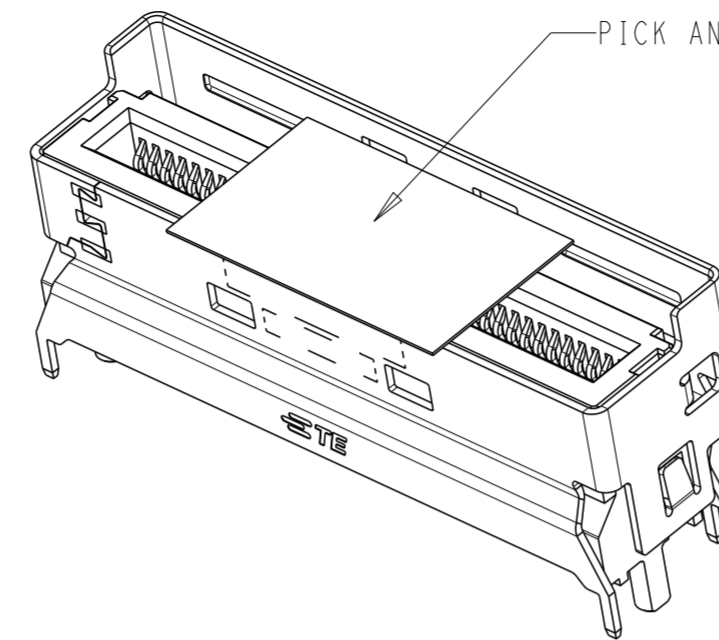
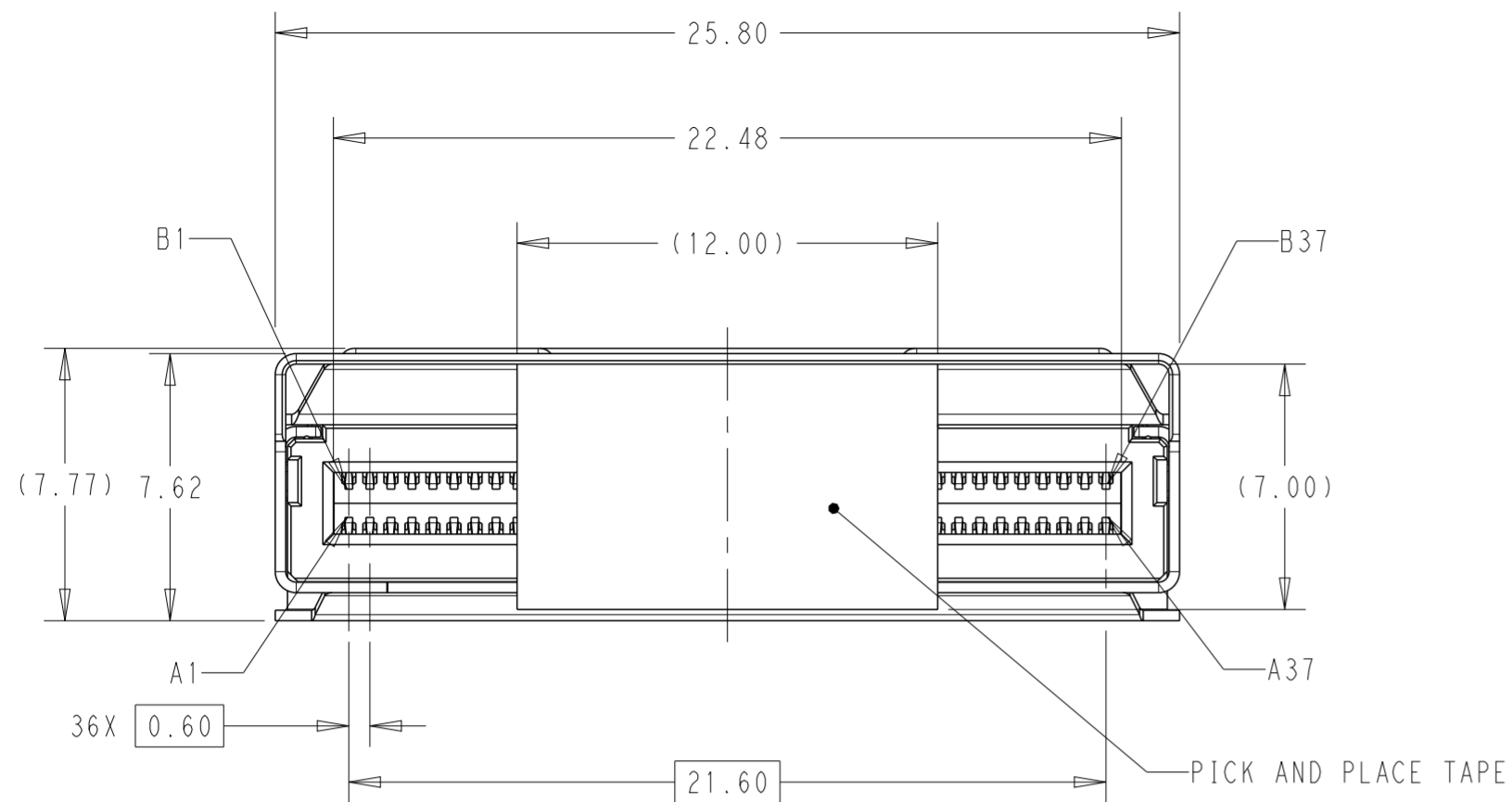
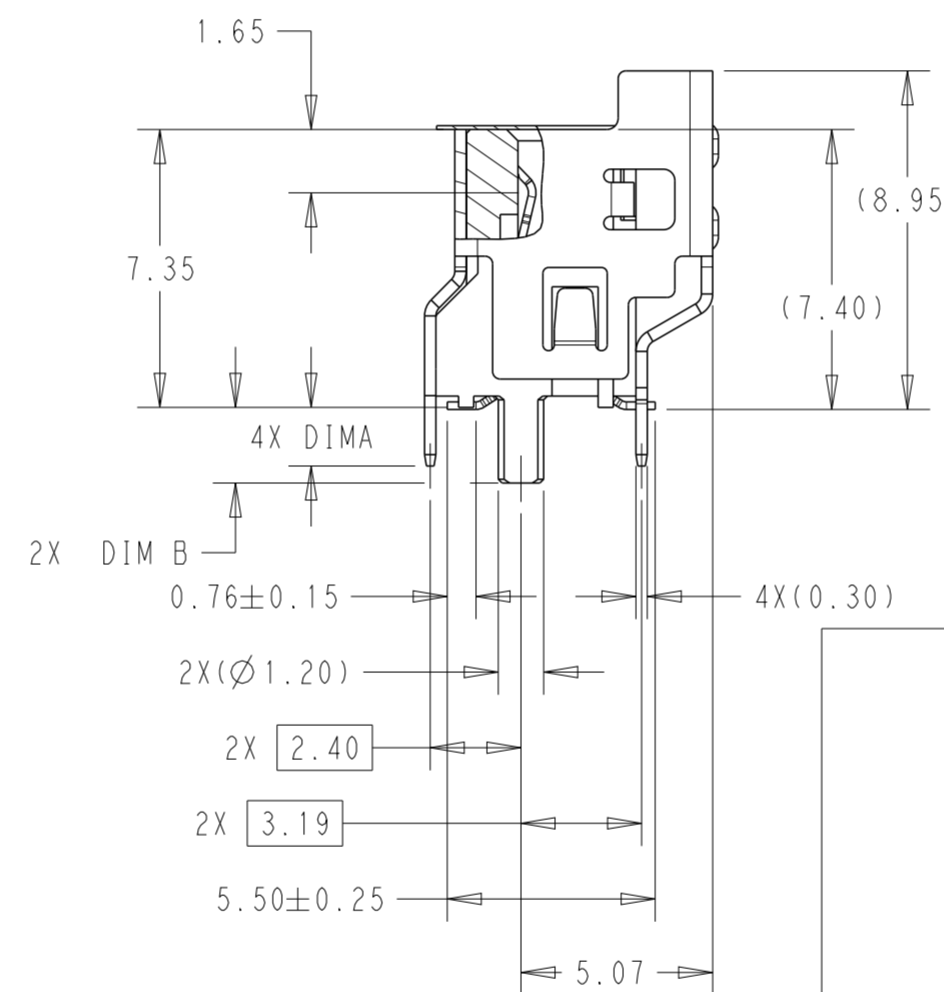
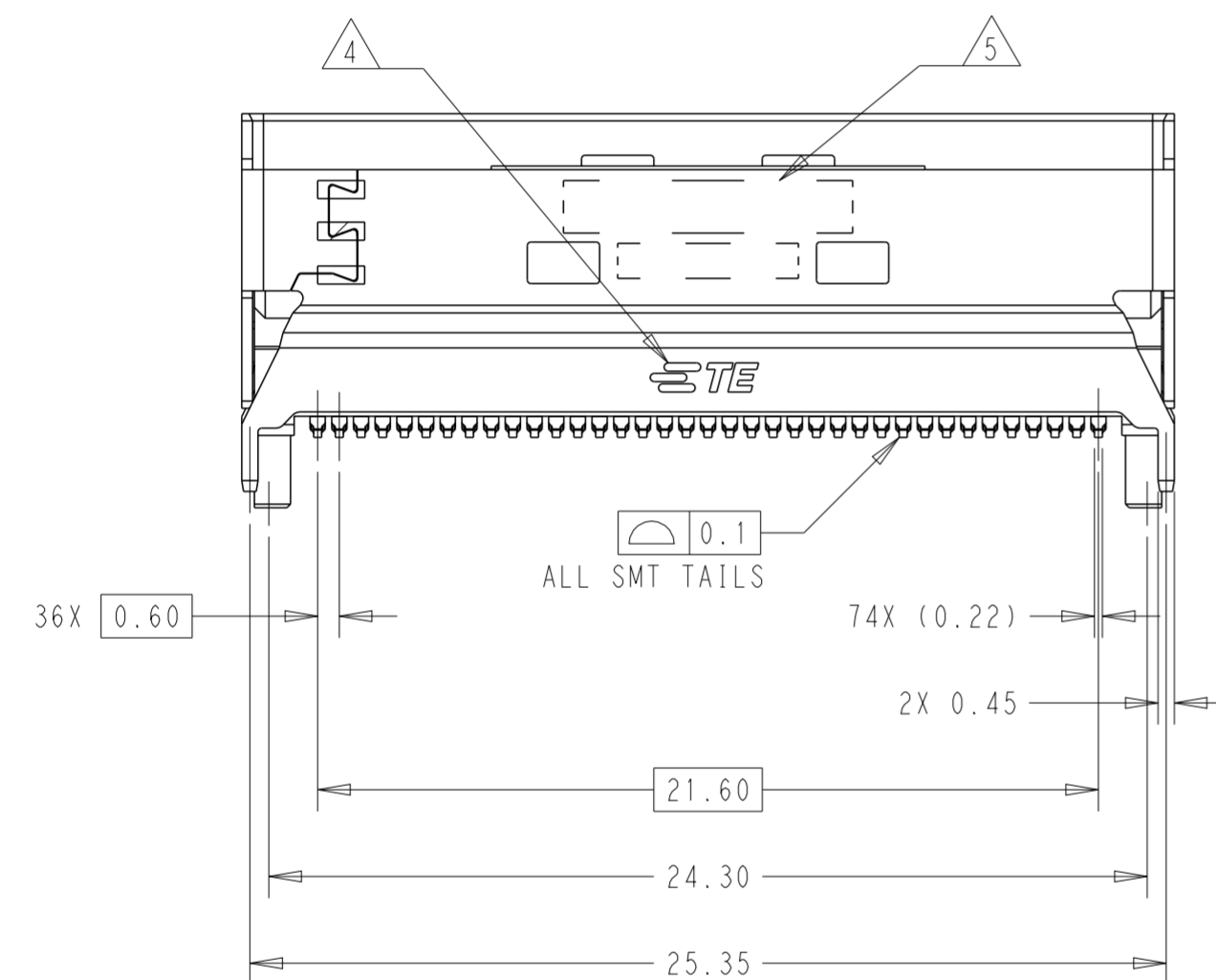
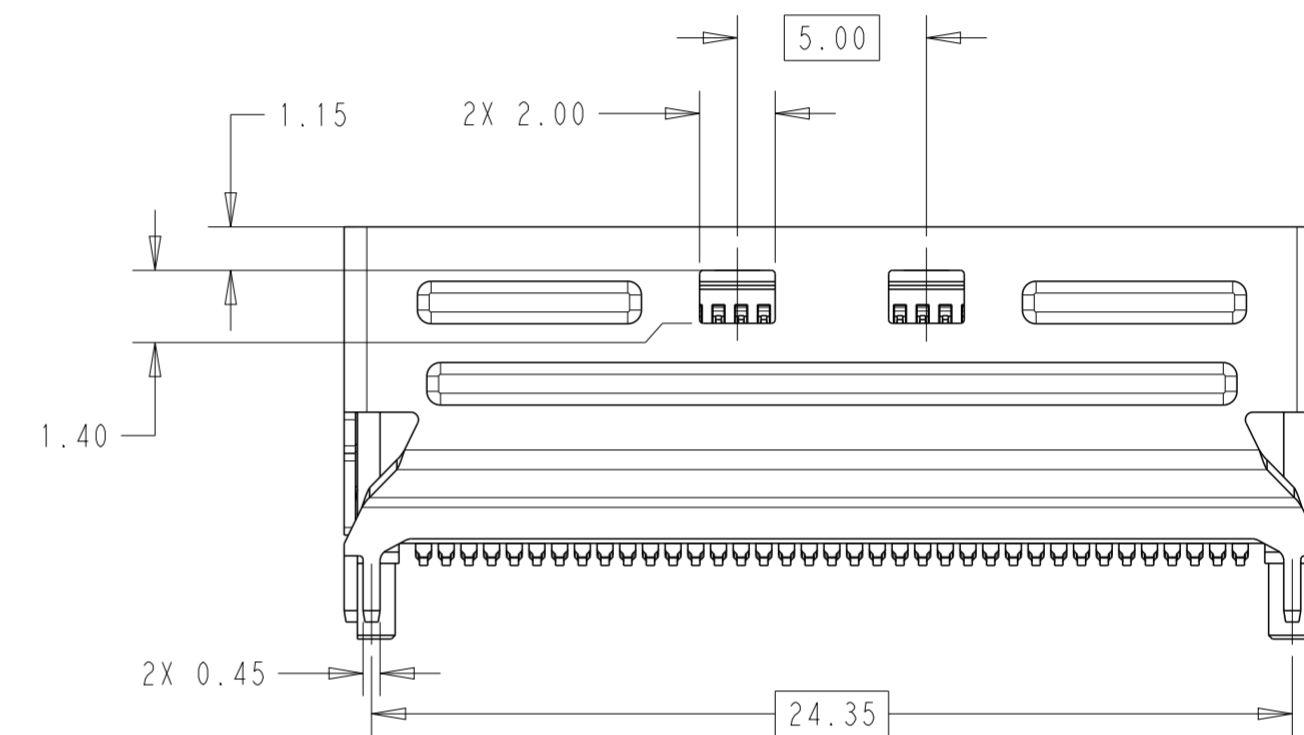


P	LTR	DESCRIPTION	DATE	DWN	APVD
A		RELEASE PER ECN-22-172004	30AUG2022	LL	DZ



W/ PICK AND PLACE TAPE SCALE 4:1

W/ CAP SCALE 4:1



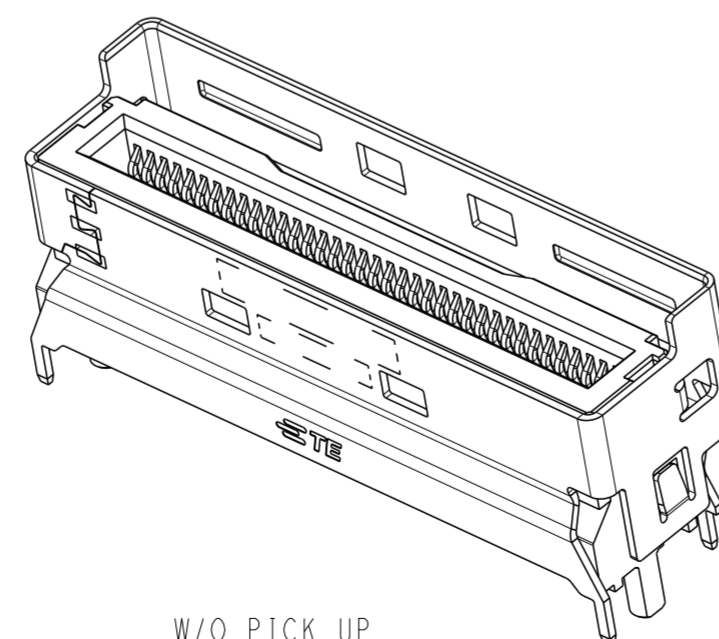
1 MATERIALS:
 PLASTICS: HIGH TEMPERATURE THERMOPLASTIC UL94V-0, COLOR: BLACK.
 SHELL: STAINLESS STEEL
 CONTACT: COPPER ALLOY
 PICK AND PLACE TAPE: POLYIMIDE FILM.

2 FINISH:
 TERMINAL: CONTACT AREA: SELECTED GOLD PLATING, SEE TABLE.
 SOLDER AREA: MATTE TIN PLATING 100u".
 SHELL: UNDERPLATING: NICKEL PLATING 50u" MIN OVERALL.

3 HALOGEN REQUIREMENT MEET CODE 2: LOW BR/CL AS DEFINED IN TEC-138-702.

4 TE CONNECTIVITY LOGO MARKED IN APPROXIMATE AREA SHOWN.

5 PART NUMBER AND DATE CODE MARKED IN APPROXIMATE AREA SHOWN.



W/O PICK UP SCALE 4:1

Q'TY /CARTON (PCS)	POKET TAPE PITCH(MM)	Q'TY /REEL (PCS)	CAP OPTION	CONTACT FINISH	DIM B	DIM A	PART NUMBER
800	20	200	W/O PICK UP	30u" GOLD	2.00	1.50	4-2379397-5
					1.20	1.20	1-2379397-9
			W/CAP	30u" GOLD	2.00	4.20	1-2379397-8
					2.00	3.00	1-2379397-7
					2.00	2.20	1-2379397-6
					2.00	1.50	1-2379397-5
			W/PICK AND PLACE TAPE	15u" GOLD	1.20	1.20	3-2379397-9
					2.00	4.20	1-2379397-4
					2.00	3.00	1-2379397-3
					2.00	2.20	1-2379397-2
					2.00	1.50	1-2379397-1
					1.20	1.20	2379397-9
			W/PICK AND PLACE TAPE	30u" GOLD	2.00	4.20	2379397-8
					2.00	3.00	2379397-7
					2.00	2.20	2379397-6
					2.00	1.50	2379397-5
W/PICK AND PLACE TAPE	15u" GOLD	1.20			1.20	2-2379397-9	
		2.00			4.20	2379397-4	
		2.00	3.00	2379397-3			
		2.00	2.20	2379397-2			
2.00	1.50	2379397-1					

THIS DRAWING IS A CONTROLLED DOCUMENT.

DIMENSIONS: mm	TOLERANCES UNLESS OTHERWISE SPECIFIED:
0 PLC ±	1 PLC ±
2 PLC ±0.20	3 PLC ±0.10
4 PLC ±	ANGLES ±2°
MATERIAL	FINISH

DWN	24SEP2020
CHK	24SEP2020
APVD	24SEP2020
PRODUCT SPEC	108-60133
APPLICATION SPEC	114-60030
WEIGHT	-
CUSTOMER DRAWING	SCALE 5:1

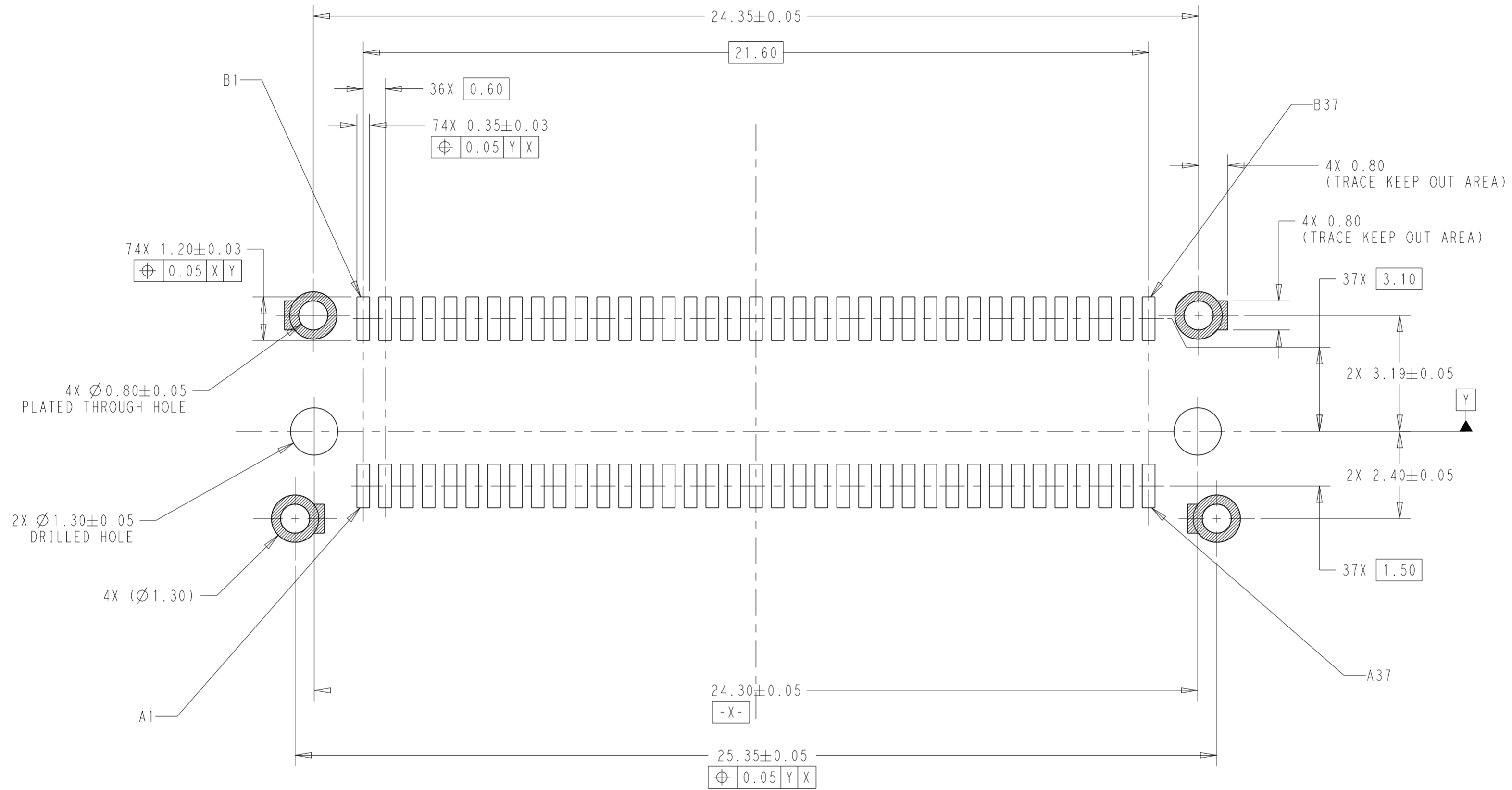
STE TE Connectivity

NAME: MINI COOL EDGE IO INTEGRATED CONN.
 0.6 PITCH, VERTICAL STANDARD
 74P, SMT TYPE, 85ohm

SIZE: A2 CAGE CODE: 00779 DRAWING NO: C-2379397 RESTRICTED TO: -

SHEET 1 OF 5 REV A

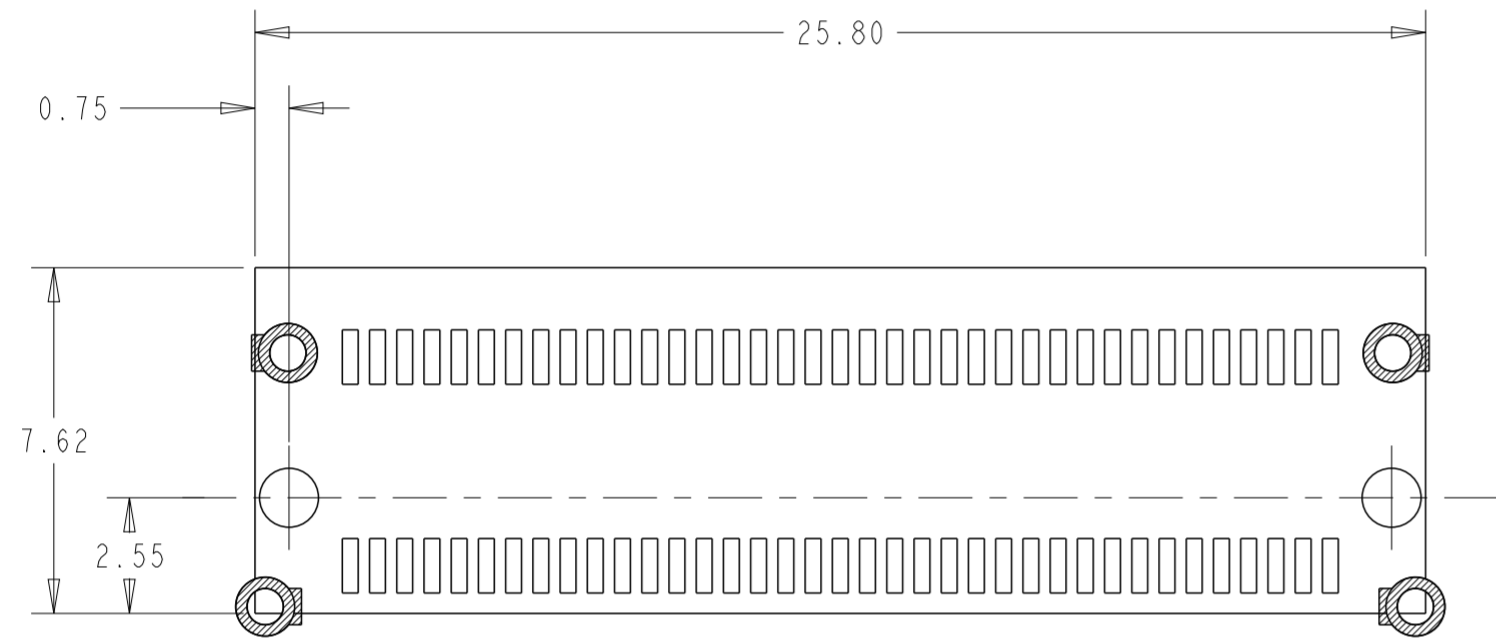
P	LTR	DESCRIPTION	DATE	DWN	APVD
-	-	SEE SHEET 1	-	-	-



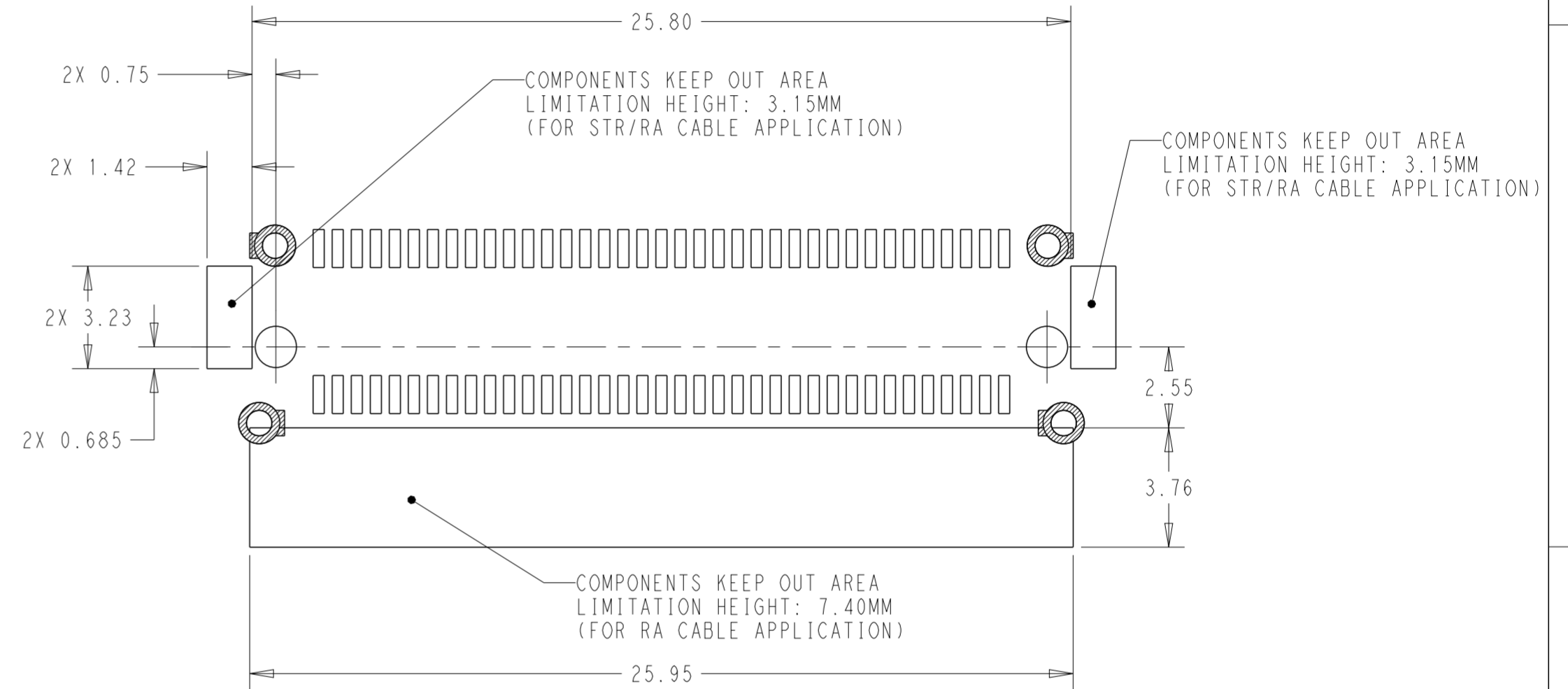
RECOMMENDED PCB LAYOUT
AND TRACE KEEP OUT AREA
SCALE 10:1

THIS DRAWING IS A CONTROLLED DOCUMENT.		DWN LEO LI 24SEP2020	TE Connectivity															
DIMENSIONS: mm		CHK DAVID ZHANG 24SEP2020																
TOLERANCES UNLESS OTHERWISE SPECIFIED:		APVD DAVID ZHANG 24SEP2020	NAME MINI COOL EDGE IO INTEGRATED CONN. 0.6 PITCH, VERTICAL STANDARD 74P, SMT TYPE, 85ohm															
<table border="1"> <tr><td>0 PLC</td><td>±</td></tr> <tr><td>1 PLC</td><td>±</td></tr> <tr><td>2 PLC</td><td>±0.20</td></tr> <tr><td>3 PLC</td><td>±0.10</td></tr> <tr><td>4 PLC</td><td>±</td></tr> <tr><td>ANGLES</td><td>±2°</td></tr> <tr><td>FINISH</td><td>-</td></tr> </table>		0 PLC	±	1 PLC	±	2 PLC	±0.20	3 PLC	±0.10	4 PLC	±	ANGLES	±2°	FINISH	-	PRODUCT SPEC 108-60133	SIZE A2	CAGE CODE 00779
0 PLC	±																	
1 PLC	±																	
2 PLC	±0.20																	
3 PLC	±0.10																	
4 PLC	±																	
ANGLES	±2°																	
FINISH	-																	
MATERIAL		APPLICATION SPEC 114-60030	DRAWING NO C-2379397	RESTRICTED TO -														
-		WEIGHT -	SCALE 5:1 SHEET 2 OF 5 REV A															
-		CUSTOMER DRAWING																

P	LTR	DESCRIPTION	DATE	DWN	APVD
-	-	SEE SHEET 1	-	-	-



COMPONENTS KEEP OUT AREA
LIMITATION HEIGHT: 0mm
SCALE 6:1

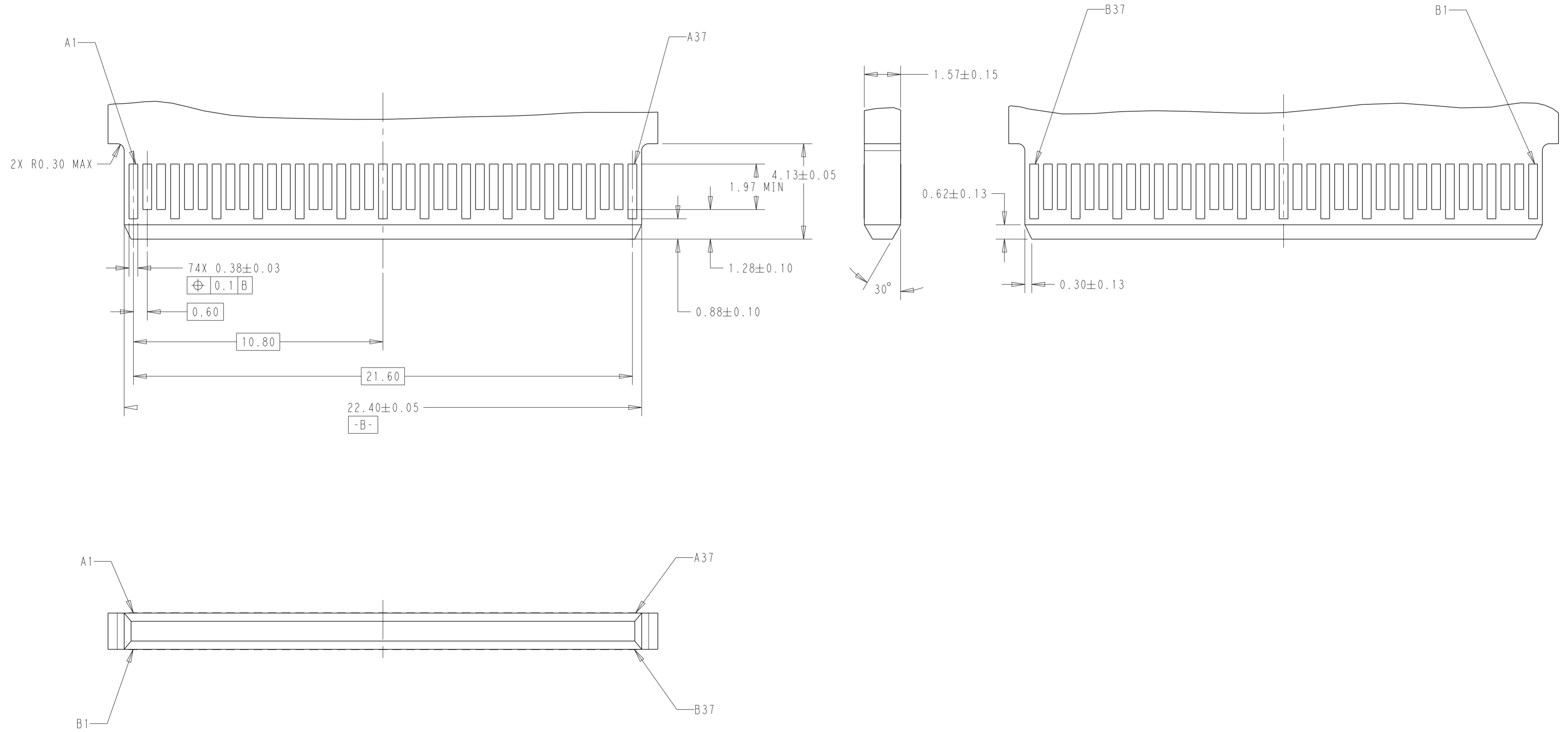



COMPONENTS KEEP OUT AREA
SCALE 6:1

THIS DRAWING IS A CONTROLLED DOCUMENT.		DWN LEO LI 24SEP2020	TE Connectivity	
DIMENSIONS: mm		CHK DAVID ZHANG 24SEP2020		
TOLERANCES UNLESS OTHERWISE SPECIFIED:		APVD DAVID ZHANG 24SEP2020	NAME MINI COOL EDGE IO INTEGRATED CONN. 0.6 PITCH, VERTICAL STANDARD 74P, SMT TYPE, 85ohm	
0 PLC ±	1 PLC ±	PRODUCT SPEC 108-60133	SIZE A2	CAGE CODE 00779
2 PLC ±0.20	3 PLC ±0.10	APPLICATION SPEC 114-60030	DRAWING NO C-2379397	RESTRICTED TO -
4 PLC ±	ANGLES ±2°	WEIGHT -	SCALE 5:1 SHEET 3 OF 5 REV A	
MATERIAL -	FINISH -	CUSTOMER DRAWING		

P	LTR	DESCRIPTION	DATE	DWN	APVD
-		SEE SHEET 1	-	-	-

RECOMMENDED AIC CARD DIMENSIONS



THIS DRAWING IS A CONTROLLED DOCUMENT.		DWN LEO LI 24SEP2020	 TE Connectivity	
DIMENSIONS: mm		CHK DAVID ZHANG 24SEP2020		
TOLERANCES UNLESS OTHERWISE SPECIFIED:		APVD DAVID ZHANG 24SEP2020	NAME MINI COOL EDGE IO INTEGRATED CONN. 0.6 PITCH, VERTICAL STANDARD 74P, SMT TYPE, 85ohm	
0 PLC ±- 1 PLC ±- 2 PLC ±0.20 3 PLC ±0.10 4 PLC ±- ANGLES ±2° FINISH -		PRODUCT SPEC 108-60133	SIZE A2	CAGE CODE 00779
MATERIAL -		APPLICATION SPEC 114-60030	DRAWING NO C-2379397	RESTRICTED TO -
		WEIGHT -	SCALE 5:1	SHEET 4 OF 5
		CUSTOMER DRAWING	REV A	