

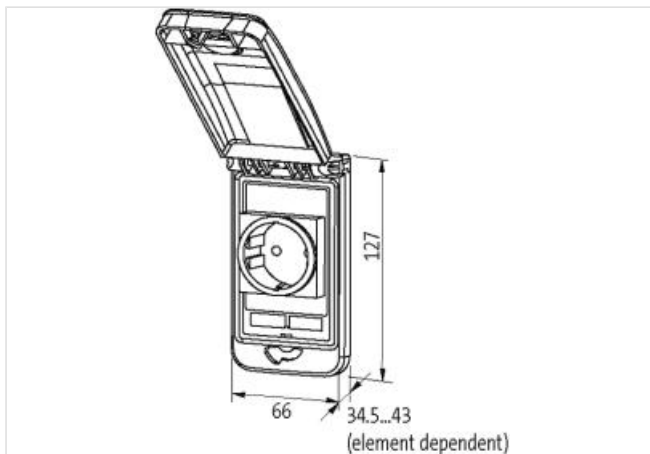
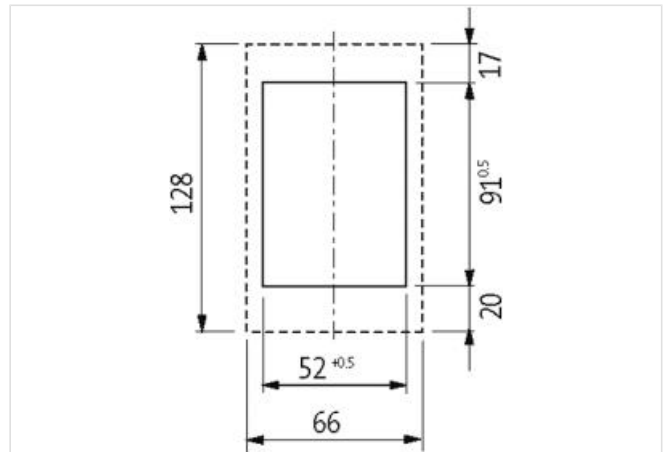
MODLINK MSDD FRAME SINGLE TRANSPARENT

Closure 3 mm double bit incl. pluggable knob

Frame: plastic PA black
Lid: plastic, PC transparent
Closure: 3 mm double bit
with attachable rotation knob

[Link to Product](#)

Illustration



Product may differ from Image



General data

Dimensions H×W×D 127×66×43 mm

Classifications

ECLASS-6.0	27189217
ECLASS-6.1	27189260
ECLASS-7.0	27189260

ECLASS-8.0	27189260
ECLASS-9.0	27189260
ECLASS-10.1	27182810
ECLASS-11.1	27182810
ECLASS-12.0	27182810
ETIM-5.0	EC002625

Frame

Housing	Frame: plastic PA black, cap: plastic PC transparent
Temperature range	-30...+70 °C (storage temperature -30...+80 °C)
Protection	IP65
suitable for mounting with wall thickness	1...5 mm

Commercial data

customs tariff number	85389099
GTIN	4048879368827
Packaging unit	1