

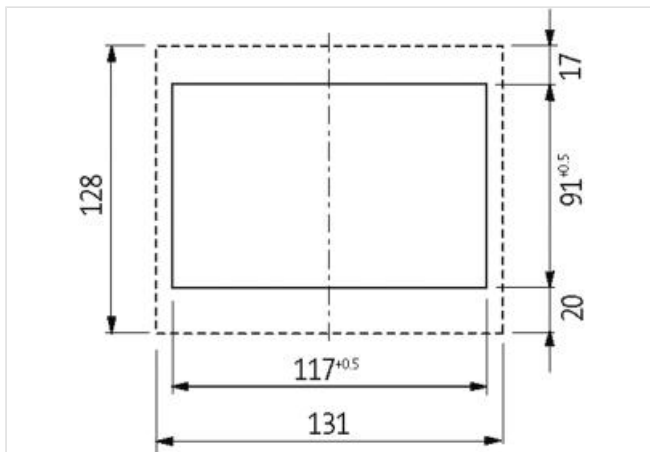
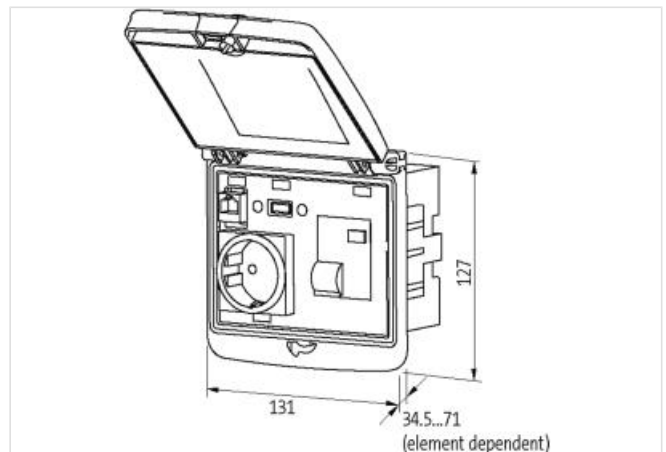
**MODLINK MSDD FRAME DBL METALIC**

Closure 3 mm double bit incl. pluggable knob

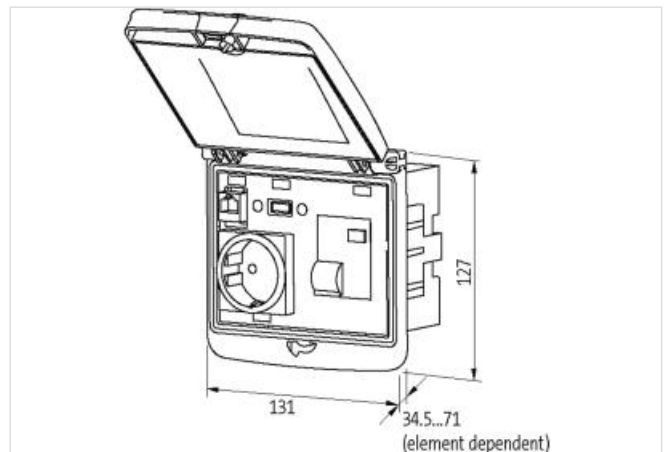
Frame: plastic PA black

Lid: plastic, ABS gray

Closure: 3 mm double bit with attachable rotation knob

[Link to Product](#)**Illustration**

Product may differ from Image

**General data**

Dimensions H×W×D 127×131×43 mm

**Frame**

Housing Frame: plastic PA black, cap: plastic ABS metallic

Temperature range -30...+70 °C (storage temperature -30...+80 °C)

Protection IP65

suitable for mounting with wall thickness 1...5 mm