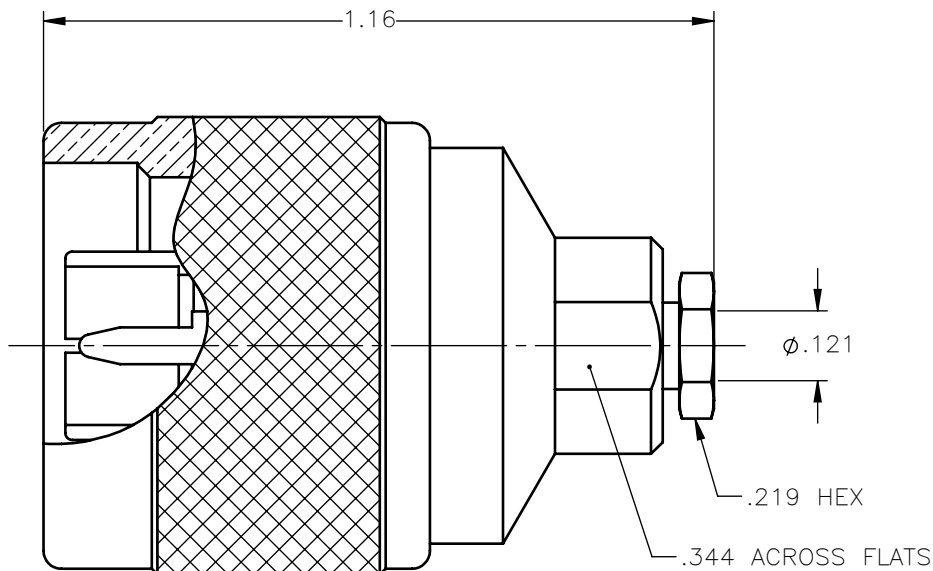


REVISIONS			
REV.	DESCRIPTION	DATE	APPROVED
A	INITIAL RELEASE	04/23/18	C.E.





NOTES:

MATERIALS:

1. INSULATORS = VIRGIN WHITE TEFLON PER ASTM D1710, GRADE 1, TYPE I, CLASS "B".
2. WASHER = PHOSPHOR BRONZE PER ASTM B139, COPPER ALLOY C53400, TEMPER H04.
3. GASKET = DOW CORNING SILASTIC 250, SILICONE RUBBER 45-55 DUROMETER.
4. ALL OTHER METAL PARTS = BRASS PER ASTM B16, ALLOY C36000, TEMPER H02.

FINISHES:

1. CONTACT = GOLD PLATE PER ASTM B488-01, TYPE II, 50µin MIN, GRADE C, OVER 100 TO 200µin STRESS FREE SULFAMATE NICKEL PER QQ-N-290.
2. ALL OTHER METAL PARTS = NICKEL PLATE PER QQ-N-290, 50µin MIN, GRADE G, EXCEPT 100 TO 200µin THICK OVER 50 TO 100µin THICK COPPER PER MIL-C-14550

UNLESS OTHERWISE SPECIFIED DIMENSIONS ARE IN INCHES TOLERANCES ON	DWN:	DATE	 Property of Radiall This document cannot be reproduced or communicated to a third party without prior written permission of RADIALL.				
	C.E.	04/23/18					
DECIMAL	ANGLE	CHKD:	DATE	TYPE "N" STRAIGHT PLUG CLAMP TYPE FOR RG-316 & SIMILAR CABLES			
		D.N.	04/23/18				
		APVD:	DATE				
		J.M.	04/23/18	SIZE	FSCM NO.	DWG NO.	REV
REFERENCE:	MATERIALS & FINISHES:	A	19505	4000-7051-003	A		
ORIGINATED: C.E. DATE: 04/23/18	SEE NOTES	SCALE 3:1		THIRD ANGLE PROJECTION	SHEET 1 OF 1		

4000-7051-003