

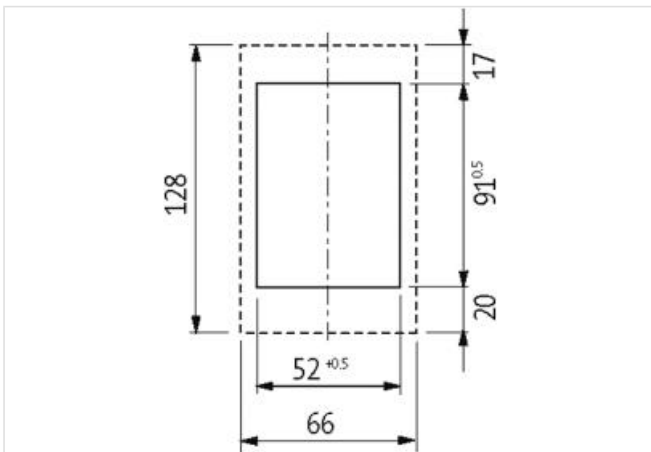
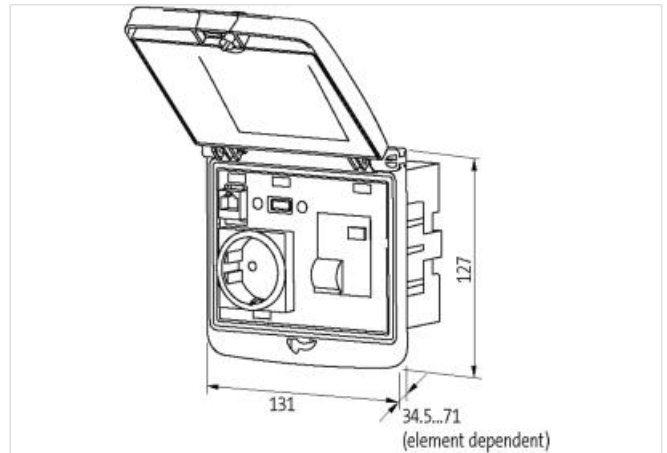
MODLINK MSDD FRAME SINGLE METALIC

with customized printing

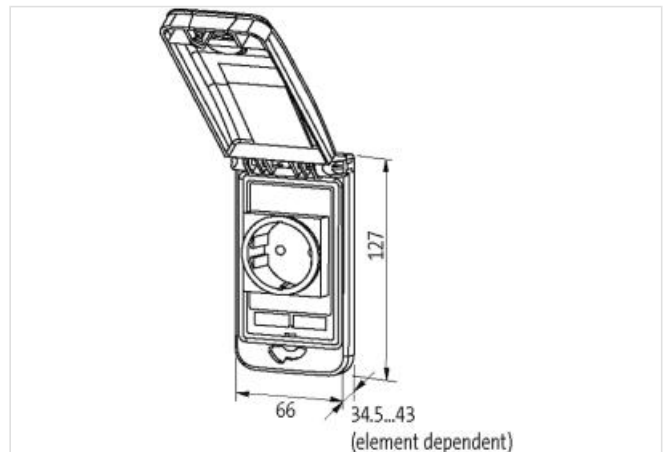
Customized printing
 Frame: plastic PA black
 Lid: plastic, ABS gray
 Closure: 3 mm double bit
 with attachable rotation knob

Link to Product

Illustration



Product may differ from Image



Commercial data

ECLASS-6.0	27189217
ECLASS-6.1	27189260
ECLASS-7.0	27189260
ECLASS-8.0	27189260
ECLASS-9.0	27182810

ECLASS-10.1	27182810
ECLASS-11.1	27182810
ECLASS-12.0	27182810
ETIM-5.0	EC002625
customs tariff number	85389099
GTIN	4048879689434
Packaging unit	1

Mechanical data | Mounting data

Height	127 mm
Width	66 mm
Depth	43 mm

Frame

Degree of protection (EN IEC 60529)	IP65
Operating temperature min.	-30 °C
Operating temperature max.	70 °C
Storage temperature min.	-30 °C
Storage temperature max.	80 °C
Suitable for installation wall thickness min.	1 mm
Suitable for installation wall thickness max.	5 mm
Color cover	metallic
Color housing	black
Material lid	ABS
Material housing	PA