

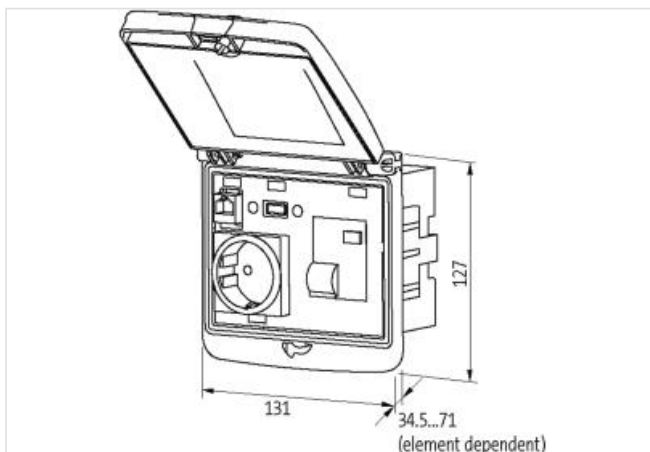
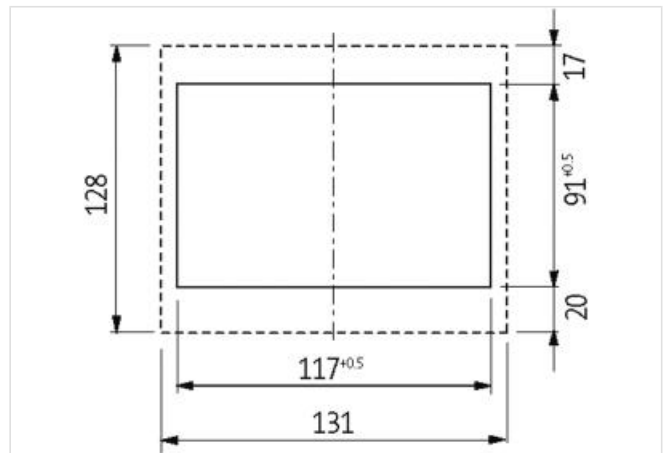
MODLINK MSDD FRAME DBL TRANSPARENT

with customized printing

Customized printing
 Frame: plastic PA black
 Lid: plastic, PC transparent
 Closure: 3 mm double bit
 with attachable rotation knob

[Link to Product](#)

Illustration



Product may differ from Image



General data

Dimensions HxWxD 127x131x43 mm

classifications

ECLASS-6.0	27189217
ECLASS-6.1	27189260
ECLASS-7.0	27189260

ECLASS-8.0	27189260
ECLASS-9.0	27189260
ECLASS-10.1	27182810
ECLASS-11.1	27182810
ECLASS-12.0	27182810
ETIM-5.0	EC002625

Frame

Housing	Frame: plastic PA black, cap: plastic PC transparent
Temperature range	-30...+70 °C (storage temperature -30...+80 °C)
Protection	IP65
suitable for mounting with wall thickness	1...5 mm

Commercial data

customs tariff number	85389099
GTIN	4048879689458
Packaging unit	1