

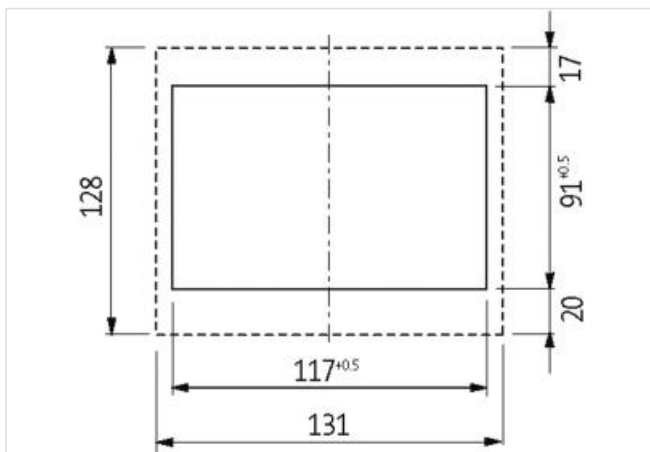
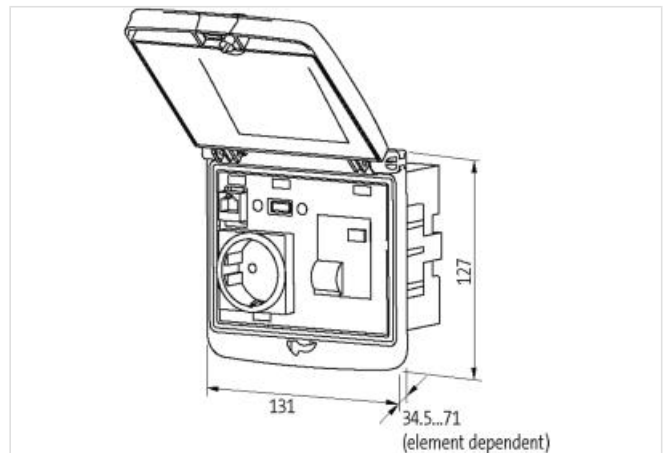
MODLINK MSDD FRAME DBL METALIC

with customized printing

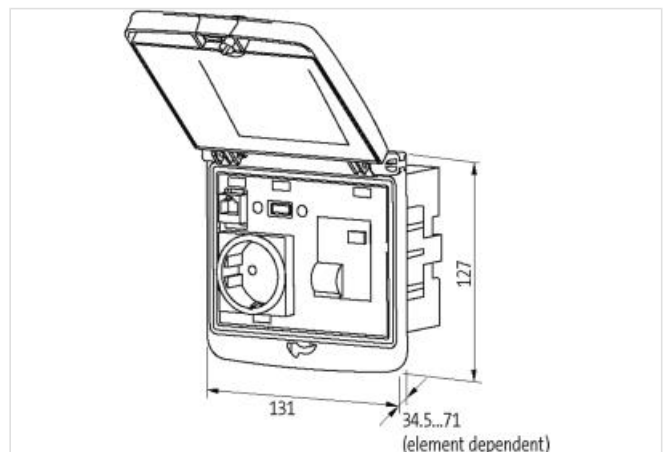
Customized printing
 Frame: plastic PA black
 Lid: plastic, ABS gray
 Closure: 3 mm double bit
 with attachable rotation knob

Link to Product

Illustration



Product may differ from Image



General data

Dimensions HxWxD 127x131x43 mm

Frame

Housing	Frame: plastic PA black, cap: plastic ABS metallic
Temperature range	-30...+70 °C (storage temperature -30...+80 °C)
Protection	IP65

The information in this Product-PDF has been compiled with the utmost care.

Liability for the correctness completeness and topicality of the information is restricted to gross negligence. Version: 2023-09-07

Murrelektronik Inc. | 1327 Northbrook Parkway, Suite 460 | Suwanee, GA 30024 | Fon +1 770 497-9292 | Fax +1 770 497-9391 | shop@murrinc.com | shop.murrinc.com

suitable for mounting with wall thickness 1...5 mm