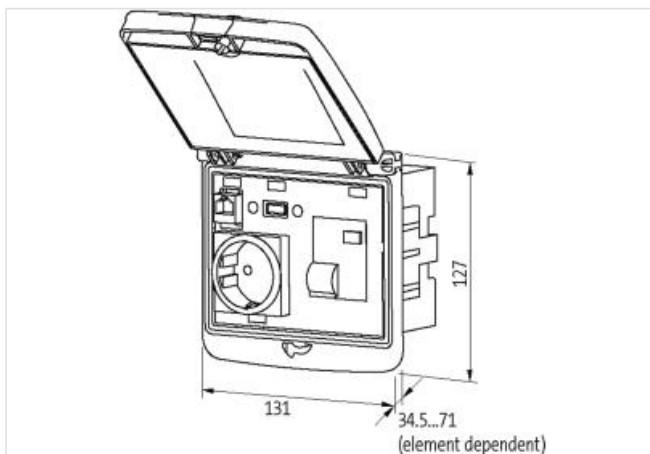
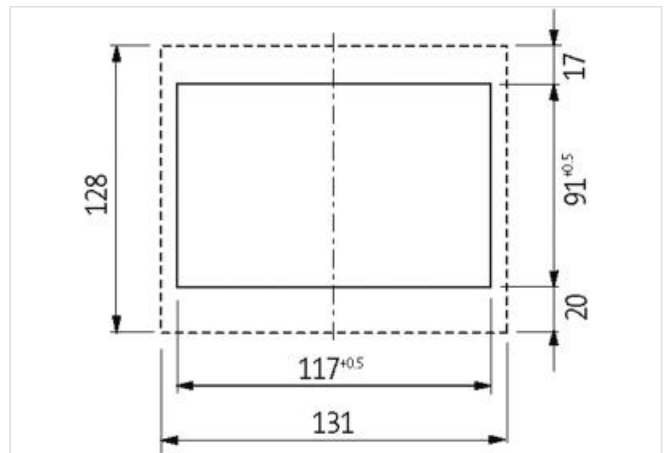


**MODLINK MSDD FRAME DBL GREY**

with customized printing

Customized printing  
 Frame: plastic PA black  
 Lid: plastic, PBT gray  
 Closure: 3 mm double bit  
 with attachable rotation knob

**[Link to Product](#)****Illustration**

Product may differ from Image

**General data**

Dimensions HxWxD 127x131x43 mm

**Frame**

Housing Frame: plastic PA black, cap: plastic PBT gray

Temperature range -30...+70 °C (storage temperature -30...+80 °C)

Protection IP65

The information in this Product-PDF has been compiled with the utmost care.

Liability for the correctness completeness and topicality of the information is restricted to gross negligence. Version: 2023-09-07

Murrelektronik Inc. | 1327 Northbrook Parkway, Suite 460 | Suwanee, GA 30024 | Fon +1 770 497-9292 | Fax +1 770 497-9391 | shop@murrinc.com | shop.murrinc.com

suitable for mounting with wall thickness 1...5 mm