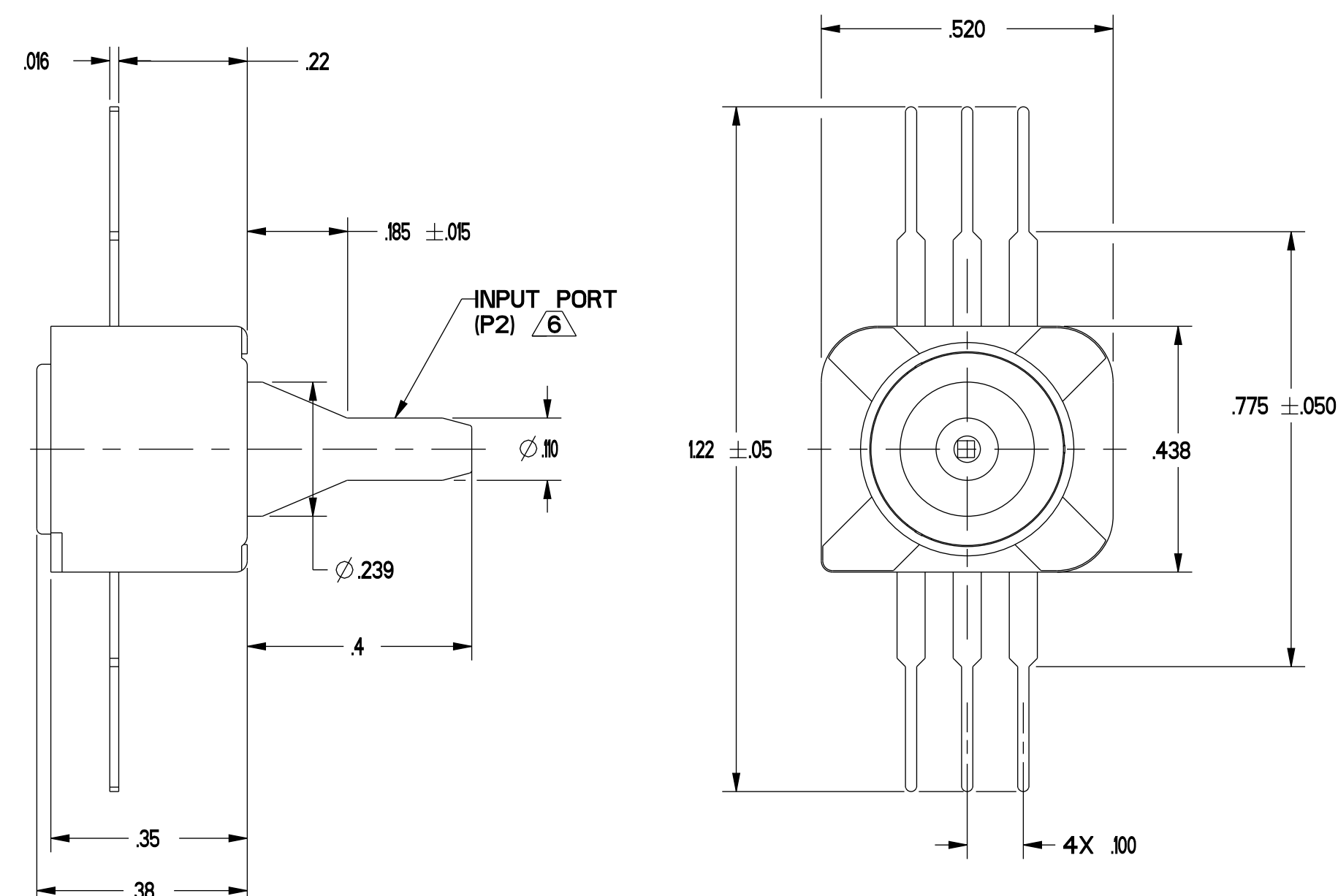


LEAD PIN OUT		
Vout	GND	Vs
3	2	1



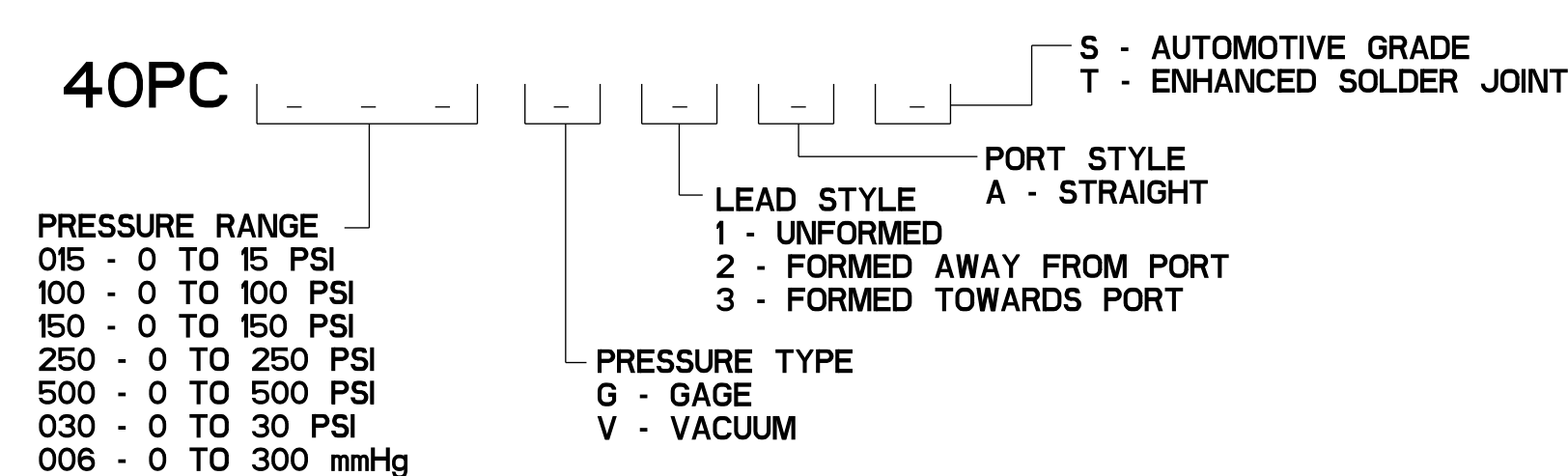
LEAD STYLE 1

GENERAL CHARACTERISTICS								
PRESSURE RANGE	SEE CHART							
OVERPRESSURE	SEE CHART							
TEMPERATURE RANGES	SEE CHART							
STORAGE	-55° TO +125° C							
OPERATING	-45° TO +125° C							
SUPPLY VOLTAGE	5.0 Vdc (NOM) ±.25 Vdc							
SUPPLY CURRENT	10mA MAX							
SHORT CIRCUIT LIMIT	4							
OUTPUT SOURCE CURRENT	0.5 mA MAX							
OUTPUT SINK CURRENT	10 mA MAX							
OUTPUT CAPACITANCE	0.01µ F MAX							
DRIVE CAPABILITY								
RATIOMETRICITY	±0.25% SPAN TYP							
OUTPUT PERFORMANCE AT 25°C AND 5.00±.01 VDC SUPPLY UNLESS NOTED								
NULL (0 PSIG)	SEE CHART							
FULL SCALE	4500 Vdc TYP							
SPAN	SEE CHART							
SENSITIVITY	SEE CHART							
HYSTERESIS & REPEATABILITY	0.15% SPAN TYP							
TEMPERATURE ERROR / 1	0 TO -15 PSI	0 TO 15 PSI	0 TO 30 PSI	0 TO 100 PSI	0 TO 150 PSI	0 TO 250 PSI	0 TO 500 PSI / 8	0 TO 300 mmHg
NULL SHIFT								
25° TO -18° C	±0.75% SPAN MAX	±2.00% SPAN MAX	±1.50% SPAN MAX	±1.25% SPAN MAX	±0.75% SPAN MAX	±0.75% SPAN MAX	±1.00% SPAN MAX	±1.25% SPAN MAX
25° TO +63° C	±2.00% SPAN MAX	±1.50% SPAN MAX	±1.25% SPAN MAX	±0.75% SPAN MAX	±0.75% SPAN MAX	±0.75% SPAN MAX	±1.00% SPAN MAX	±1.25% SPAN MAX
25° TO +45° C	±1.00% SPAN MAX	±2.75% SPAN MAX	±1.75% SPAN MAX	±2.00% SPAN MAX	±1.00% SPAN MAX	±1.00% SPAN MAX	±1.50% SPAN MAX	±2.75% SPAN MAX
25° TO +85° C	±1.00% SPAN MAX	±2.75% SPAN MAX	±2.00% SPAN MAX	±2.00% SPAN MAX	±1.00% SPAN MAX	±1.00% SPAN MAX	±1.50% SPAN MAX	±2.50% SPAN MAX
25° TO +125° C 5	±2.25% SPAN MAX	±3.00% SPAN MAX	±2.25% SPAN MAX	±3.00% SPAN MAX	±1.50% SPAN MAX	±2.00% SPAN MAX	±2.50% SPAN MAX	±2.50% SPAN MAX
SPAN SHIFT								
25° TO -18° C	±2.00% SPAN MAX	±0.75% SPAN MAX	±1.50% SPAN MAX	±0.75% SPAN MAX	±0.75% SPAN MAX	±0.75% SPAN MAX	±0.75% SPAN MAX	±0.75% SPAN MAX
25° TO +63° C	±0.75% SPAN MAX	±1.50% SPAN MAX	±1.50% SPAN MAX	±0.75% SPAN MAX	±0.75% SPAN MAX	±0.75% SPAN MAX	±0.75% SPAN MAX	±0.75% SPAN MAX
25° TO +45° C	±2.25% SPAN MAX	±1.00% SPAN MAX	±1.75% SPAN MAX	±1.00% SPAN MAX	±1.00% SPAN MAX	±1.00% SPAN MAX	±1.00% SPAN MAX	±2.00% SPAN MAX
25° TO +85° C	±1.25% SPAN MAX	±1.00% SPAN MAX	±2.00% SPAN MAX	±1.00% SPAN MAX	±1.00% SPAN MAX	±1.00% SPAN MAX	±1.00% SPAN MAX	±1.75% SPAN MAX
25° TO +125° C 5	±2.25% SPAN MAX	±1.00% SPAN MAX	±2.25% SPAN MAX	±2.00% SPAN MAX	±1.50% SPAN MAX	±2.00% SPAN MAX	±1.50% SPAN MAX	±1.75% SPAN MAX
COMBINED NULL AND SPAN SHIFT								
25° TO -18° C	±1.50% SPAN MAX	±2.00% SPAN MAX	±2.00% SPAN MAX	±1.50% SPAN MAX	±0.75% SPAN MAX	±0.75% SPAN MAX	±1.00% SPAN MAX	±1.50% SPAN MAX
25° TO +63° C	±2.00% SPAN MAX	±1.50% SPAN MAX	±2.00% SPAN MAX	±1.50% SPAN MAX	±0.75% SPAN MAX	±0.75% SPAN MAX	±1.00% SPAN MAX	±1.50% SPAN MAX
25° TO +45° C	±1.75% SPAN MAX	±3.00% SPAN MAX	±2.50% SPAN MAX	±2.50% SPAN MAX	±1.00% SPAN MAX	±1.00% SPAN MAX	±1.75% SPAN MAX	±4.00% SPAN MAX
25° TO +85° C	±1.00% SPAN MAX	±3.00% SPAN MAX	±2.50% SPAN MAX	±2.50% SPAN MAX	±1.00% SPAN MAX	±1.00% SPAN MAX	±1.50% SPAN MAX	±4.00% SPAN MAX
25° TO +125° C 5	±1.00% SPAN MAX	±3.00% SPAN MAX	±2.50% SPAN MAX	±3.00% SPAN MAX	±1.50% SPAN MAX	±3.00% SPAN MAX	±3.00% SPAN MAX	±4.00% SPAN MAX
LINEARITY (B.F.S.L.)	0.30% SPAN MAX	0.20% SPAN MAX	0.30% SPAN MAX	0.10% SPAN MAX	0.10% SPAN MAX	0.10% SPAN MAX	0.20% SPAN MAX	±0.20% SPAN MAX
ACCURACY (25C) RSS / 2	±0.4% SPAN	±0.4% SPAN	±0.40% SPAN MAX	±0.2% SPAN	±0.2% SPAN	±0.2% SPAN	±0.2% SPAN	±0.40% SPAN MAX
TOTAL ACCURACY / 3	-18 to 63° C	±4.0% SPAN MAX	±1.50% SPAN MAX	±2.5% SPAN MAX	±2% SPAN MAX	±2% SPAN MAX	±2% SPAN MAX	±2.00% SPAN MAX
	-45 to 85° C	±2.25% SPAN MAX	±1.75% SPAN MAX	±2.5% SPAN MAX	±2% SPAN MAX	±2% SPAN MAX	±3% SPAN MAX	±4.00% SPAN MAX
	-45 TO 125° C / 5	±4.0% SPAN MAX	±1.75% SPAN MAX	±2.25% SPAN MAX	±3.0% SPAN MAX	±2.5% SPAN MAX	±3% SPAN MAX	±4.00% SPAN MAX

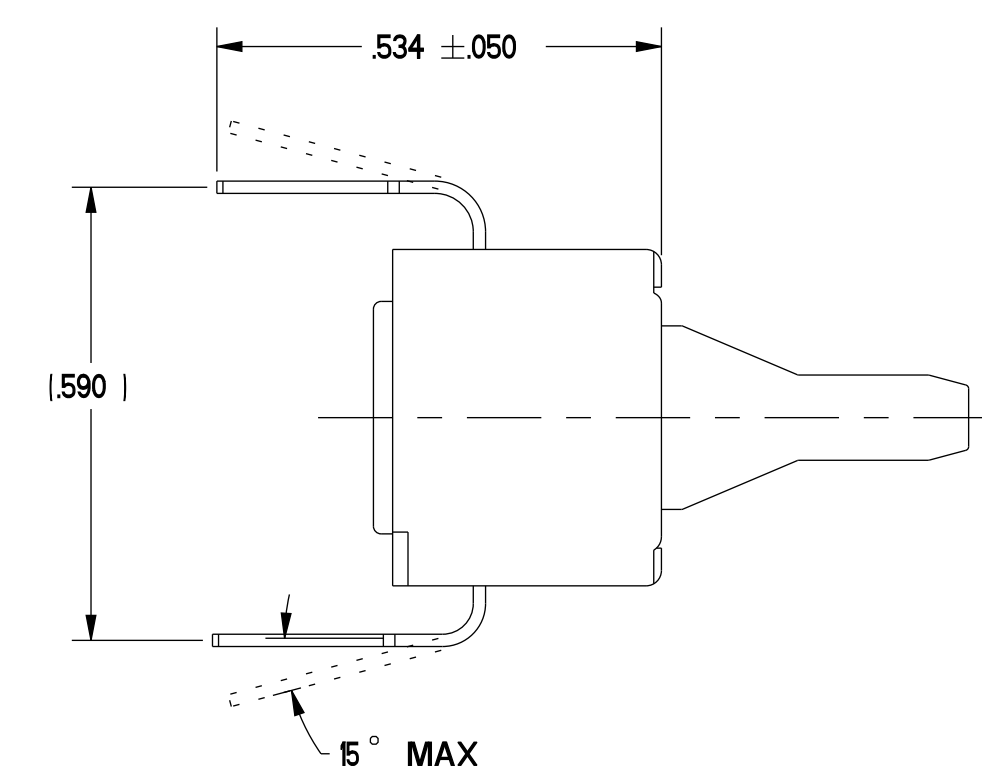
NOTES

- 1 TEMPERATURE ERROR IS THE MAXIMUM DEVIATION FROM 25° PERFORMANCE OVER THE ENTIRE TEMPERATURE RANGE SHOWN
- 2 ACCURACY IS DEFINED AS THE 25C, RSS ERRORS FOR LINEARITY, HYSTERESIS AND REPEATABILITY
- 3 TOTAL ACCURACY IS THE MAXIMUM DEVIATION FROM THE 25C REFERENCE TRANSFER FUNCTION AT ANY PRESSURE OR TEMPERATURE OVER THE SPECIFIED RANGES
- 4 OUTPUT CAN BE SHORTED TO THE POSITIVE TERMINAL OR THE GROUND TERMINAL
- 5 PRODUCT 100% TESTED AT THE -45 TO +85° C RANGE ONLY
- 6 INPUT MEDIA:
 - P1 - DRY GASES ONLY; MEDIA MUST BE COMPATIBLE WITH EPOXY BASED ADHESIVE
 - P2 - MEDIA MUST BE COMPATIBLE WITH GLASS, SILICON, STAINLESS STEEL, INVAR, Sn/Ni PLATING OR Sn/Ag SOLDER
- 7 PINS 4, 5 OR 6 ARE INTERNAL DEVICE CONNECTIONS, DO NOT CONNECT TO EXTERNAL CIRCUITRY OR GROUND, EXCEPT FOR AUTOMOTIVE GRADE
- 8 PRODUCT TESTED AT 250 PSI
- 9 500 PSI HAS A BURST PRESSURE UP TO 1250 PSI

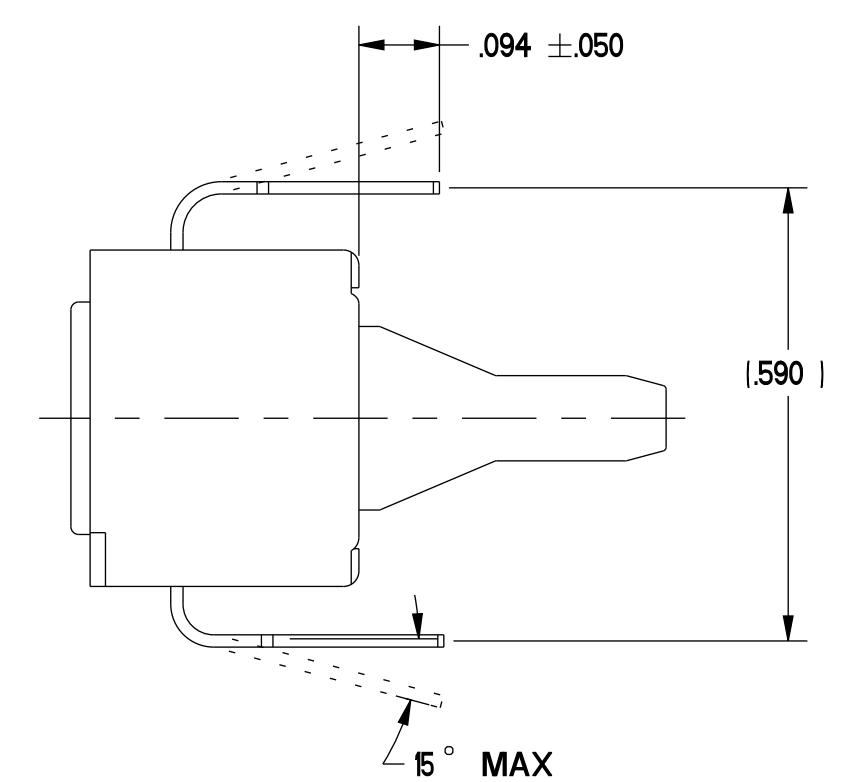
40PC



CATALOG LISTING	LEAD STYLE	PRESSURE RANGE	OVER-PRESSURE	SENSITIVITY	NULL (0 PSIG) VDC	SPAN VDC	OUTPUT PERFORMANCE AT 25°C AND 5.00±.01 VDC SUPPLY
40PC015G1A	1	0 TO 15 PSI	45 PSI	266.6 mV/PSI TYP	500±.10	4.000±.10	
40PC015G2A	2	0 TO 15 PSI	45 PSI	266.6 mV/PSI TYP	500±.10	4.000±.10	
40PC015G3A	3	0 TO 15 PSI	45 PSI	266.6 mV/PSI TYP	500±.10	4.000±.10	
40PC100G1A	1	0 TO 100 PSI	200 PSI	40.0 mV/PSI TYP	500±.040	4.000±.090	
40PC100G2A	2	0 TO 100 PSI	200 PSI	40.0 mV/PSI TYP	500±.040	4.000±.090	
40PC100G3A	3	0 TO 100 PSI	200 PSI	40.0 mV/PSI TYP	500±.040	4.000±.090	
40PC150G1A	1	0 TO 150 PSI	300 PSI	26.6 mV/PSI TYP	500±.040	4.000±.070	
40PC150G2A	2	0 TO 150 PSI	300 PSI	26.6 mV/PSI TYP	500±.040	4.000±.070	
40PC150G3A	3	0 TO 150 PSI	300 PSI	26.6 mV/PSI TYP	500±.040	4.000±.070	
40PC250G1A	1	0 TO 250 PSI	500 PSI	16.0 mV/PSI TYP	500±.040	4.000±.070	
40PC250G2A	2	0 TO 250 PSI	500 PSI	16.0 mV/PSI TYP	500±.040	4.000±.070	
40PC250G3A	3	0 TO 250 PSI	500 PSI	16.0 mV/PSI TYP	500±.040	4.000±.070	
40PC500G1A	1	0 TO 500 PSI	1000 PSI	8.0 mV/PSI TYP	500±.040	4.000±.090	
40PC500G2A	2	0 TO 500 PSI	1000 PSI	8.0 mV/PSI TYP	500±.040	4.000±.090	
40PC500G3A	3	0 TO 500 PSI	1000 PSI	8.0 mV/PSI TYP	500±.040	4.000±.090	
40PC015V1A	1	0 TO -15 PSI	30 PSI	266.6 mV/PSI TYP	500±.040	4.0±.1	
40PC015V2A	2	0 TO -15 PSI	30 PSI	266.6 mV/PSI TYP	500±.040	4.0±.1	
40PC015V3A	3	0 TO -15 PSI	30 PSI	266.6 mV/PSI TYP	500±.040	4.0±.1	
40PC030G1A	1	0 TO 30 PSI	60 PSI	133.3 mV/PSI TYP	500±.040	4.000±.080	
40PC030G2A	2	0 TO 30 PSI	60 PSI	133.3 mV/PSI TYP	500±.040	4.000±.080	
40PC030G3A	3	0 TO 30 PSI	60 PSI	133.3 mV/PSI TYP	500±.040	4.000±.080	
40PC006G1A	1	0 TO 300 mmHg	650 mmHg	13.33 mV/mmHg	500±.050	4.000±.050	
40PC006G2A	2	0 TO 300 mmHg	650 mmHg	13.33 mV/mmHg	500±.050	4.000±.050	
40PC006G3A	3	0 TO 300 mmHg	650 mmHg	13.33 mV/mmHg	500±.050	4.000±.050	
40PC150G1AS	1	0 TO 150 PSI	300 PSI	26.6 mV/PSI TYP	500±.040	4.000±.070	
40PC150GIAT	1	0 TO 150 PSI	300 PSI	26.6 mV/PSI TYP	500±.040	4.000±.070	



LEAD STYLE 2



LEAD STYLE 3

CAUTION
ELECTROSTATIC SENSITIVE DEVICES
DO NOT OPEN OR HANDLE EXCEPT AT A STATIC FREE WORKSTATION

ESD SENSITIVITY: CLASS 1