

This document, including the design, configuration and mechanical features revealed herein are the sole, confidential and proprietary property of Winchester Interconnect. Reproduction or use thereof, in whole or part, is prohibited without the prior written consent of Winchester Interconnect.

**NOTES:**

**MATERIALS:**

STAINLESS STEEL 303 PER ASTM A582.  
 STAINLESS STEEL 304 PER ASTM A240.  
 BERYLLIUM COPPER PER ASTM-B196.  
 PTFE PER ASTM D1710.  
 SILICONE PER A-A-59588.

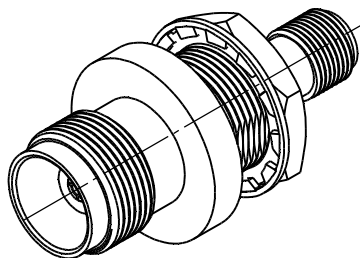
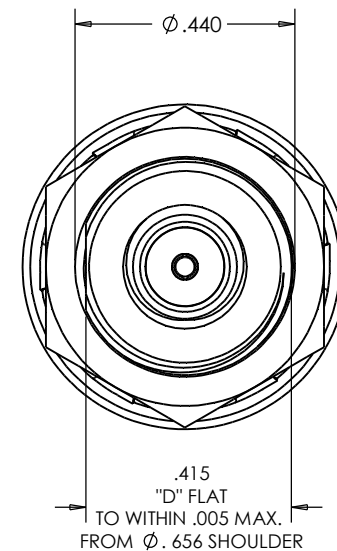
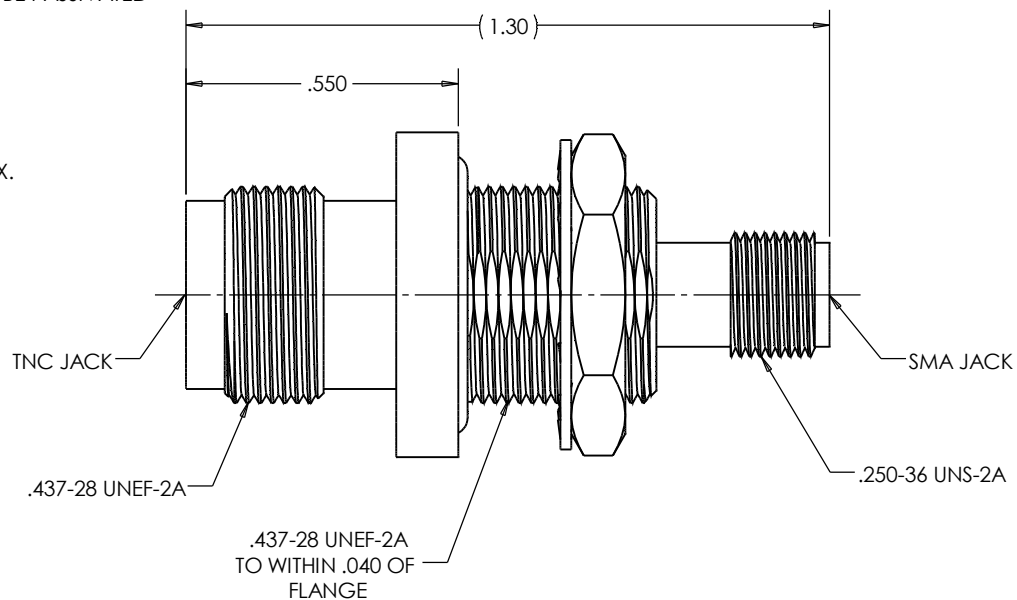
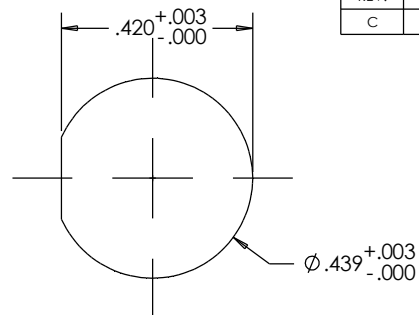
**FINISH:**

CENTER CONDUCTOR SHALL BE GOLD PLATED PER MIL-DTL-45204D OVER NICKEL PER SAE-AMS-QQ-N-290.  
 BODY AND BODY COMPONENTS SHALL BE PASSIVATED PER ASTM A380.

**ELECTRICALS:**

NOMINAL IMPEDANCE: 50 OHMS.  
 FREQUENCY RANGE: DC-18 GHz.  
 VSWR: 1.25 MAX (Product Only).  
 INSERTION LOSS (dB):  $.05 \times \sqrt{F(\text{GHz})}$  MAX.

REV.	DESCRIPTION	DATE	APPROVED
C	UPDATED PER ECO-13897	5/20/21	XXU



DO NOT SCALE DRAWING	DRAWN JVK	DATE 4/05
UNLESS OTHERWISE SPECIFIED: DIMENSIONS ARE IN INCHES	ENG APPR.	DATE
	MFG APPR.	DATE
	OTHER APPR. dcamello	DATE
	THIRD ANGLE PROJECTION	

**Winchester Interconnect.** 245 Lynnfield St. Peabody, MA 01960

TITLE: TNC JACK TO SMA JACK BLKD		
SIZE <b>B</b>	DWG. NO. 41-921-3500-00	REV <b>C</b>
PER ASME Y14.5M-1994	SCALE: 4:1	SHEET 1 OF 1

63/

