

Fixed Length Cable Assemblies

SMB MINI-75 OHM RIGHT ANGLE PLUG TO SMB MINI-75 OHM RIGHT ANGLE PLUG



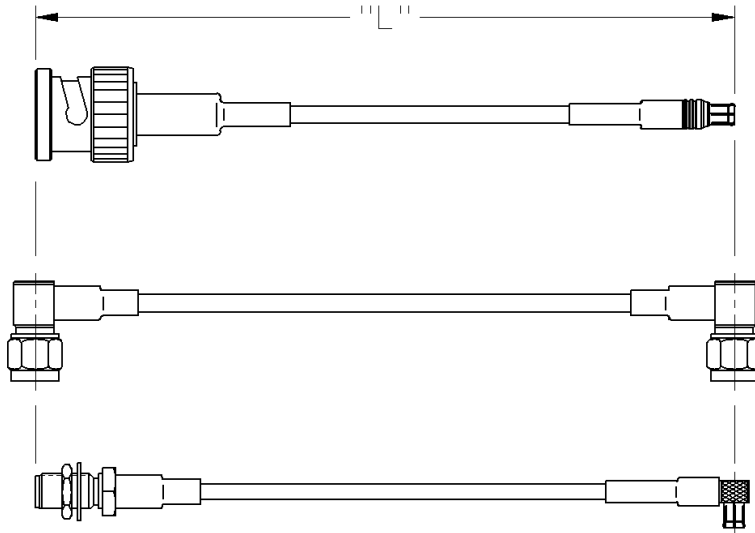
PART NUMBER	CABLE TYPE	CABLE LENGTH	CONNECTOR A	CONNECTOR B
415-0009-006	RG-179	6"	131-8403-111	131-8403-111
415-0009-012	RG-179	12"	131-8403-111	131-8403-111
415-0009-018	RG-179	18"	131-8403-111	131-8403-111
415-0009-024	RG-179	24"	131-8403-111	131-8403-111
415-0009-030	RG-179	30"	131-8403-111	131-8403-111
415-0009-036	RG-179	36"	131-8403-111	131-8403-111
415-0011-006	RG-179 DS	6"	131-8404-111	131-8404-111
415-0011-012	RG-179 DS	12"	131-8404-111	131-8404-111
415-0011-018	RG-179 DS	18"	131-8404-111	131-8404-111

PART NUMBER	CABLE TYPE	CABLE LENGTH	CONNECTOR A	CONNECTOR B
415-0011-024	RG-179 DS	24"	131-8404-111	131-8404-111
415-0011-030	RG-179 DS	30"	131-8404-111	131-8404-111
415-0011-036	RG-179 DS	36"	131-8404-111	131-8404-111
415-0013-006	Belden 735 A	6"	131-8445-101	131-8445-101
415-0013-012	Belden 735 A	12"	131-8445-101	131-8445-101
415-0013-018	Belden 735 A	18"	131-8445-101	131-8445-101
415-0013-024	Belden 735 A	24"	131-8445-101	131-8445-101
415-0013-030	Belden 735 A	30"	131-8445-101	131-8445-101
415-0013-036	Belden 735 A	36"	131-8445-101	131-8445-101

Electrical Ratings

Electrical ratings of a cable assembly are determined by the limiting connector type and cable size.

Connector	Cable	Connector Impedance (Ohms)	Frequency (GHz)	Dielectric Withstanding Voltage (Vrms)	Working Voltage (Vrms)
SMB Mini 75 Ohm	RG-179	75	2	1000 Vrms	335 Vrms
	RG-179 DS	75	2	1000 Vrms	335 Vrms
	BELDEN 735A	75	2	1000 Vrms	335 Vrms



Johnson Components' cable length applies to the end of straight connectors. The length is applied to the vertical centroid of right angle connectors.

The last three digits of the part number reflect the length of the cable in inches.