

415232-4 ✓ ACTIVE

TE Internal #: 415232-4

RF Connectors, N Type RF Interface, Plug, RF Connector Mated

Outer Diameter (Approximate) .75 in [19.05 mm], 50 Ω

[View on TE.com >](#)



Connectors > RF Coax Connectors > RF Connectors



RF Interface: **N Type**

RF Connector Style: **Plug**

RF Connector Mated Outer Diameter (Approximate): **19.05 mm [.75 in]**

Impedance: **50 Ω**

Compatible With RF Cable Type: **RG 142, RG 142A, RG 142B**

Features

Product Type Features

RF Interface	N Type
RF Connector Style	Plug
Compatible With RF Cable Type	RG 142, RG 142A, RG 142B
Connector System	Cable-to-Cable
Sealable	No
Connector & Contact Terminates To	Wire & Cable

Configuration Features

Number of Positions	1
Number of Coaxial Contacts	1

Electrical Characteristics

Impedance	50 Ω
-----------	------

Body Features

Cable Connector Orientation	Straight
Body Material	Brass
Body Plating Material	Nickel

Contact Features

RF Connector Center Contact Underplating Material	Nickel
RF Connector Contact Configuration	Not Captivated
Ferrule Plating Material	Nickel



Crimp Type	Hex
------------	-----

Ferrule Material	Brass
------------------	-------

RF Connector Center Contact Plating Material	Gold
--	------

RF Connector Center Contact Material	Brass
--------------------------------------	-------

Termination Features

Termination Method to Wire & Cable	Crimp
------------------------------------	-------

Mechanical Attachment

RF Connector Coupling Mechanism	Screw
---------------------------------	-------

Connector Mounting Type	Cable Mount (Free-Hanging)
-------------------------	----------------------------

RF Contact Captivation Method	Mechanical
-------------------------------	------------

Detent	Without
--------	---------

Dimensions

RF Connector Mated Outer Diameter (Approximate)	19.05 mm [.75 in]
---	-------------------

Usage Conditions

Operating Temperature Range	-55 – 85 °C [-67 – 185 °F]
-----------------------------	----------------------------

Operation/Application

Operating Frequency	11 GHz
---------------------	--------

Packaging Features

Packaging Method	Carton
------------------	--------

Other

Grade	Mil-Type
-------	----------

Collar Type	Knurl
-------------	-------

Dielectric Material	PTFE
---------------------	------

Product Compliance

[For compliance documentation, visit the product page on TE.com>](#)

EU RoHS Directive 2011/65/EU	Not Yet Reviewed
------------------------------	------------------

EU ELV Directive 2000/53/EC	Not Compliant
-----------------------------	---------------

China RoHS 2 Directive MIIT Order No 32, 2016	Restricted Materials Above Threshold
---	--------------------------------------

EU REACH Regulation (EC) No. 1907/2006	Current ECHA Candidate List: JAN 2021 (211) Candidate List Declared Against: JUL 2017 (174)
--	--

SVHC > Threshold:
Not Yet Reviewed

Halogen Content

Low Bromine/Chlorine - Br and Cl < 900 ppm per homogenous material. Also BFR /CFR/PVC Free

Solder Process Capability

Not applicable for solder process capability

Product Compliance Disclaimer

This information is provided based on reasonable inquiry of our suppliers and represents our current actual knowledge based on the information they provided. This information is subject to change. The part numbers that TE has identified as EU RoHS compliant have a maximum concentration of 0.1% by weight in homogenous materials for lead, hexavalent chromium, mercury, PBB, PBDE, DBP, BBP, DEHP, DIBP, and 0.01% for cadmium, or qualify for an exemption to these limits as defined in the Annexes of Directive 2011/65/EU (RoHS2). Finished electrical and electronic equipment products will be CE marked as required by Directive 2011/65/EU. Components may not be CE marked. Additionally, the part numbers that TE has identified as EU ELV compliant have a maximum concentration of 0.1% by weight in homogenous materials for lead, hexavalent chromium, and mercury, and 0.01% for cadmium, or qualify for an exemption to these limits as defined in the Annexes of Directive 2000/53/EC (ELV). Regarding the REACH Regulations, TE's information on SVHC in articles for this part number is still based on the European Chemical Agency (ECHA) 'Guidance on requirements for substances in articles' (Version: 2, April 2011), applying the 0.1% weight on weight concentration threshold at the finished product level. TE is aware of the European Court of Justice ruling of September 10th, 2015 also known as O5A (Once An Article Always An Article) stating that, in case of 'complex object', the threshold for a SVHC must be applied to both the product as a whole and simultaneously to each of the articles forming part of its composition. TE has evaluated this ruling based on the new ECHA "Guidance on requirements for substances in articles" (June 2017, version 4.0) and will be updating its statements accordingly.

Compatible Parts



TE Part # 1057341-1
3080 2240 00



TE Part # 1057343-1
3080 2242 00



TE Part # 1057463-1
3084 2240 00



TE Part # 1-5225661-2
SERIES N PLUG TR



TE Part # 1057159-1
3004 7941 00



TE Part # 1057290-1
3052 1201 10,N SERIES FM PLUG



TE Part # 1057293-1
3052 1648 10



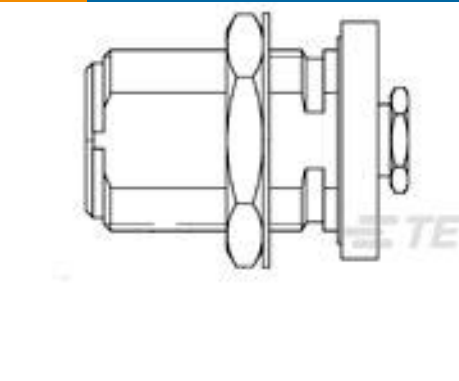
TE Part # 1057377-1
3082 2240 00,ADAPTER,N TO SMA



TE Part # 1058653-1
3680 2242 00



TE Part # 5225664-2
N SERIES JACK W/P TR



TE Part # 1057138-1
3004 7341 10



TE Part # 1-5225664-2
N SER JACK W/P TR



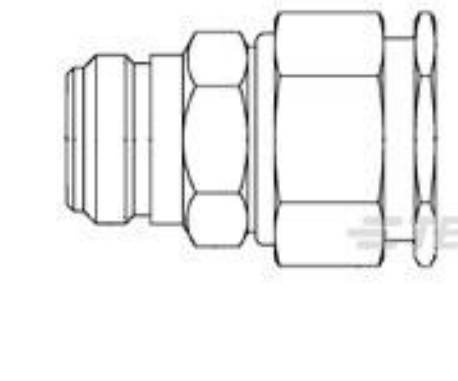
TE Part # 1058675-1
3684 2240 00



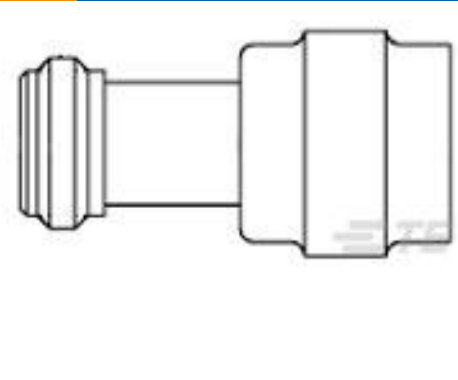
TE Part # 1-225094-4
SERIES N BULKHEAD JACK



TE Part # 1-225668-1
"N" SERIES BLKHD JACK



TE Part # 1058663-1
3682 0000 02



TE Part # 1058668-1
3682 2305 10



TE Part # 1274784-1
N Series Blkhd Jack, LMR-240



TE Part # 227997-1
N SERIES JACK TERMINATOR



TE Part # 292728-1
N TYPE JACK WEATHER PROOF

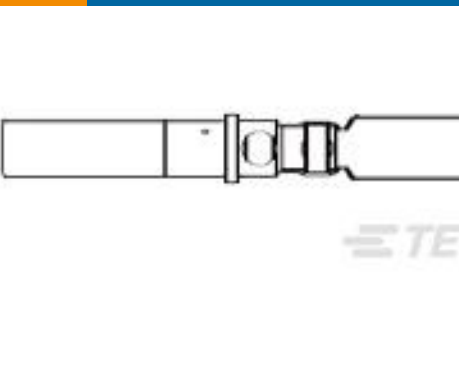
Customers Also Bought



TE Part #293973-000
TXR40AB00-1612AI



TE Part #658819-000
TXR40AB00-1006AI



TE Part #507762-000
D-602-0145



TE Part #430079-000
7528A5314-0



TE Part #918455-000
RBD-75-S-00



TE Part #554173-000
TXR40AB00-1406AI



TE Part #385193-000
D-181-2224-90/9



TE Part #440063-007
7528A1317-0