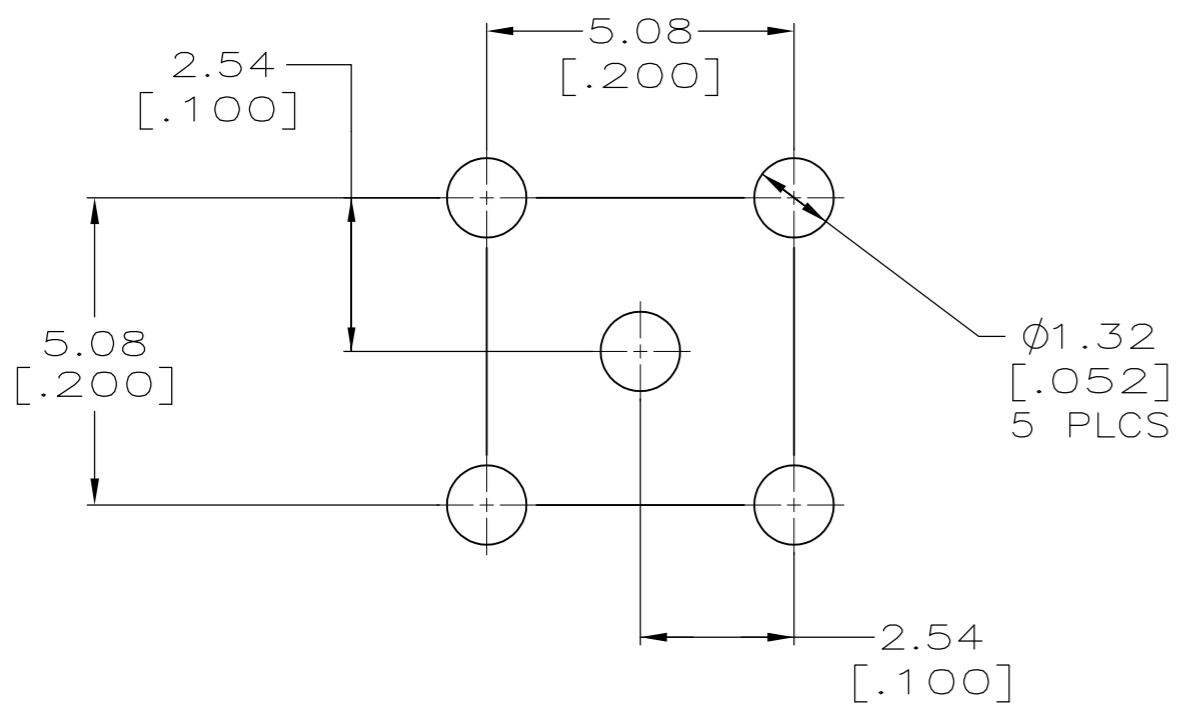
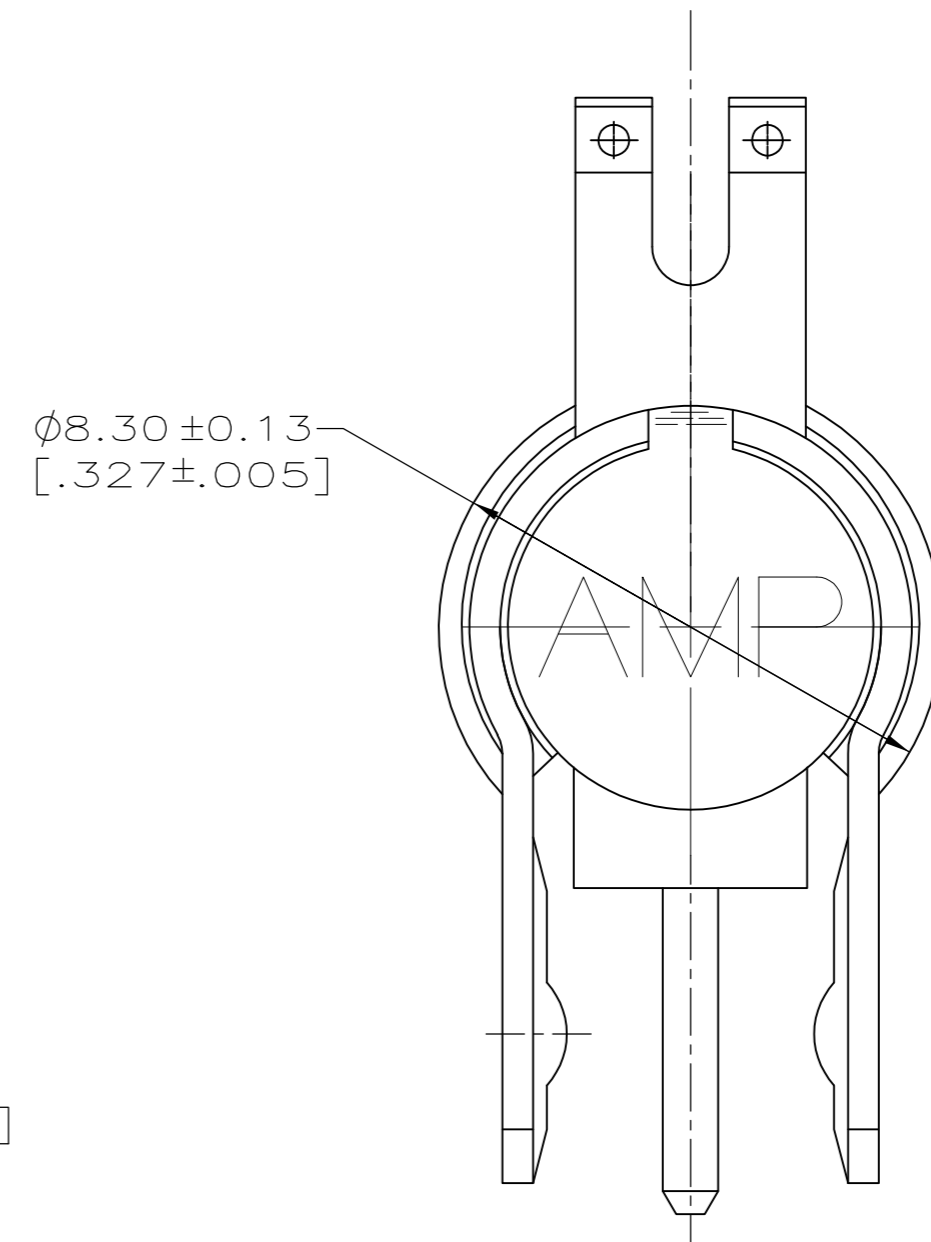
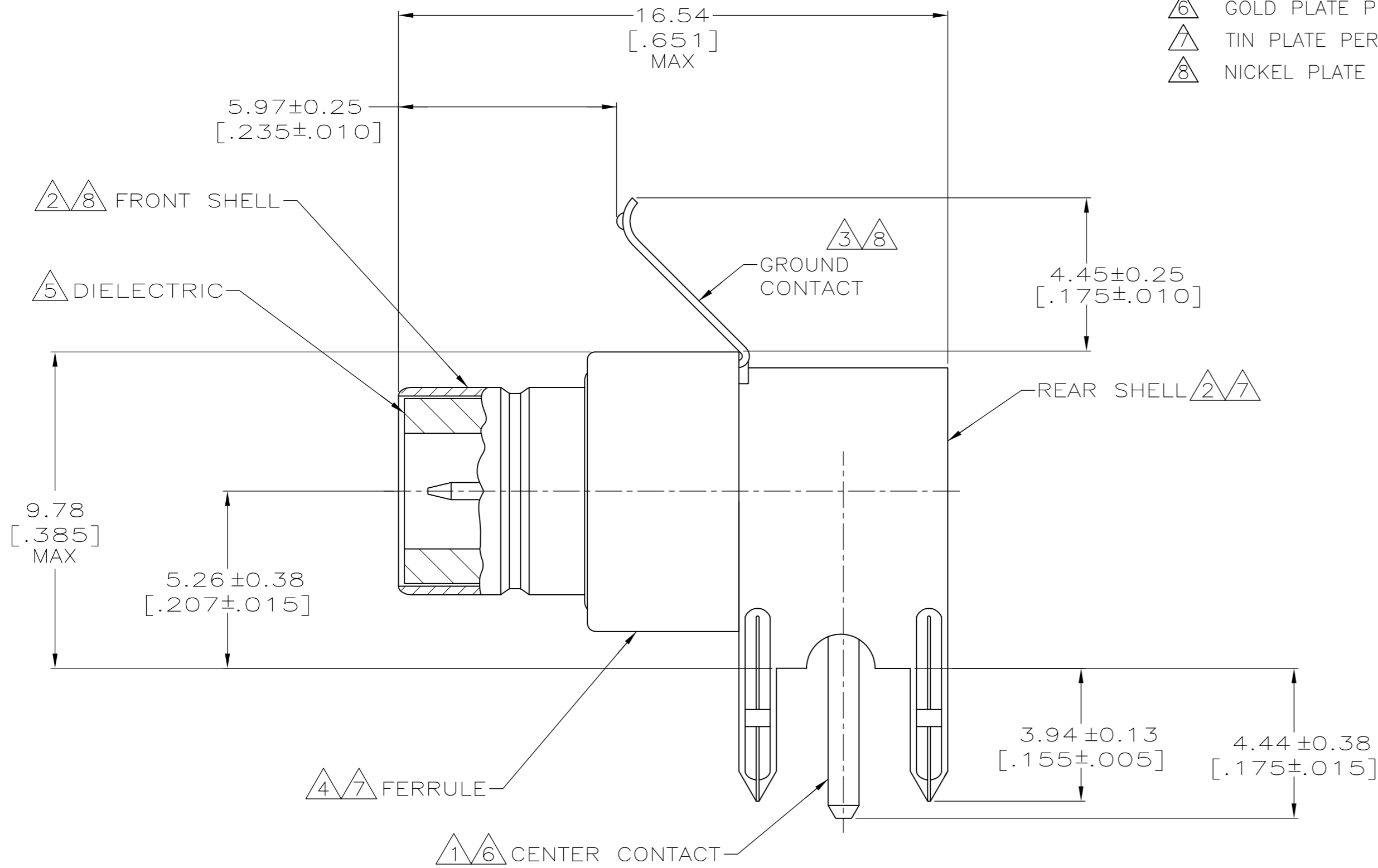


THIS DRAWING IS UNPUBLISHED. RELEASED FOR PUBLICATION
 © COPYRIGHT BY TYCO ELECTRONICS CORPORATION. ALL RIGHTS RESERVED.

LOC	DIST	REVISIONS			
P	LTR	DESCRIPTION	DATE	DWN	APVD
AJ	16	C	REVISED PER ECO-10-009236	05MAY10	HMR KW

- ① BRASS PER ASTM-B-16.
- ② BRASS PER ASTM-B-36.
- ③ PHOSPHOR BRONZE PER ASTM-B-103.
- ④ COPPER ALLOY
- ⑤ POLYMETHYLPENTENE (TPX MX004).
- ⑥ GOLD PLATE PER MIL-G-45204.
- ⑦ TIN PLATE PER ASTM-B-545.
- ⑧ NICKEL PLATE PER QQ-N-290.



RECOMMENDED PCB HOLE CONFIGURATION

415895-1

PART NUMBER

THIS DRAWING IS A CONTROLLED DOCUMENT.		DWN B MOYER 03FEB98	Tyco Electronics Corporation Harrisburg, PA 17105-3608	
DIMENSIONS: mm [inches]		CHK B. MOYER 11FEB98	NAME S. BURKHOLDER	
TOLERANCES UNLESS OTHERWISE SPECIFIED: 0 PLC ± - 1 PLC ± - 2 PLC ± 0.05 [.002] 3 PLC ± - 4 PLC ± - ANGLES ± -		APVD S. BURKHOLDER 11FEB98	PRODUCT SPEC APPLICATION SPEC	
MATERIAL ①②③④⑤⑥⑦⑧		FINISH ⑥⑦⑧	SIZE A2	RESTRICTED TO -
CUSTOMER DRAWING		WEIGHT -	CAGE CODE 00779	DRAWING NO C=415895
		SCALE 8:1	SHEET 1 OF 1	REV C