

IE-1000

The Digital View IE-1000 image enhancer board, improves 10 bit 120Hz display.

The IE-1000 is a HD image enhancer interface board capable of driving 10-bit, 120 Hz LCD panels up to 1920 x 1200. Benefits include elimination of film judder and reduced blur caused by latent LCD response times via fast motion compensation frame interpolation. The IE-1000 is an add-on board that can be used with the SVH-1920 LCD Controller, as well as the SVX-1920 and SVH-1920+ LCD Controller.

Panel Connectivity

TFT: •1920x1200, 120Hz
•1920x1080, 120Hz

Features

Image :

Eliminates film judder and reduces blur caused by latent LCD response time via fast motion compensation frame interpolation.

Signal support capability:

Input port :

2 channel LVDS @max 85MHz each

Supports up to 1080p@60Hz

Output port :

4 channel LVDS @85MHz each

Supports up to 1920x1200 120Hz panel resolution.

Colors: Up to 10 bit per color, ie 1.07 billion of colors.

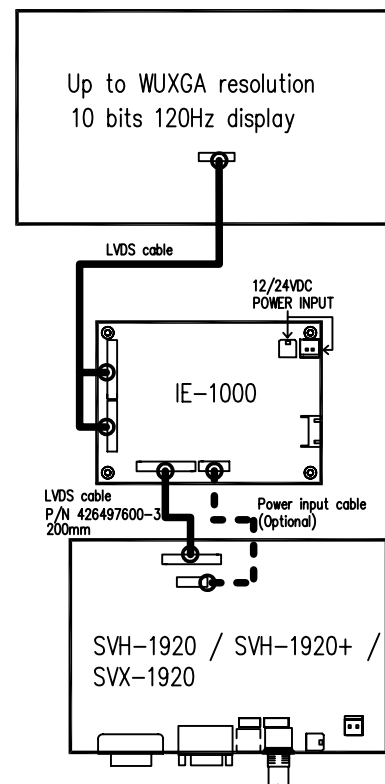
Power Requirements: +12VDC / +24VDC ±5%, 15W
(IE-1000 only)

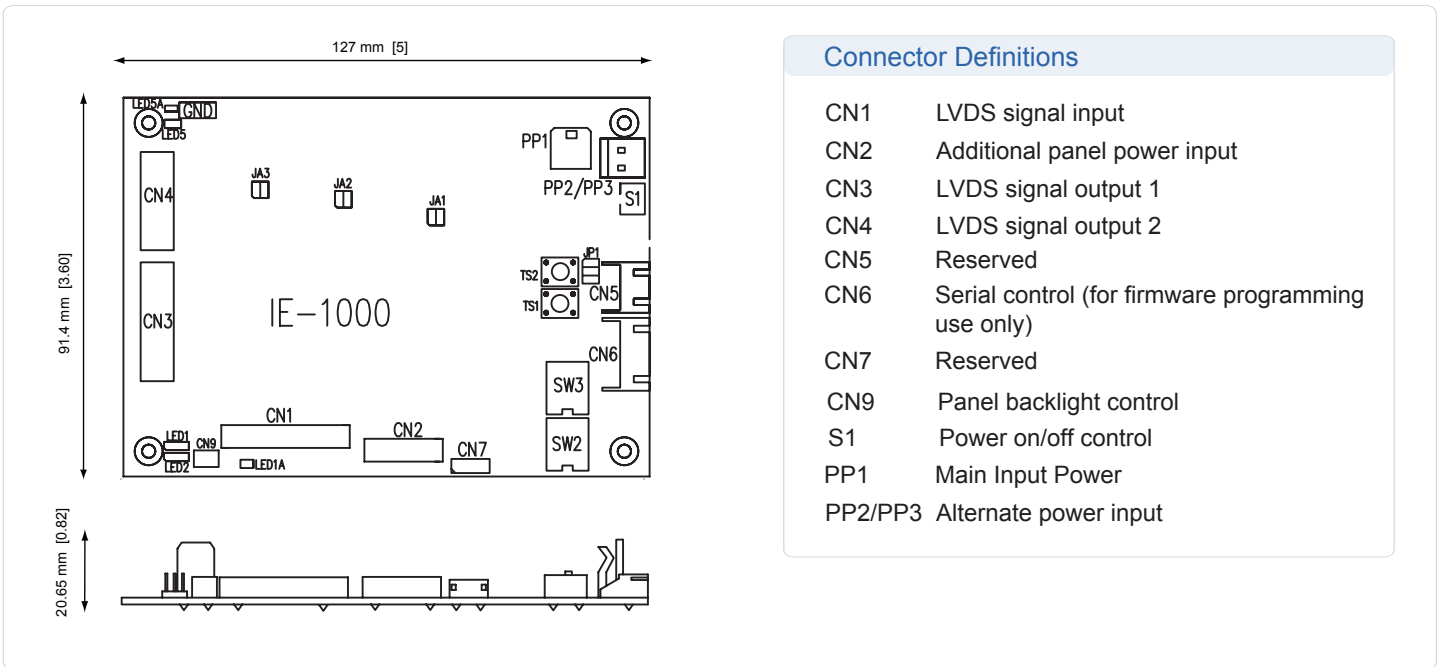
Status Indicator: On board LED status for power in and Signal.

Reliability

Calculated Mean Time Between Failures - In excess of 100,000 hours. Warranty - 3 years.

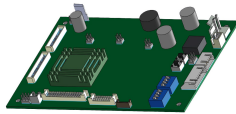
System configuration





Connector Definitions

CN1	LVDS signal input
CN2	Additional panel power input
CN3	LVDS signal output 1
CN4	LVDS signal output 2
CN5	Reserved
CN6	Serial control (for firmware programming use only)
CN7	Reserved
CN9	Panel backlight control
S1	Power on/off control
PP1	Main Input Power
PP2/PP3	Alternate power input



Ready-made 3D Pro-E (SLDPRT) drawing files

Save time and effort for your system volumetric analysis design. Includes jpg file previews.



Controller Solution Generator

A web based resource matching controllers & panels with connection diagrams for download.

Accessories*

- 426013800-3 Power-Input Cable for PP1, 160mm
- 426497600-3 LVDS cable connect between IE-1000 and controller.
- 416040010-3 RS-232 Cable (for firmware programming)

* See accessories page on website for details.

** Available upon request.

Available Documentation

- Instruction Manual
- Revision control documentation
- Schematic diagrams (Subject to NDA)
- Mechanical Drawings
- Serial Port Programming Manual**

ASIA

Digital View Ltd.
16th Floor Millennium City 3
370 Kwun Tong Road
Kwun Tong, Hong Kong

Tel: (852) 2861-3615
Fax: (852) 2520-2987
Email: hksales@digitalview.com

USA

Digital View Inc.
18440 Technology Drive
Morgan Hill, CA 95037
USA

Tel: 1 (408) 782-7773
Fax: 1 (408) 782-7883
Email: ussales@digitalview.com

EUROPE

Digital View Ltd.
6 Marylebone Passage
London, W1W 8EX
UK

Tel: +44 20-7631-2150
Fax: +44 20-7631-2156
Email: uksales@digitalview.com