

BB-422PP9R BB-422PP9TB

RS-422 Converters, Port Powered



Features

- Extend RS-232 data signals up to 1.2 km
- Change RS-232 TD and RD to balanced RS-422 signals
- Baud rates up to 115.2 kbps
- Quick, inline installation
- Powered from RS-232 handshake lines - no power supply required
- At least one handshake line must be present (positive or negative voltage) - no software control needed
- RS-232/RS-422 bidirectional transmission

Specifications

Serial Technology

- **Data Rate** 115.2 kbps maximum

RS-232

- **Connector** BB-422PP9R: DB9 female
BB-422PP9TB: DB9 female
- **Signals** TD, RD, RTS, CTS, DTR, DSR, DCD, (GND)

RS-422

- **Connector** BB-422PP9R: DB9 female
BB-422PP9TB: Terminal block
- **Signals** TDA+, TDB+, RDS-, RDB+, (GND)
- **Operation** RS-422, 4-wire
- **Biassing Resistors** 4.7k Ohms
- **Termination** None

Power

- **Source** Port-powered from RS-232 handshake lines
Optional, external 12-16 V_{DC} power supply
(BB-422PP9TB only)

Mechanical

- **Dimensions** BB-422PP9R: 6.1 x 3.3 x 1.7 cm
BB-422PP9TB: 8.9 x 3.3 x 1.7 cm
- **Enclosure** Plastic, In-line
- **Weight** 45.3 gm

Meantime Between Failures (MTBF)

- **MTBF** BB-422PP9R: 2094328
BB-422PP9TB: 849670
- **MTBF Calc. Method** MIL 217F Parts Count Reliability Prediction

Environmental

- **Operating Temperature** 0 to +70 °C
- **Storage Temperature** -40 to +85 °C
- **Operating Humidity** 0-95%, non-condensing

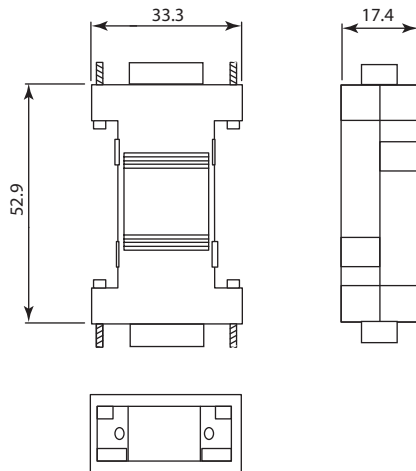
Approvals, Directives, Standards

- **FCC, CE**
- **CE - Directives** 2014/30/EU – Electromagnetic Compatibility Directive
2011/65/EU amended by 2015/863/EU – Reduction of Hazardous Substances Directive (RoHS)
2012/19/EU – Waste Electrical and Electronic Equipment (WEEE)
- **CE - Standards** EN 55032 Class A – Electromagnetic Compatibility of Multimedia Equipment – Emission requirements
EN 55024 – Information Technology Equipment – Immunity Characteristics – Limits and methods of measurement
EN 61000-6-4 + A1 – Generic Emission Standard for Industrial Environments (Class A)
EN 61000-6-2 – Generic Immunity Standard for Industrial Environments

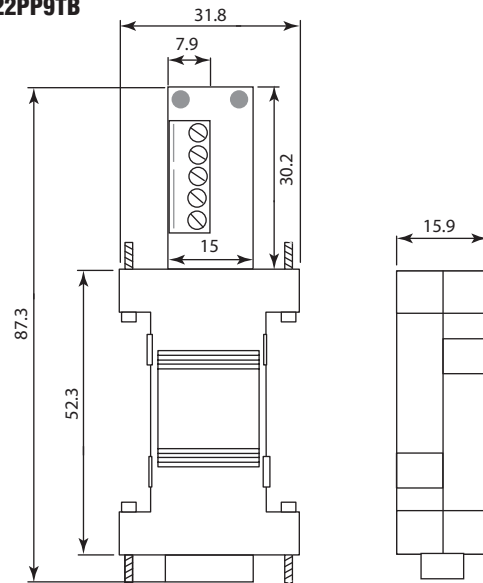
Dimensions

Unit: mm

BB-422PP9R



BB-422PP9TB



Ordering Information

Model Number	RS-232 Connector	RS-422 Connector	Output	External Power Option?
BB-422PP9R	DB9 Female	DB9 Female	RS-422	No
BB-422PP9TB	DB9 Female	Terminal Block	RS-422	Yes

Accessories – Sold Separately

- **BB-SMI6-12-V-ST** 12V_{DC}, 6W power supply, stripped/tinned, international AC input
(Note: external powering option for BB-422PP9TB only.)
- **BB-9PAMF6** DB9 male to DB9 female adapter cable, 1.8 m