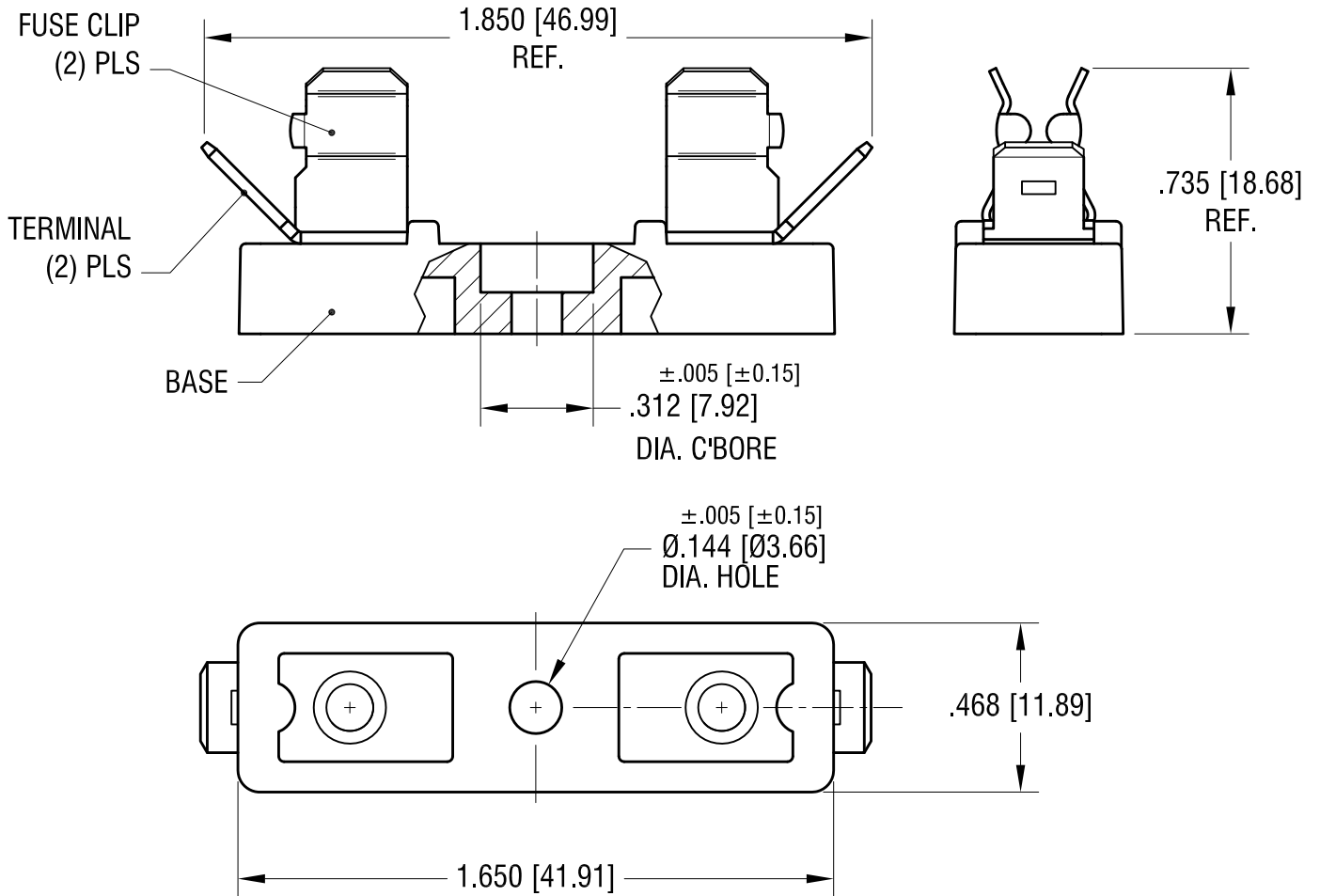
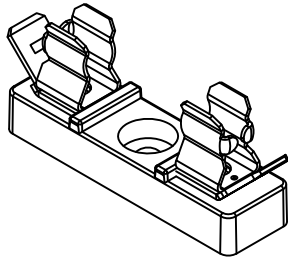


THIS DOCUMENT IS THE PROPERTY OF  
KEYSTONE ELECTRONICS CORP. AND  
SHALL NOT BE REPRODUCED, DISTRIBUTED  
OR USED AS A BASIS FOR MANUFACTURE  
WITHOUT PRIOR WRITTEN PERMISSION  
FROM KEYSTONE ELECTRONICS CORP.



NOTES:

1. BASE: MAT'L- LCP UL94V-0 BLACK
2. FUSE CLIP: MAT'L- .020 [0.50] TH'K BRASS  
FINISH- NICKEL PLATE
3. TERNIMAL: MAT'L- .032 [0.81] TH'K BRASS  
FINISH- NICKEL PLATE

7.16.10	CHANGE AS PER ECN 10-054	C
11.16.04	CHANGE AS PER ECN 04-142	B
DATE	DESCRIPTION	REV.

<b>KEYSTONE ELECTRONICS CORP.</b>			
www.keyelco.com • ASTORIA, N.Y. 11105-2017 • Tel (718) 956-8900			
PART NAME			
QUICK-FIT 3AG FUSE HOLDER			
MATERIAL			
AS NOTED			
FINISH		DRN BY	DATE
AS NOTED		BOONE	3.9.84
		APP'D	SCALE
		LN	2X
TOLERANCES	INCH [MM]	CODE	DWG NO.
DECIMAL	± .015 [± 0.38]	C	<b>4243</b>
ANGULAR	± 1°		
UNLESS OTHERWISE SPECIFIED			