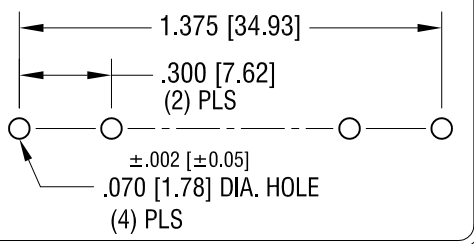
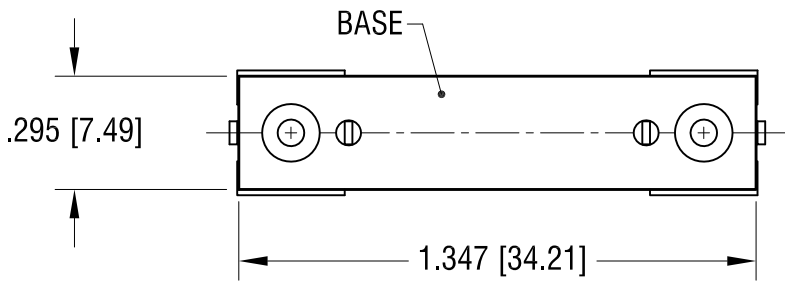
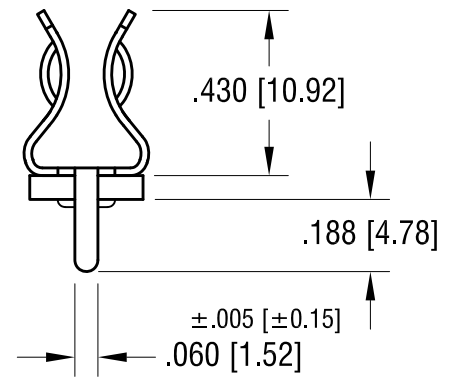
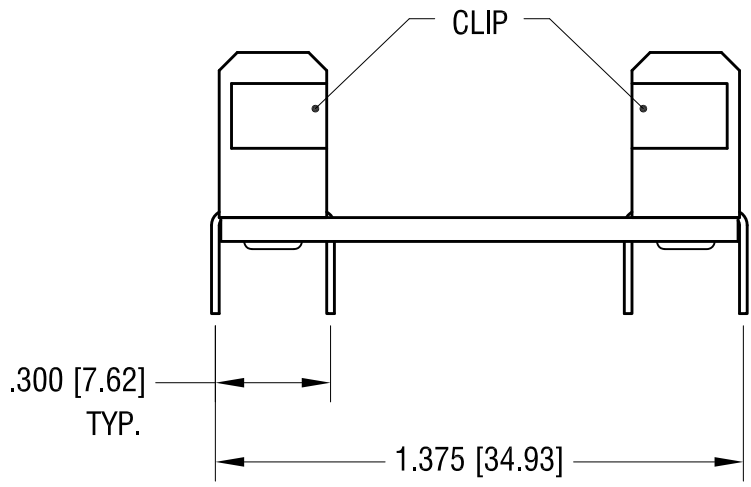
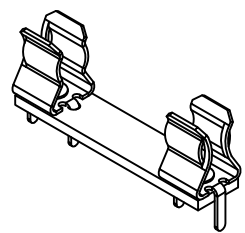


THIS DOCUMENT IS THE PROPERTY OF
KEYSTONE ELECTRONICS CORP. AND
SHALL NOT BE REPRODUCED, DISTRIBUTED
OR USED AS A BASIS FOR MANUFACTURE
WITHOUT PRIOR WRITTEN PERMISSION
FROM KEYSTONE ELECTRONICS CORP.


MOUNTING DETAIL



ACTUAL SIZE



NOTES:

1. BASE: MAT'L: .062 [1.57] TH'K G10 FIBREGLASS
UL 94V-0
2. CLIP: P/N 3514
MAT'L: BRASS, MATTE TIN PLATED
3.  FILE NUMBER: E354010

3.08.23	BASE MAT'L WAS GPO-3 UL 94V-0. CHANGE AS PER ECN 23-033	D
4.01.11	CHANGE AS PER ECN 11-042	C
3.6.98	CHANGE AS PER ECR 98-016	B
10 23.96	CHANGE AS PER ECR 96-049	A
DATE	DESCRIPTION	REV.

KEYSTONE ELECTRONICS CORP.			
www.keyelco.com • NEW HYDE PARK NY 11040 • Tel (516)328-7500			
PART NAME		3AG FUSE HOLDER	
MATERIAL		AS NOTED	
FINISH		DRN BY	DATE
AS NOTED		BOONE	9.20.82
		APP'D	SCALE
		MR	2X
TOLERANCES	INCH [MM]	CODE	DWG NO.
DECIMAL	± .015 [± 0.38]	C	4245
ANGULAR	± 1°		
UNLESS OTHERWISE SPECIFIED			