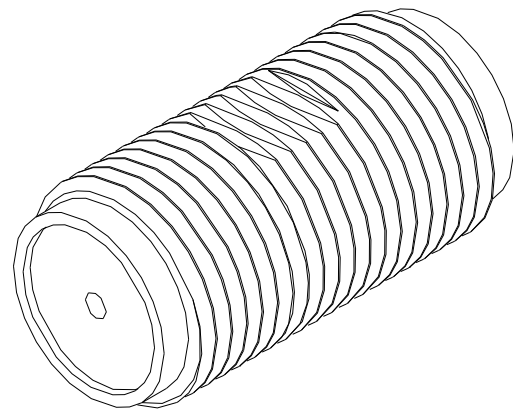
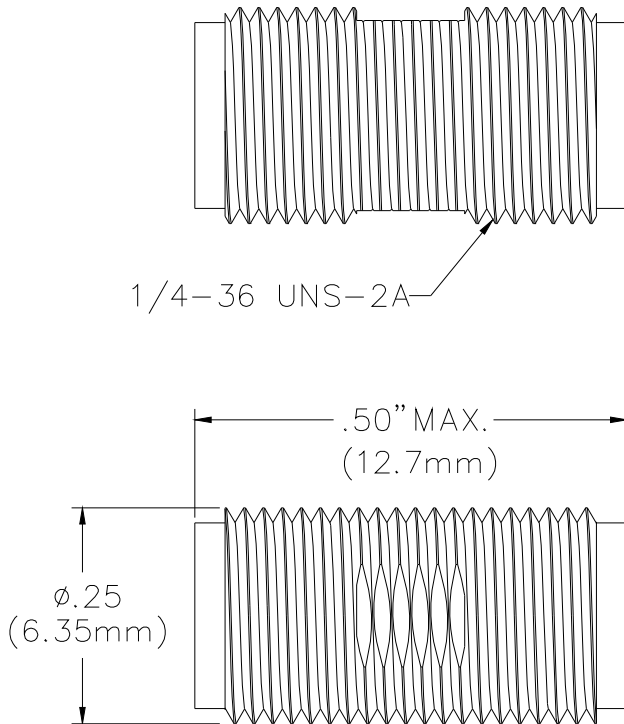


Models 4284
SMA Female To Female Adapter**MATERIALS:**

Body: Gold Plated Beryllium Copper per QQ-C-530, Cond. HT.

Center Contact (Female): Gold Plated Beryllium Copper per QQ-C-530, Cond. HT

Insulation: Teflon per L-P-403.

Finish:

Body and Contact: Gold plate per MIL-G-45204, Type II, Class 2.

RATINGS:

Operating Temperature: -65°C. (-85°F.) to +165°C. (+329°F.)

Operating Voltage: 1000 VRMS, 60 Hz at sea level

Insulation Resistance: 5000 Megohms Min.

Frequency Range: 0-12.4 GHz.

USA: Sales: 800-490-2361 Technical Support: 800-241-2060 Fax: 888-403-3360

Europe: 31-(0) 40 2675 150 **International:** 425-446-5500

e-mail: technicalsupport@pomonatest.com

Where to Buy: www.pomonaelectronics.com

All dimensions are in inches. Tolerances (except noted): .xx = ±.02" (.51 mm), .xxx = ±.005" (.127 mm). All specifications are to the latest revisions. Specifications are subject to change without notice. Registered trademarks are the property of their respective companies.