

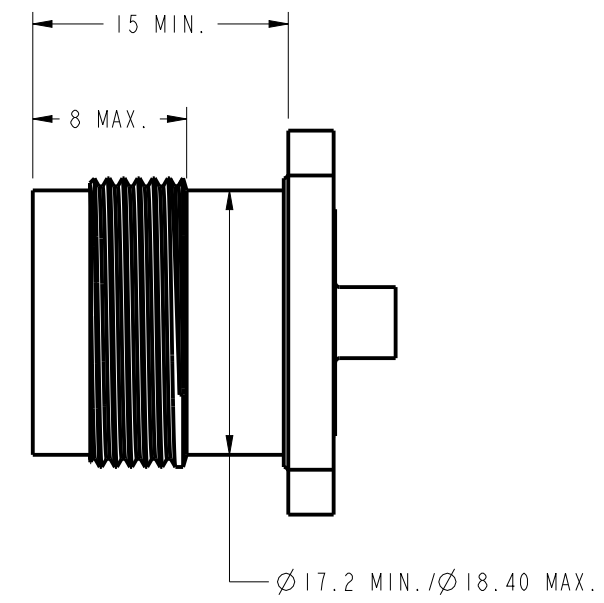
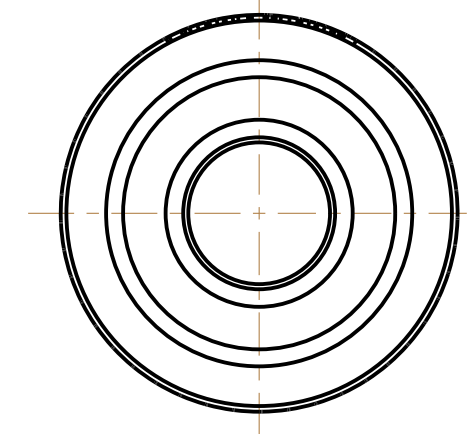
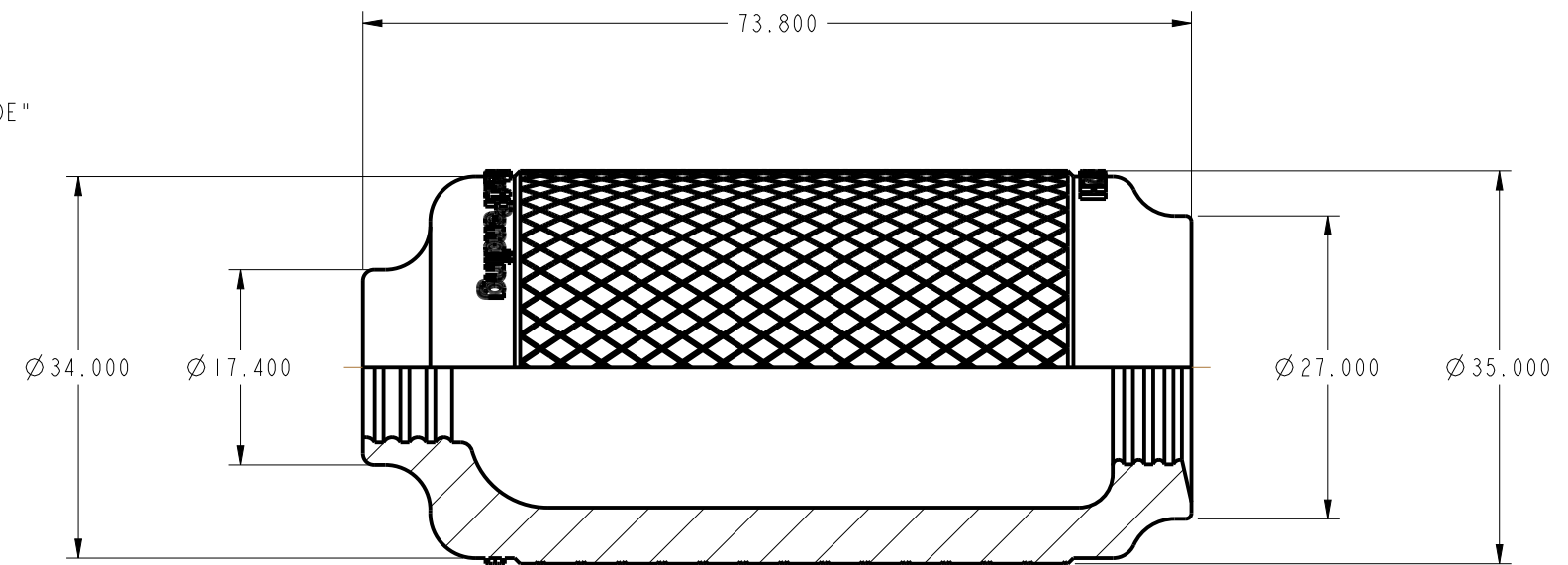
NOTES:

1. MATERIALS AND FINISHES:
RUBBER
2. ENVIRONMENTAL:
 - A. UV RESISTANT (1120W/960H)
 - B. LIFE: 10 YEARS
 - C. WORKING TEMPERATURE: -55°C TO 155°C
 - D. ACID ALKALI RESISTANT
 - E. WATERPROOFING STANDARD: IP-67
3. PACKAGING:
 - A. QUANTITY: SINGLE PACK
 - B. MARKING: BAG TO BE MARKED "AMPHENOL, 431-10002, AND DATE CODE"

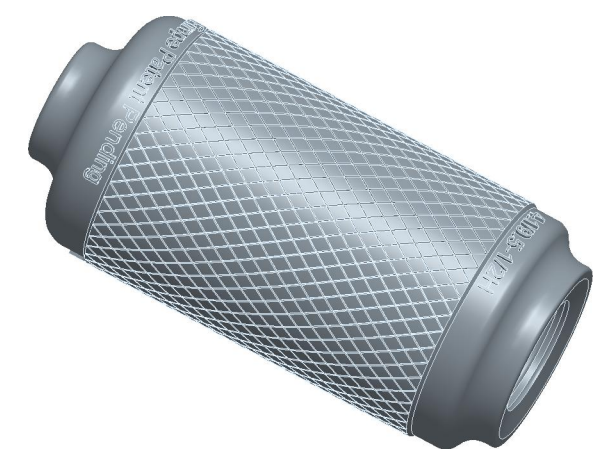
THIRD ANGLE PROJ.

REVISIONS

REV	DESCRIPTION	DATE	ECO	APPR
A	RELEASE TO MFG.	11/4/16	02343	KCE



MATING JACK REQUIREMENTS
(NOT INCLUDED)



CUSTOMER OUTLINE DRAWING
ALL OTHER SHEETS ARE FOR INTERNAL USE ONLY

UNLESS OTHERWISE SPECIFIED, DIMENSIONS ARE IN METRIC AND TOLERANCES ARE: <0.5mm ±0.05mm 0.5 - 6mm ±0.1mm 6 - 30mm ±0.2mm 30 - 120mm ±0.3mm ANGLES ±1°	MATERIAL	DRAWN K. ELMES	DATE 21-Sep-16	TITLE 4.1/9.5 & 4.3/10 - 1/2" H WPS BOOT		Amphenol RF www.amphenolrf.com	
	REFERENCE EAR# 7408	ENGINEER K. ELMES	DATE 21-Sep-16				
NOTICE - These drawings, specifications, or other data (1) are, and remain the property of Amphenol corp. (2) must be returned upon request; and (3) are confidential and not to be disclosed to any person other than those to whom they are given by Amphenol Corp. the furnishing of these drawings, specifications, or other data by Amphenol Corp., or to any other person to anyone for any purpose is not to be regarded by implication or otherwise in any manner licensing, granting rights to permitting such holder or any other person to manufacture, use or sell any product, process or design, patented or otherwise, that may in any way be related to or disclosed by said drawings, specifications, or other data.	CONFIGURATION LEVEL: In Work	APPROVED K. CAPOZZI	DATE 11/4/16	SCALE: 1.0:1.0	SHEET 2 OF 2	ITEM NO. 431-10002	
	FINISH	CAD FILE	DWG SIZE B		REV A	PART NO. 431-10002	