

Click here for legacy 4300N series datasheet (parts date coded prior to 2016)

# DC axial fans

□ 119 x 32 mm



- **Material:** Housing: GRP<sup>1)</sup> (PBT)  
Impeller: GRP<sup>1)</sup> (PA)
  - **Direction of air flow:** Exhaust over struts
  - **Direction of rotation:** Clockwise, looking towards rotor
  - **Connection:** Via single wires AWG 24, TR 64
  - **Weight:** 250 g
- **Possible special versions:**
    - Speed signal
    - Go / No Go alarm
    - Alarm with speed limit
    - External temperature sensor
    - Internal temperature sensor
    - PWM control input
    - Analog control input
    - Moisture protection
    - Salt spray protection
    - Degree of protection: IP 54 / IP 68

1) Fiberglass-reinforced plastic

Series 4300 N

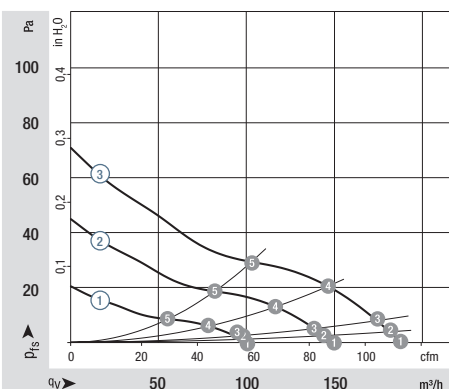
Nominal data

| Type     | Air flow          |      | Nominal voltage | Voltage range | Sound pressure level | Sound power level | Sinter sleeve bearings<br>Ball bearings | Power consumption | Nominal speed | Temperature range | Service life L10 (40 °C)<br>ebm-papst standard | Service life L10 (Tmax)<br>ebm-papst standard | Life expectancy<br>L10IPC(40 °C) | Curve |
|----------|-------------------|------|-----------------|---------------|----------------------|-------------------|---|-------------------|---------------|-------------------|--|---|----------------------------------|-------|
|          | m <sup>3</sup> /h | cfm  |                 |               |                      |                   |   |                   |               |                   |  |   |                                  |       |
| 4312 NL* | 100               | 58,8 | 12              | 6...15        | 25                   | 3,9               | ■                                       | 1,0               | 1 450         | -20...+75         | 95 000 / 37 500                                | 160 000                                       | 160 000                          | ①     |
| 4312 NM* | 150               | 88,2 | 12              | 6...15        | 36                   | 4,9               | ■                                       | 2,0               | 2 150         | -20...+75         | 85 000 / 32 500                                | 142 000                                       | 142 000                          | ②     |
| 4312 NN* | 190               | 112  | 12              | 6...15        | 41                   | 5,5               | ■                                       | 4,0               | 2 700         | -20...+75         | 72 500 / 30 000                                | 122 000                                       | 122 000                          | ③     |
| 4314 NL* | 100               | 58,8 | 24              | 12...28       | 25                   | 3,9               | ■                                       | 1,0               | 1 450         | -20...+75         | 95 000 / 37 500                                | 160 000                                       | 160 000                          | ①     |
| 4314 NM* | 150               | 88,2 | 24              | 12...28       | 36                   | 4,9               | ■                                       | 2,0               | 2 150         | -20...+75         | 85 000 / 32 500                                | 142 000                                       | 142 000                          | ②     |
| 4314 NN  | 190               | 112  | 24              | 12...28       | 41                   | 5,5               | ■                                       | 4,0               | 2 700         | -20...+75         | 72 500 / 30 000                                | 122 000                                       | 122 000                          | ③     |
| 4318 NN* | 190               | 112  | 48              | 36...60       | 41                   | 5,5               | ■                                       | 4,0               | 2 700         | -20...+75         | 72 500 / 30 000                                | 122 000                                       | 122 000                          | ③     |

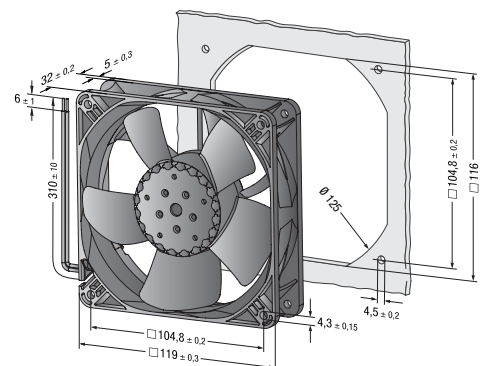
Subject to change  
\* On request

|     | n<br>min <sup>-1</sup> | P <sub>ed</sub><br>W | L <sub>WA</sub><br>Bel(A) | L <sub>10</sub><br>(40 °C) | L <sub>10</sub><br>(T <sub>max</sub> ) | L <sub>10IPC</sub><br>(40 °C) |
|-----|------------------------|----------------------|---------------------------|----------------------------|--|-------------------------------|
| ① ① | 1 450                  | 1,0                  | 4,1                       | 95 000                     | 37 500                                 | 160 000                       |
| ① ② | 1 410                  | 1,0                  | 4,1                       | 95 000                     | 37 500                                 | 160 000                       |
| ① ③ | 1 400                  | 1,0                  | 4,0                       | 92 500                     | 37 500                                 | 155 000                       |
| ① ④ | 1 430                  | 1,0                  | 3,9                       | 92 500                     | 37 500                                 | 155 000                       |
| ① ⑤ | 1 440                  | 1,0                  | 4,4                       | 90 000                     | 35 000                                 | 152 500                       |
| ② ① | 2 150                  | 2,0                  | 5,1                       | 85 000                     | 32 500                                 | 142 000                       |
| ② ② | 2 100                  | 2,1                  | 5,0                       | 85 000                     | 32 500                                 | 142 000                       |
| ② ③ | 2 080                  | 2,2                  | 4,9                       | 82 500                     | 32 500                                 | 140 000                       |
| ② ④ | 2 080                  | 2,2                  | 4,9                       | 82 500                     | 32 500                                 | 140 000                       |
| ② ⑤ | 2 090                  | 2,1                  | 5,2                       | 80 000                     | 32 500                                 | 135 000                       |

|     | n<br>min <sup>-1</sup> | P <sub>ed</sub><br>W | L <sub>WA</sub><br>Bel(A) | L <sub>10</sub><br>(40 °C) | L <sub>10</sub><br>(T <sub>max</sub> ) | L <sub>10IPC</sub><br>(40 °C) |
|-----|------------------------|----------------------|---------------------------|----------------------------|--|-------------------------------|
| ③ ① | 2 700                  | 4,0                  | 5,7                       | 72 500                     | 30 000                                 | 122 000                       |
| ③ ② | 2 625                  | 4,2                  | 5,6                       | 72 500                     | 30 000                                 | 122 000                       |
| ③ ③ | 2 590                  | 4,3                  | 5,5                       | 70 000                     | 27 500                                 | 117 500                       |
| ③ ④ | 2 595                  | 4,3                  | 5,5                       | 70 000                     | 27 500                                 | 117 500                       |
| ③ ⑤ | 2 610                  | 4,2                  | 5,6                       | 65 000                     | 25 000                                 | 110 000                       |



Air performance measured as per: ISO 5801.  
Installation category A, without accidental contact.  
Noise: Total sound power level LWA ISO 103002 measured on a hemisphere with a radius of 2 m.  
Sound pressure level LpA measured at 1 m distance from fan axis.  
The values given are applicable only under the specified measuring conditions and may differ depending on the installation conditions.  
In the event of deviation from the standard configuration, the parameters must be checked after installation!  
For detailed information see <http://www.ebmpapst.com/general-conditions>



# DC axial fans

□ 119 x 32 mm

[Click here for legacy 4300N series datasheet \(parts date coded prior to 2016\)](#)



- **Material:** Housing: GRP<sup>1)</sup> (PBT)  
Impeller: GRP<sup>1)</sup> (PA)
  - **Direction of air flow:** Exhaust over struts
  - **Direction of rotation:** Clockwise, looking towards rotor
  - **Connection:** Via single wires AWG 24, TR 64
  - **Weight:** 250 g
- **Possible special versions:**
    - Speed signal
    - Go / No Go alarm
    - Alarm with speed limit
    - External temperature sensor
    - Internal temperature sensor
    - PWM control input
    - Analog control input
    - Moisture protection
    - Salt spray protection
    - Degree of protection: IP 54 / IP 68

1) Fiberglass-reinforced plastic

Series 4300 N

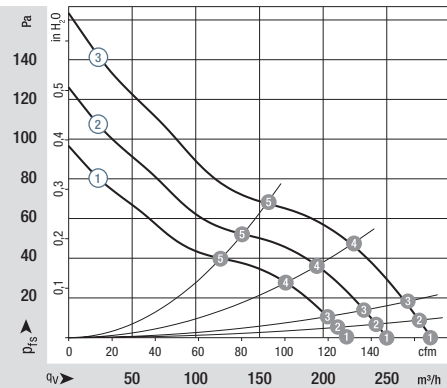
Nominal data

| Type      | Air flow          |     | Nominal voltage | Voltage range | Sound pressure level | Sound power level | Sinter sleeve bearings<br>Ball bearings | Power consumption | Nominal speed | Temperature range | Service life L <sub>10</sub> (40 °C)<br>ebm-papst standard | Service life L <sub>10</sub> (T <sub>max</sub> )<br>ebm-papst standard | Life expectancy<br>L <sub>10IPC</sub> (40 °C) | Curve |
|-----------|-------------------|-----|-----------------|---------------|----------------------|-------------------|---|-------------------|---------------|-------------------|--|--|---|-------|
|           | m <sup>3</sup> /h | cfm |                 |               |                      |                   |   |                   |               |                   |  |  |   |       |
| 4312 NH*  | 220               | 129 | 12              | 6...15        | 46                   | 5,8               | ■                                       | 6,5               | 3 150         | -20...+75         | 62 500 / 25 000  | 105 000  | 105 000                                       | ①     |
| 4312 NHH* | 250               | 147 | 12              | 6...14,4      | 51                   | 6,2               | ■                                       | 8,3               | 3 500         | -20...+70         | 52 500 / 27 500  | 87 500   | 87 500  | ②     |
| 4312 NH3* | 285               | 167 | 12              | 7...13,2      | 55                   | 6,6               | ■                                       | 10                | 4 000         | -20...+75         | 45 000 / 17 500  | 75 000   | 75 000  | ③     |
| 4314 NH*  | 220               | 129 | 24              | 12...28       | 46                   | 5,8               | ■                                       | 6,5               | 3 150         | -20...+75         | 62 500 / 25 000  | 105 000  | 105 000                                       | ①     |
| 4314 NHH* | 250               | 147 | 24              | 12...27       | 51                   | 6,2               | ■                                       | 8,3               | 3 500         | -20...+70         | 52 500 / 27 500  | 87 500   | 87 500  | ②     |
| 4314 NH3* | 285               | 167 | 24              | 14...26,4     | 55                   | 6,6               | ■                                       | 10                | 4 000         | -20...+75         | 45 000 / 17 500  | 75 000   | 75 000  | ③     |
| 4318 NH*  | 220               | 129 | 48              | 36...60       | 46                   | 5,8               | ■                                       | 6,5               | 3 150         | -20...+75         | 62 500 / 25 000  | 105 000  | 105 000                                       | ①     |
| 4318 NH3* | 285               | 167 | 48              | 36...56       | 55                   | 6,6               | ■                                       | 10                | 4 000         | -20...+75         | 45 000 / 17 500  | 75 000   | 75 000  | ③     |

Subject to change  
\* On request

|     | n<br>min <sup>-1</sup> | P <sub>ed</sub><br>W | L <sub>WA</sub><br>Bel(A) | L <sub>10</sub><br>(40 °C) | L <sub>10</sub><br>(T <sub>max</sub> ) | L <sub>10IPC</sub><br>(40 °C) |
|-----|------------------------|----------------------|---------------------------|----------------------------|--|-------------------------------|
| ① ① | 3 150                  | 6,5                  | 6,1                       | 62 500                     | 25 000                                 | 105 000                       |
| ① ② | 3 030                  | 6,7                  | 5,9                       | 60 000                     | 25 000                                 | 102 500                       |
| ① ③ | 2 970                  | 6,8                  | 5,8                       | 57 500                     | 22 500                                 | 97 500                        |
| ① ④ | 2 965                  | 6,8                  | 5,8                       | 57 500                     | 22 500                                 | 97 500                        |
| ① ⑤ | 2 965                  | 6,8                  | 6,1                       | 57 500                     | 22 500                                 | 97 500                        |
| ② ① | 3 500                  | 8,3                  | 6,5                       | 52 500                     | 27 500                                 | 87 500                        |
| ② ② | 3 405                  | 8,7                  | 6,3                       | 50 000                     | 25 000                                 | 85 000                        |
| ② ③ | 3 350                  | 8,9                  | 6,2                       | 47 500                     | 25 000                                 | 80 000                        |
| ② ④ | 3 345                  | 8,9                  | 6,2                       | 45 000                     | 22 500                                 | 75 000                        |
| ② ⑤ | 3 365                  | 8,9                  | 6,3                       | 50 000                     | 25 000                                 | 85 000                        |

|     | n<br>min <sup>-1</sup> | P <sub>ed</sub><br>W | L <sub>WA</sub><br>Bel(A) | L <sub>10</sub><br>(40 °C) | L <sub>10</sub><br>(T <sub>max</sub> ) | L <sub>10IPC</sub><br>(40 °C) |
|-----|------------------------|----------------------|---------------------------|----------------------------|--|-------------------------------|
| ③ ① | 4 000                  | 10                   | 6,9                       | 45 000                     | 17 500                                 | 75 000                        |
| ③ ② | 3 930                  | 11                   | 6,7                       | 42 500                     | 17 500                                 | 72 500                        |
| ③ ③ | 3 880                  | 11                   | 6,7                       | 37 500                     | 15 000                                 | 62 500                        |
| ③ ④ | 3 875                  | 11                   | 6,6                       | 37 500                     | 15 000                                 | 62 500                        |
| ③ ⑤ | 3 895                  | 11                   | 6,7                       | 45 000                     | 17 500                                 | 75 000                        |



Air performance measured as per: ISO 5801.  
Installation category A, without accidental contact.  
Noise: Total sound power level L<sub>WA</sub> ISO 103002 measured on a hemisphere with a radius of 2 m.  
Sound pressure level L<sub>pA</sub> measured at 1 m distance from fan axis.  
The values given are applicable only under the specified measuring conditions and may differ depending on the installation conditions.  
In the event of deviation from the standard configuration, the parameters must be checked after installation!  
For detailed information see <http://www.ebmpapst.com/general-conditions>

