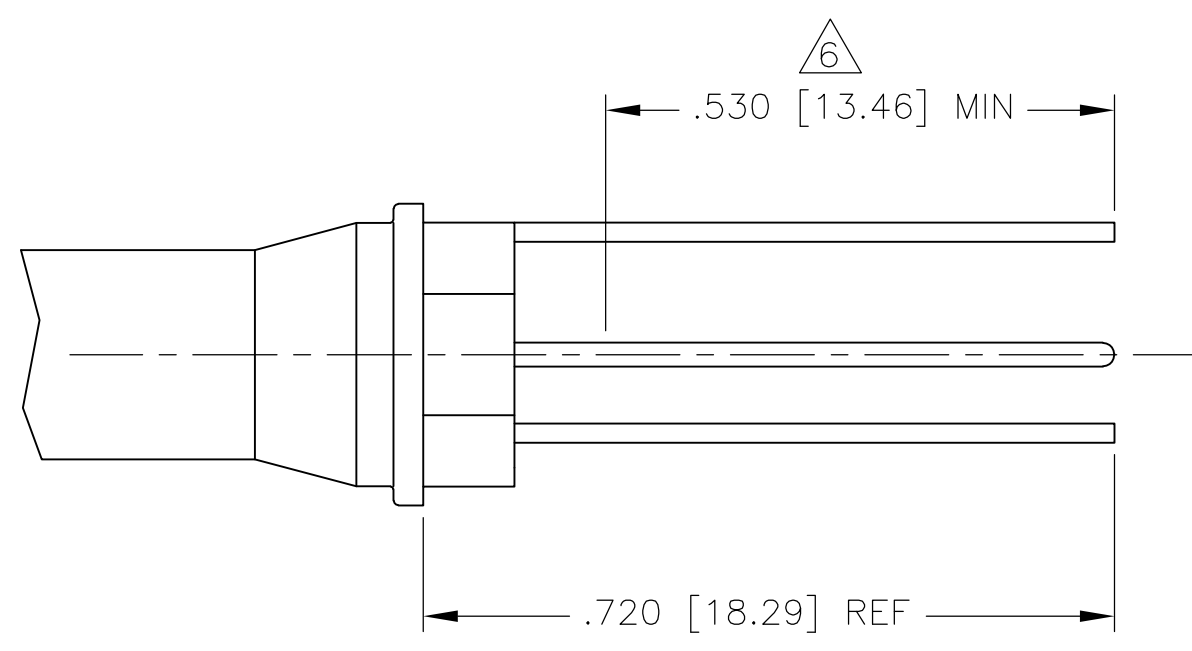
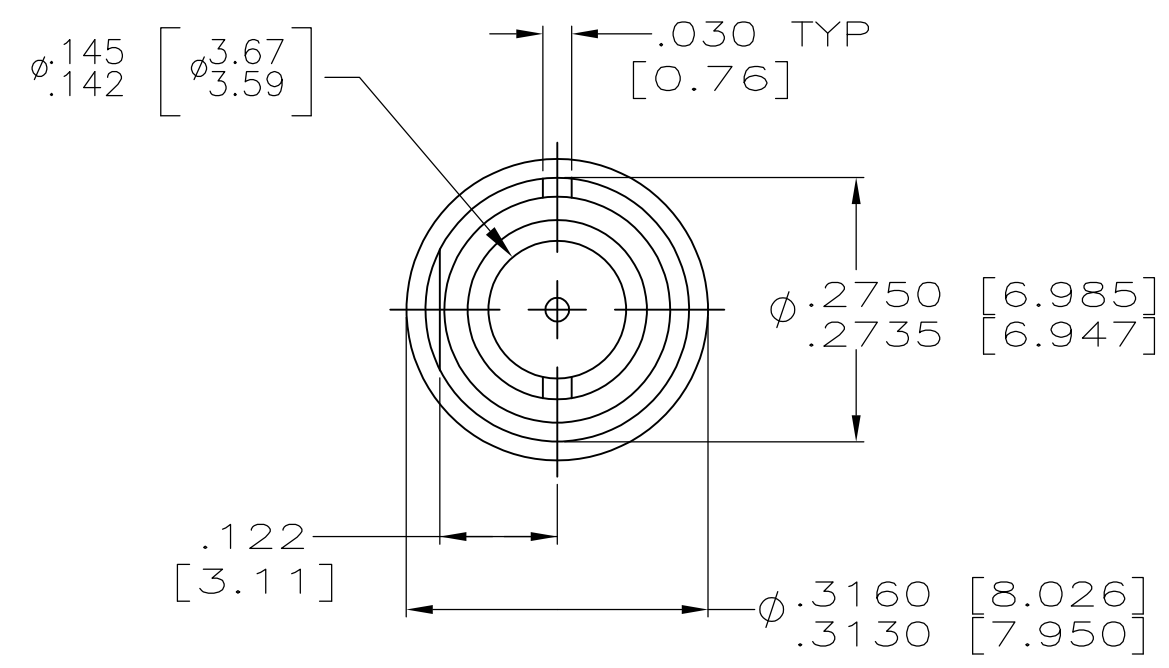
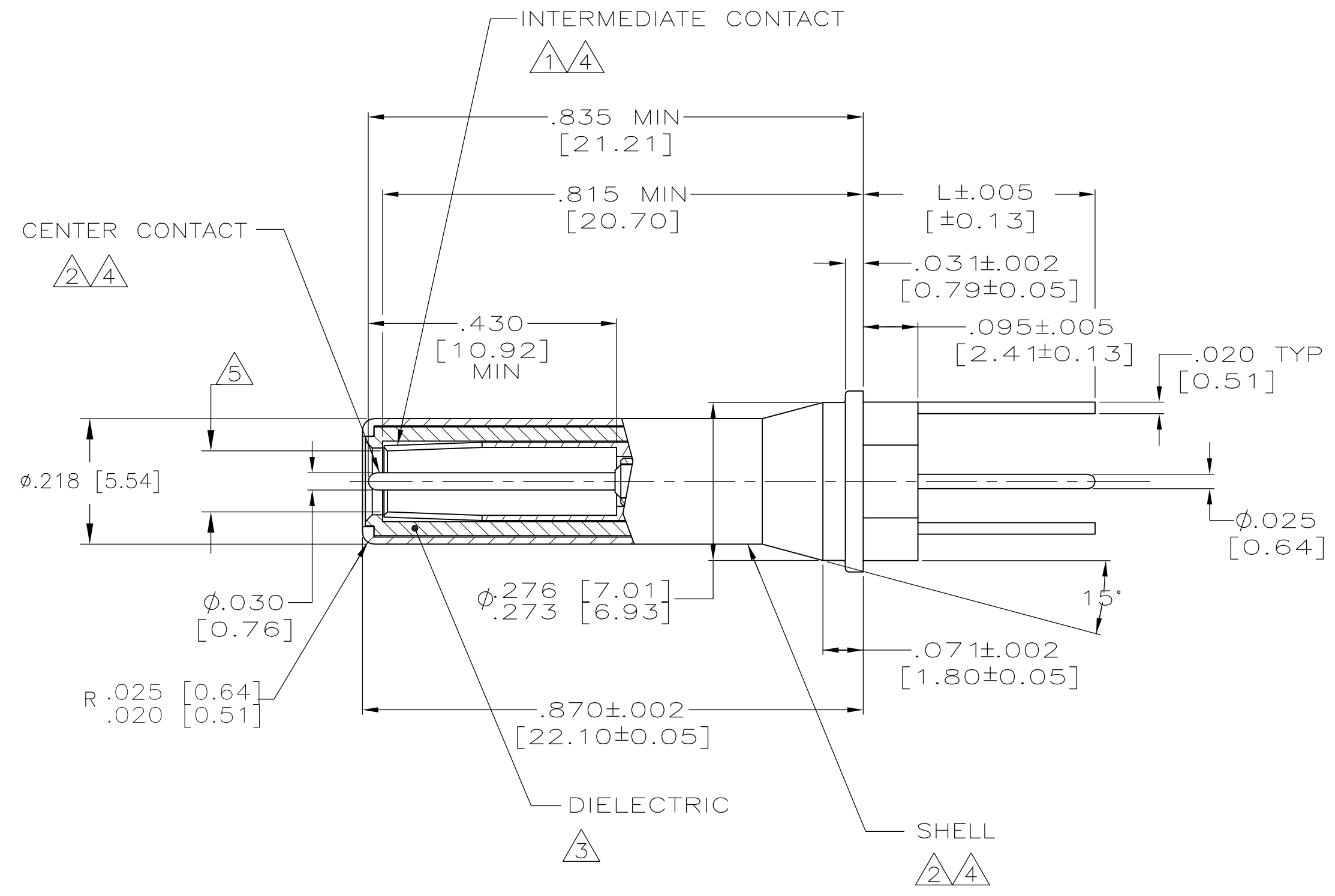


THIS DRAWING IS UNPUBLISHED. RELEASED FOR PUBLICATION  
 © COPYRIGHT - By - ALL RIGHTS RESERVED.

LOC		DIST		REVISIONS			
P	LTR	DESCRIPTION	DATE	DWN	APVD		
-	-	REV PER ECO 15-011359	8-5-15	CT	RG		



VIEW FOR 448541-4 ONLY

- 1 BERYLLIUM COPPER PER ASTM-B-196
- 2 BRASS PER ASTM-B-16.
- 3 PTFE PER ASTM-D-1710.
- 4 GOLD PLATE PER MIL-G-45204, TYPE 1, GRADE C, CLASS 1 OVER NICKEL PLATE PER QQ-N-290, CLASS 2, .000050 [0.00127] THK.
- 5 SOCKET MATES WITH .113±.001 [2.87±0.03] PIN  
MAX ENGAGEMENT FORCE: 20 OUNCES  
MIN SEPARATION FORCE: 3 OUNCES
- 6 SOLDER DIPPED PER TE SPEC. 112-23-4.

OBSOLETE	.720 [18.29]	448541-4
	--	448541-3
	.525 [13.33]	448541-2
	.402 [10.21]	448541-1
	DIM L	PART NUMBER

THIS DRAWING IS A CONTROLLED DOCUMENT.		DWN C.C.THOMAS 10-13-92	<b>STE</b> TE Connectivity	
DIMENSIONS: INCHES [mm]		CHK C.SHELLY 10-15-92		
TOLERANCES UNLESS OTHERWISE SPECIFIED:		APVD C.SHELLY 10-15-92	NAME PIN, TRIAX PCB, SIZE 8, ARINC-TRIAx	
0 PLC ± -		PRODUCT SPEC	SIZE CAGE CODE DRAWING NO RESTRICTED TO	
1 PLC ± -		APPLICATION SPEC	A2 00779 C=448541	
2 PLC ± -		WEIGHT -	SCALE 5:1 SHEET 1 of 1 REV B	
3 PLC ± .001 [0.03]		CUSTOMER DRAWING		
4 PLC ± -				
ANGLES ± 2°				
FINISH				
MATERIAL				