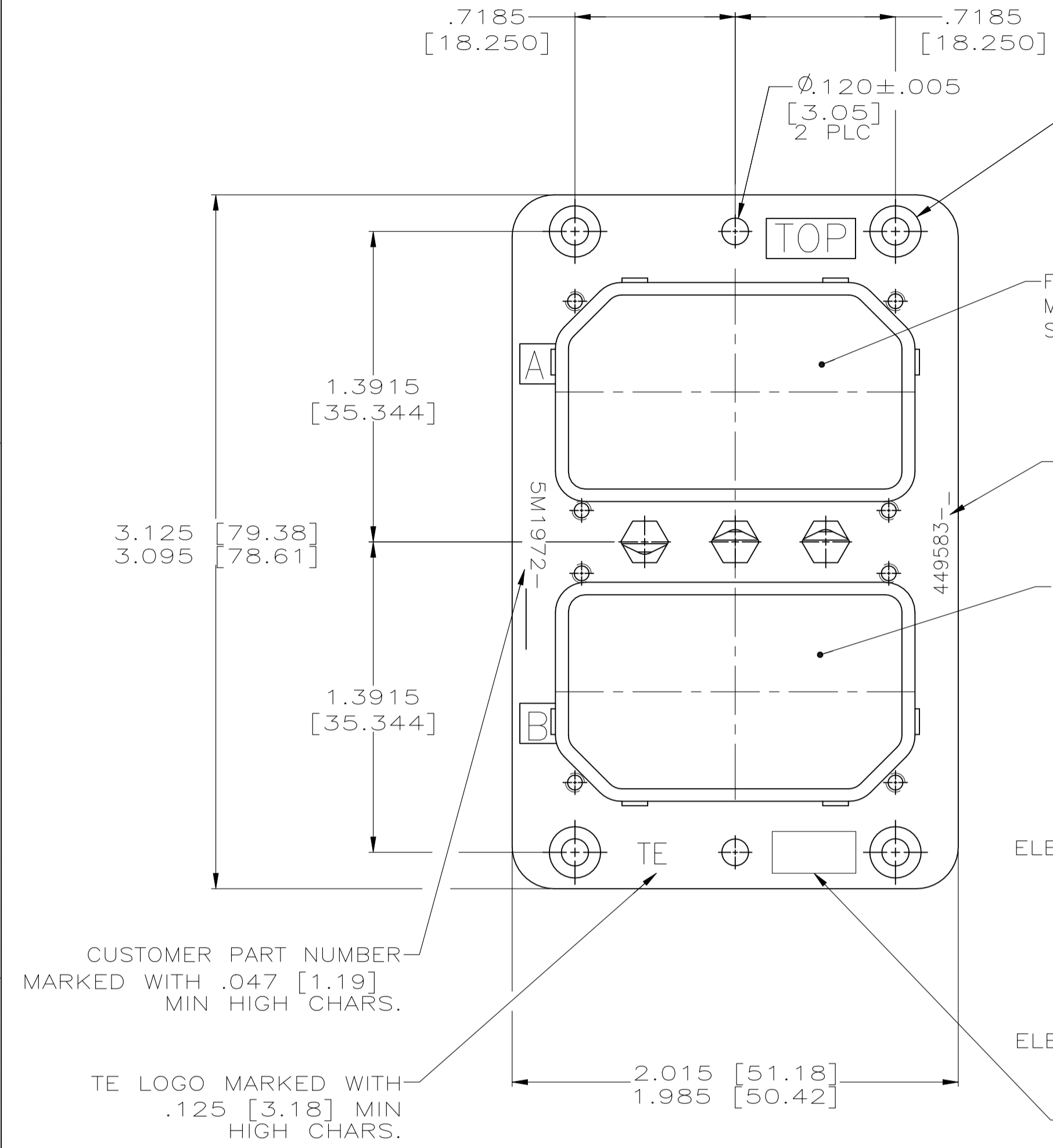


REVISIONS					
P	LTR	DESCRIPTION	DATE	DMN	APVD
F		REVISED PER ECO-21-003630	5-18-21	CT	RL



FOR INSERT ARRANGEMENT
MODULE A
SEE TABLE

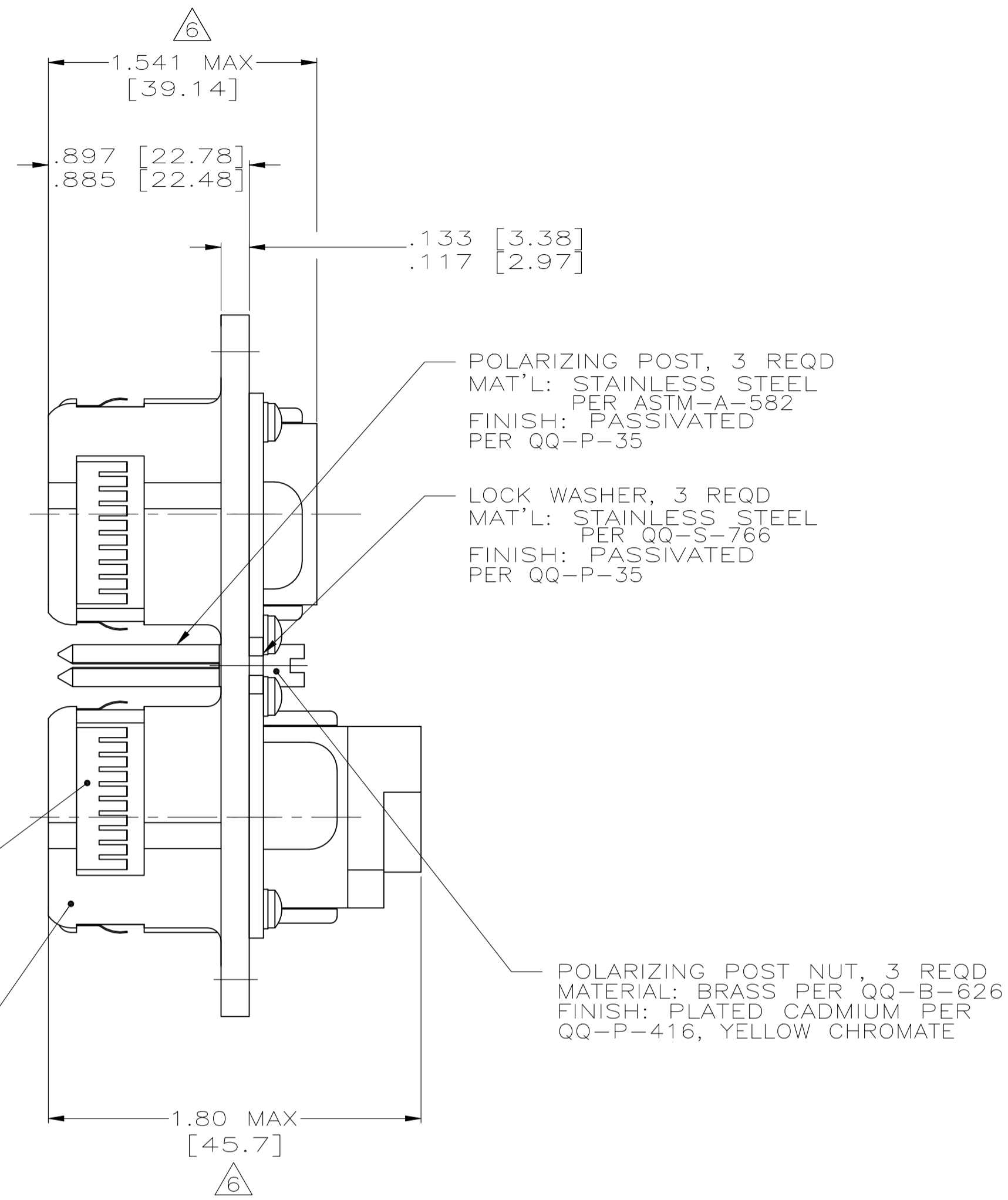
TE PART NO. MARKED
WITH .047 [1.19]
MIN HIGH CHARS.

FOR INSERT ARRANGEMENT
MODULE B
SEE TABLE

EMI SPRINGS
MAT'L: BERYLLIUM COPPER
PER QQ-C-530
FINISH: CADMIUM PER
QQ-P-416/OLIVE DRAB OVER
ELECTROLESS NICKEL UNDERPLATE
PER QQ-N-290

PLUG SHELL
MAT'L: ALUMINUM ALLOY PER
QQ-A-591 OR 6061-T6/6511
ASTM B209 2024-T4/T351
FINISH: PLATED CADMIUM PER
QQ-P-416/OLIVE DRAB OVER
ELECTROLESS NICKEL UNDERPLATE
PER QQ-P-416

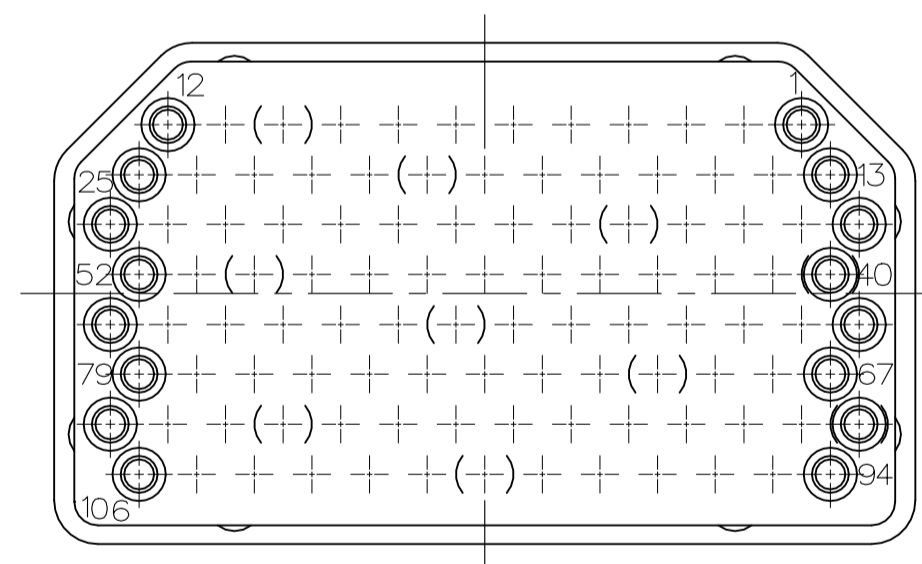
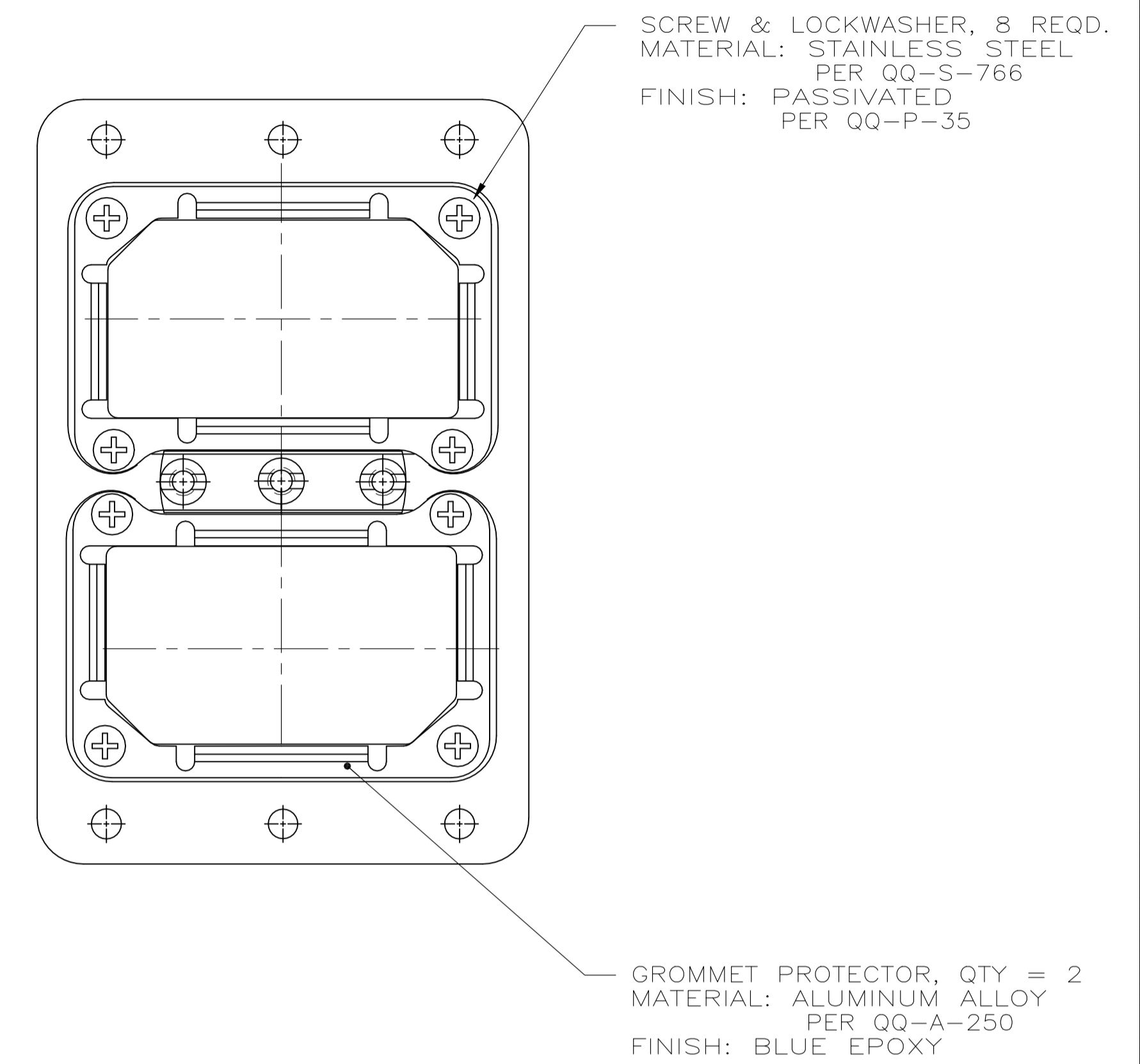
DATE CODE MARKED WITH
.047 [1.19] MIN
HIGH CHARS.



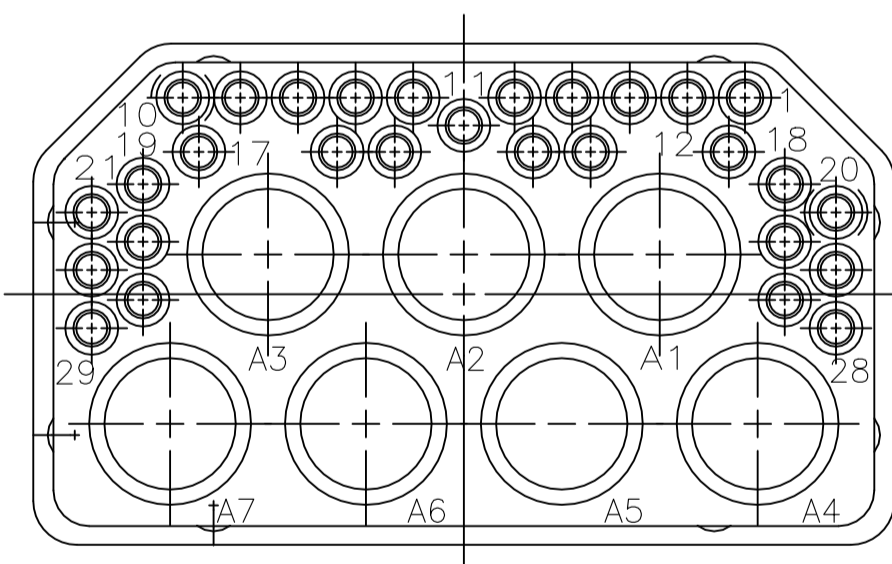
POLARIZING POST, 3 REQD
MAT'L: STAINLESS STEEL
PER ASTM-A-582
FINISH: PASSIVATED
PER QQ-P-35

LOCK WASHER, 3 REQD
MAT'L: STAINLESS STEEL
PER QQ-S-766
FINISH: PASSIVATED
PER QQ-P-35

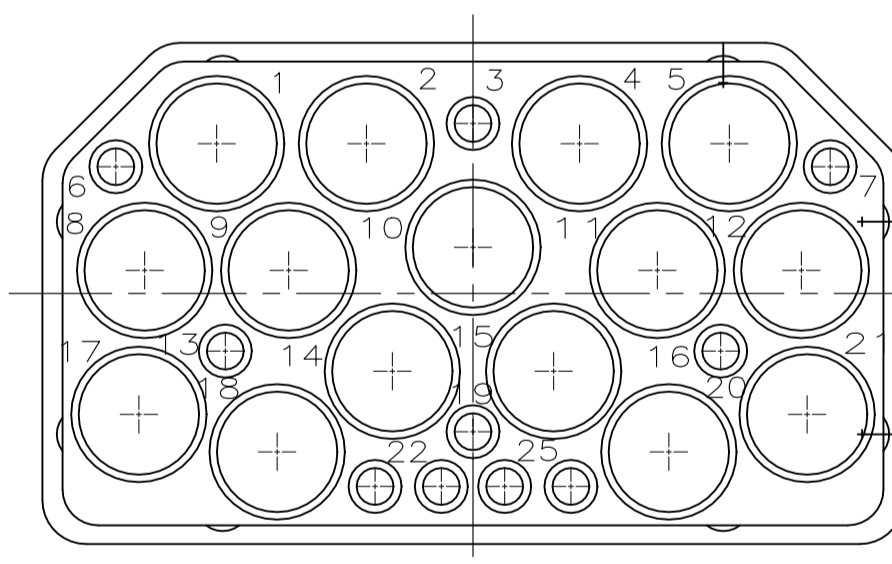
POLARIZING POST NUT, 3 REQD
MATERIAL: BRASS PER QQ-B-626
FINISH: PLATED CADMIUM PER
QQ-P-416, YELLOW CHROMATE



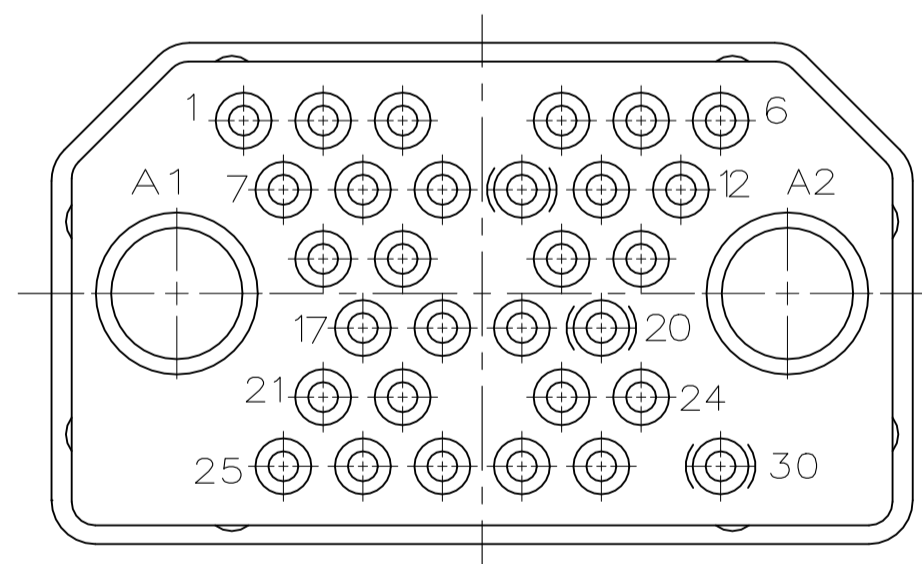
106
(-01P)



36C7
(-02P)



25C15
(-04P)



32C2
(-03S)

- KEYS INSTALLED IN POSITIONS AS SHOWN IN TABLE.
 - CONTACTS ARE INCLUDED IN A CONTAINER WITHIN THE CONNECTOR PACKAGE FOR SHIPMENT.
 - ALL DIMENSIONS CONFORM TO MIL-C-81659 WITH EXCEPTION TO EMI SPRING FINGERS.
 - COAX/TRIAX CONTACTS TO BE PURCHASED SEPARATELY.
 - CONFORMS TO REQUIREMENTS OF MCDONNELL DOUGLAS 5M1972.
- CONNECTOR VIEW AND INSERT LAYOUT IS SHOWN FOR 449583-1.
- MATING FACE SHOWN FOR REFERENCE ONLY.

PART NUMBER	CUSTOMER PART NUMBER	POLARIZING POSITION	MOD A	MOD B
449583-1	5M1972-01P02P	04	106P	36C7P
OBSOLETE	449583-2	5M1972-01P01P	04	106P
OBSOLETE	449583-3	5M1972-01P03S	02	106P
	449583-4	5M1972-04P01P	45	25C15
OBSOLETE	449583-5	5M1972-02P01P	01	36C7P
	449583-6	5M1972-02P01PA	01	36C7P

THIS DRAWING IS A CONTROLLED DOCUMENT.		DIN T. ALEXANDER 4-17-96	STE TE Connectivity
DIMENSIONS: INCHES		CHK K. GUARAGNO 4-22-96	
TOLERANCES UNLESS OTHERWISE SPECIFIED:		APVD K. GUARAGNO 4-22-96	NAME
0 PLC ± -		PRODUCT SPEC	ARINC 404 KIT, MME2P106P36C7P-0004 (204) WITH EMI FINGERS
1 PLC ± -		APPLICATION SPEC	SIZE CAGE CODE DRAWING NO
2 PLC ± -		WEIGHT 0.000000	A1 00779 C=449583
3 PLC ± .010 [0.25]		CUSTOMER DRAWING	SCALE 2:1 SHEET 1 of 1 REV F
4 PLC ± .0050 [0.130]			
ANGLES ±			