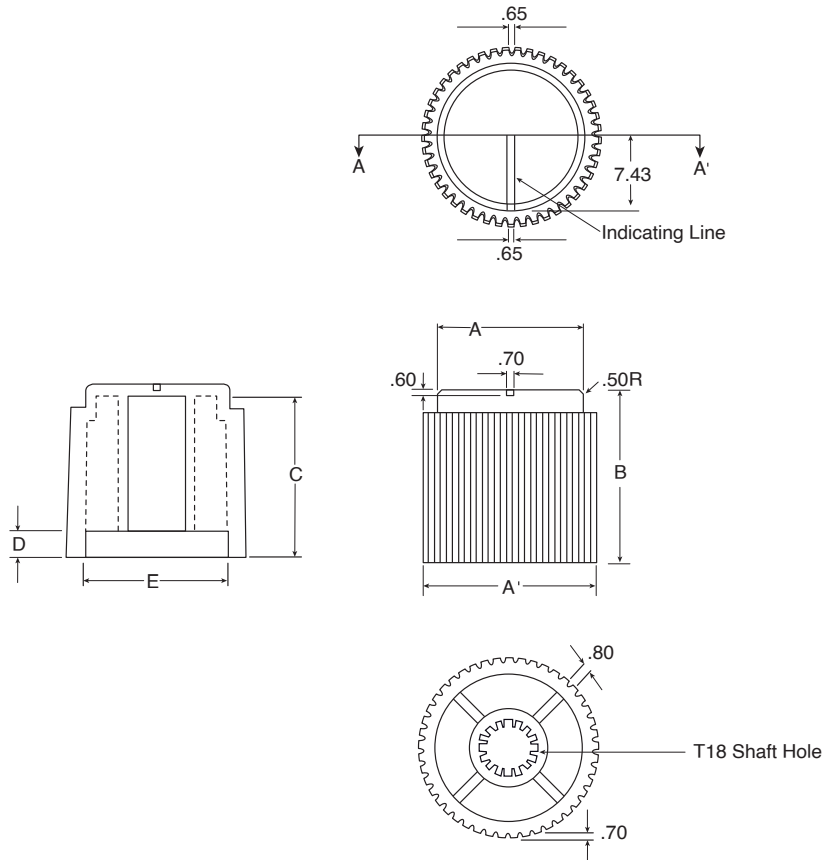


Dimensions: mm

Date Last Revised: 11/25/19



SPECIFICATIONS

Material:	ABS
Tolerance:	±.20mm
Shaft Hole:	T18

DIMENSIONS MM

Mouser Stock No.	A	A'	B	C	D	E	Body	Line
450-AE181	15	18.40	17.40	16.20	2.40	14.70	White	Black
450-AE185	15	18.40	17.40	16.20	2.40	14.70	Grey	Black
450-AE186	15	18.40	17.40	16.20	2.40	14.70	Black	White
450-AE141	10.40	13.80	16.60	14.60	---	9.50	Black	White