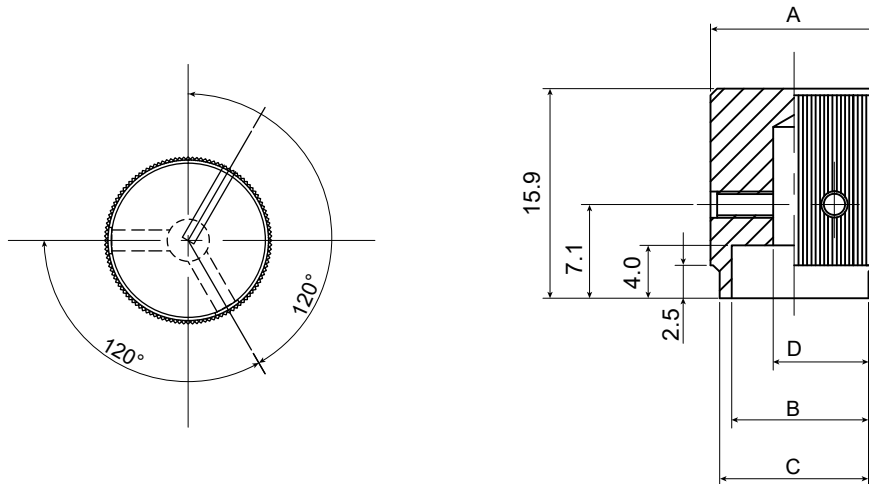


**DIMENSIONS: mm**



MOUSER P/N	CHIA SHIN P/N	A	B	C	D(Shaft)	Body Color	Line Color
450-KLN510	KLN500A1/8	12.7	9.5	11.3	3.2	Silver	Black
450-KLN520	KLN500B1/8	12.7	9.5	11.3	3.2	Black	White
450-KLN530	KLN500A1/4	12.7	9.5	11.3	6.4	Silver	Black
450-KLN710	KLN700A1/8	18.8	15.0	17.4	3.2	Silver	Black
450-KLN720	KLN700B1/8	18.8	15.0	17.4	3.2	Black	White
450-KLN730	KLN700A1/4	18.8	15.0	17.4	6.4	Silver	Black
450-KLN910	KLN900A1/4	23.8	18.0	22.4	6.4	Silver	Black
450-KLN920	KLN900B1/4	23.8	18.0	22.4	6.4	Black	White
450-KLN125A	KLN1250A1/4	31.8	25.0	30.4	6.4	Silver	Black
450-KLN125B	KLN1250B1/4	31.8	25.0	30.4	6.4	Black	White

**SPECIFICATIONS:**

- Material: Aluminum
- Tolerance:  $\pm 0.20\text{mm}$