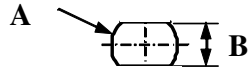
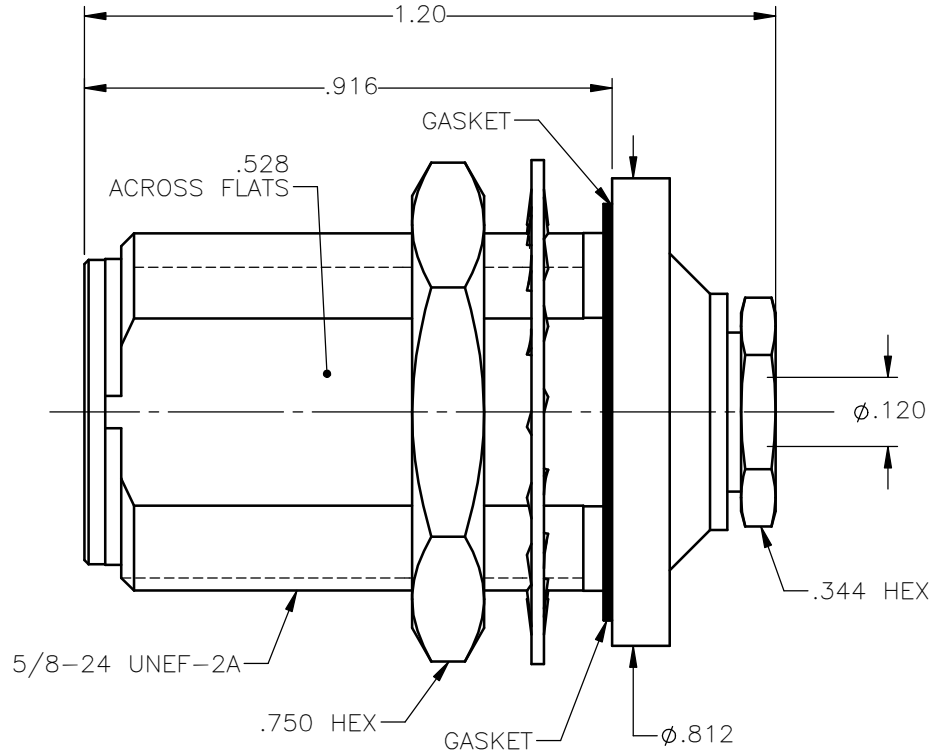


**PANEL CUT OUT**



inches		
	Maxi	mini
<b>A</b>	<b>.643</b>	<b>.637</b>
<b>B</b>	<b>.541</b>	<b>.535</b>

REVISIONS			
REV.	DESCRIPTION	DATE	APPROVED
A	INITIAL RELEASE	04/23/18	D.N.





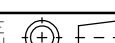
NOTES:

MATERIALS:

1. INSULATORS = VIRGIN WHITE TEFLON PER ASTM D1710, GRADE 1, TYPE I, CLASS "B".
2. CONTACT = BERYLLIUM COPPER PER ASTM B196, ALLOY C17300, TEMPER TD04.
3. GASKET = SILICONE RUBBER PER ZZ-R-765, CLASS 2B, GRADE 65-75.
4. LOCKWASHER = PHOSPHOR BRONZE PER ASTM B139, COPPER ALLOY C53400, TEMPER H04.
5. ALL OTHER METAL PARTS = BRASS PER ASTM B16, ALLOY C36000, TEMPER H02.

FINISHES:

1. CONTACT = GOLD PLATE PER ASTM B488-11, TYPE II, 50μin MIN, GRADE C, OVER 100 TO 200μin STRESS FREE SULFAMATE NICKEL PER AMS-QQ-N-290.
2. ALL OTHER METAL PARTS = GOLD PLATE PER ASTM B488-11, TYPE II, 30μin MIN, GRADE C OVER 100 TO 200μin COPPER STRIKE PER AMS 2418.

UNLESS OTHERWISE SPECIFIED DIMENSIONS ARE IN INCHES TOLERANCES ON	DWN: DATE	 <b>Property of Radiall</b> This document cannot be reproduced or communicated to a third party without prior written permission of RADIALL.	
	D.N. 04/23/18		
DECIMAL	ANGLE	CHKD: DATE	TYPE "N" JACK BULKHAD REAR MOUNT CLAMP TYPE FOR RG-316DS & SIMILAR CABLES
		C.E. 04/23/18	
		APVD: DATE	SIZE A FSCM NO. 19505 DWG NO. 4501-1051-019 REV A
		J.M. 04/23/18	
REFERENCE:	MATERIALS & FINISHES:	SCALE 3:1	THIRD ANGLE PROJECTION 
ORIGINATED: D.N. DATE: 04/23/18	SEE NOTES		SHEET 1 OF 1

4501-1051-019