

## Description

Single pole high performance thermal-magnetic circuit breaker, with tease-free, trip-free, snap action mechanism and push/pull on/off actuation (M-type TM CBE to EN 60934). An indicator band on the push button clearly shows the tripped/off position. Threadneck panel mounted in tracked vehicle and aircraft/general purpose versions, with optional fast acting magnetic characteristics and auxiliary contacts.

## Typical applications

Extra low voltage wiring systems on all types of vehicle for land, sea and air; defence equipment; battery powered machines.

## Ordering information

### Type No.

452 standard delay curve

452-2 fast trip curve

### Terminal design

K14 screw terminals M6

K34 screw terminals M6, reinforced

### Version

FN2 vehicle application

LN2 aircraft/general application

### Auxiliary contacts

(blank) without auxiliary contacts

S1 with auxiliary contact  
(connector EN 3155-016M2018 (NC)  
as S1, but with polarized auxiliary contact (NC)

S5

### Current ratings

50...100 A

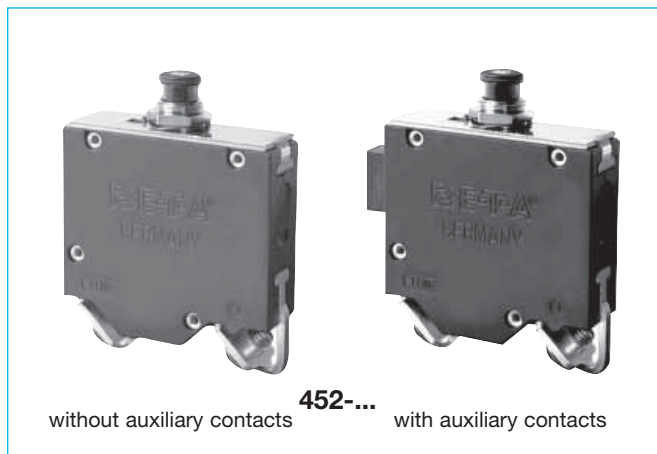
452 - K14 - LN2 - S1 - 80 A ordering example

## Standard current ratings and typical volt drop values

Current rating (A)	Volt drop (mV)	Current rating (A)	Volt drop (mV)
50	90	80	92
60	85	90	100
70	85	100	100
75	90		

## Approvals (without auxiliary contacts)

Authority	Voltage ratings	Current ratings
VG 95345, part 17	DC 28 V	60...100 A
QPL, Canada	DC 28 V	60...100 A
QPL, Sweden	DC 28 V	60...100 A (452-K34-FN)
UL	DC 28 V; DC 72 V	50...125 A



without auxiliary contacts

452-...

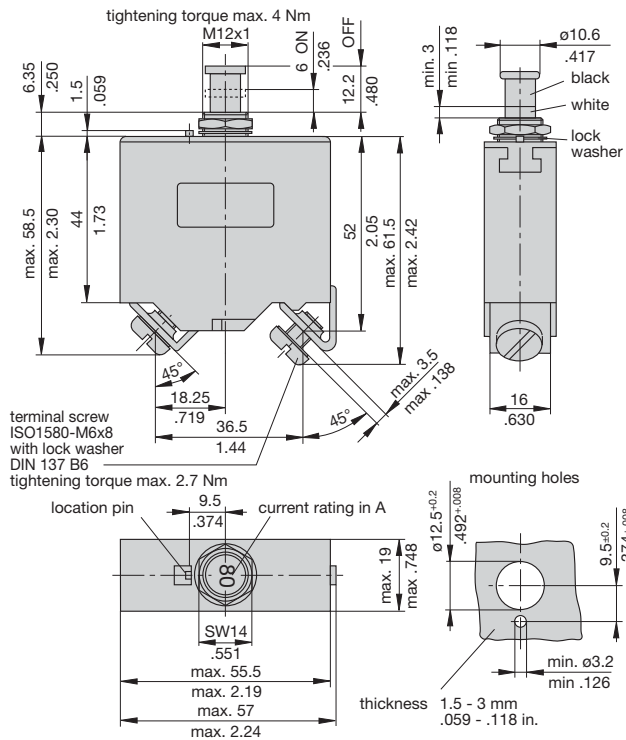
with auxiliary contacts

## Technical data

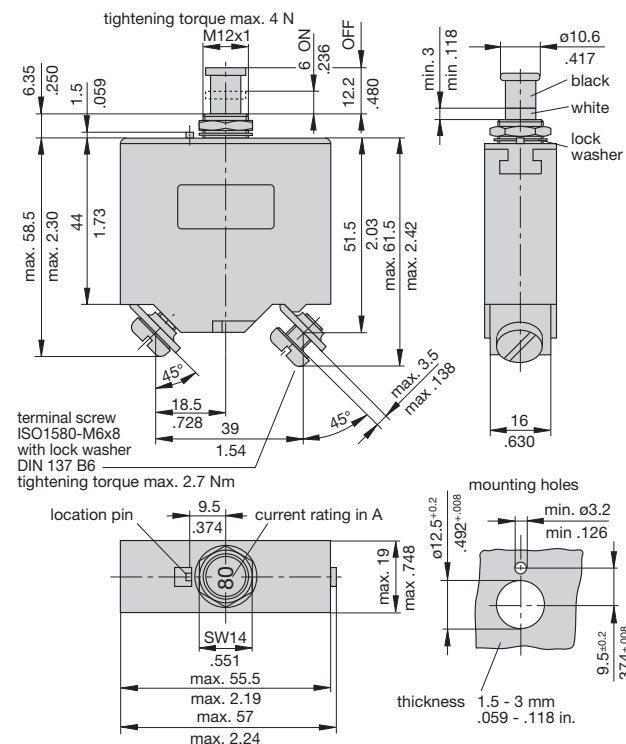
Voltage rating	DC 28 V	
Current rating range	50...100 A	
Auxiliary circuit	0.5 A, DC 28 V	
Typical life	2,500 operations at I <sub>N</sub>	
Ambient temperature	-55...+75 °C (-67...+167 °F)	
Insulation co-ordination (IEC 60664 and 60664A)	rated impulse withstand voltage 1.5 kV	pollution degree 3
Dielectric strength (IEC 60664 and 60664A) operating area	test voltage AC 1,500 V	
Insulation resistance	> 100 MΩ (DC 500 V)	
Interrupting capacity I <sub>cn</sub>	6,000 A	
Degree of protection (IEC 60529/DIN 40050)	operating area IP40 terminal area IP00	
Vibration	10 g (55-2000 Hz), ± 0.76 mm (10-55 Hz) to VG 95210, sheet 19, IEC 60068-2-6, test Fc	
Shock	50 g (11 ms) to VG 95210, sheet 28, IEC 60068-2-27, test Ea	
Corrosion	96 hours at 5 % salt mist to VG 95210, sheet 2, IEC 60068-2-11, test Ka	
Humidity	240 hours at 95 % RH to VG 95210, sheet 7, IEC 60068-2-3, test C	
Explosion	to VG 95210, sheet 10, MIL-STD-202, meth. 109	
Mass	approx. 122 g without auxiliary contact approx. 126 g with auxiliary contact	

**Dimensions 452-K...-....**

**452-K34-FN2 (VG 95345 T17)**

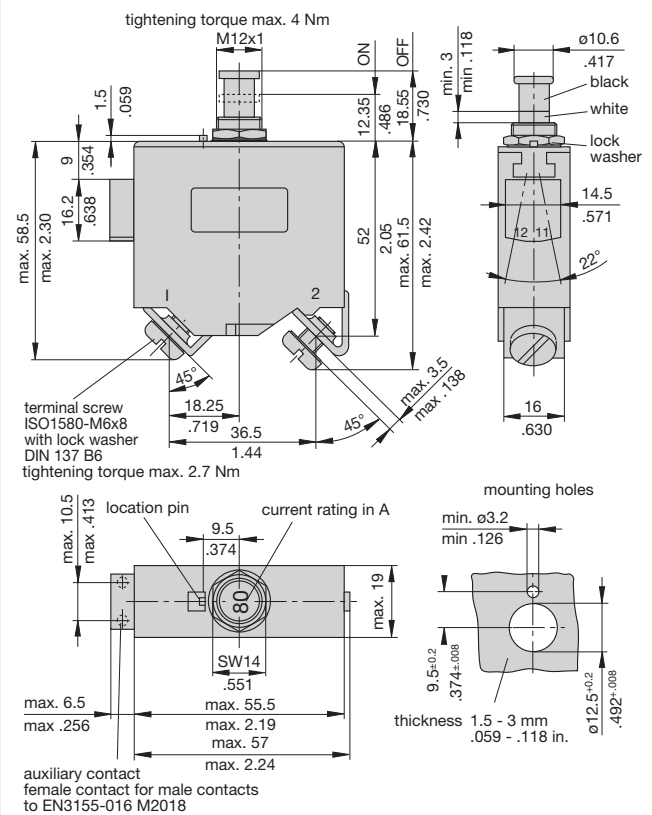


**452-K14-LN2 (VG 95345 T17)**

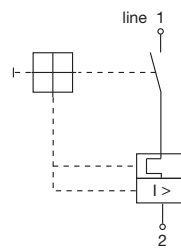


**Dimensions 452-K...-S.**

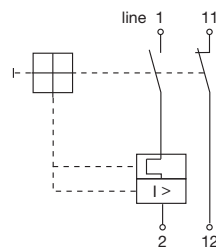
**452-K34-LN2-S1 (VG 95345 T17)  
452-K34-LN2-S5**



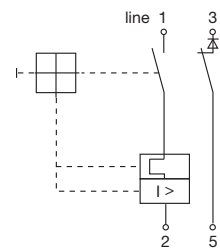
**Internal connection diagram**



**with auxiliary contact -S1**



**with polarized auxiliary contact -S5**



This is a metric design and millimeter dimensions take precedence (mm/inch)