

# Datasheet

## Pinnacle<sup>™</sup> 100 Cellular Modem

*Version 1.0*

---



## CONTENTS

|        |                                             |    |
|--------|---------------------------------------------|----|
| 1      | Overview and Key Features.....              | 3  |
| 2      | Specification.....                          | 6  |
| 2.1    | Specification Summary.....                  | 6  |
| 2.2    | Block Diagram.....                          | 7  |
| 2.3    | Pin Definitions.....                        | 8  |
| 2.4    | General Parameters.....                     | 11 |
| 3      | LTE Hardware Specifications.....            | 12 |
| 3.1    | LTE RF Parameters.....                      | 12 |
| 3.2    | LTE Current.....                            | 13 |
| 3.3    | USB Interface Parameters.....               | 13 |
| 3.4    | GPS Parameters.....                         | 13 |
| 3.5    | BAT_RTC.....                                | 14 |
| 4      | BLE Hardware Specifications.....            | 15 |
| 4.1    | Programmability.....                        | 17 |
| 4.1.1  | Bootloader.....                             | 17 |
| 4.1.2  | Zephyr Hostless Firmware.....               | 17 |
| 4.1.3  | Hosted Firmware.....                        | 17 |
| 4.2    | Electrical Specifications.....              | 17 |
| 4.2.1  | Recommended Operating Parameters.....       | 17 |
| 4.3    | BLE Power Consumption.....                  | 19 |
| 4.4    | Clocks and Timers.....                      | 21 |
| 4.5    | Radio Frequency (RF).....                   | 21 |
| 4.6    | NFC.....                                    | 22 |
| 4.7    | UART Interface.....                         | 23 |
| 4.8    | USB interface.....                          | 24 |
| 4.9    | SPI Bus.....                                | 25 |
| 4.10   | I2C Interface.....                          | 25 |
| 4.11   | General Purpose I/O, ADC, & PWM.....        | 25 |
| 4.11.1 | GPIO.....                                   | 25 |
| 4.11.2 | ADC.....                                    | 26 |
| 4.11.3 | PWM Signal Output on Up to 16 SIO Pins..... | 26 |
| 4.12   | nRESET pin.....                             | 26 |
| 4.13   | Two-Wire Interface SWD.....                 | 27 |
| 4.14   | Pinnacle™ 100 Wakeup.....                   | 27 |
| 4.15   | Low Power Modes.....                        | 27 |
| 4.16   | Security/Privacy.....                       | 28 |
| 4.16.1 | Random Number Generator.....                | 28 |
| 4.16.2 | AES Encryption/Decryption.....              | 28 |
| 4.16.3 | ARM Cryptocell.....                         | 28 |
| 4.16.4 | Readback Protection.....                    | 28 |
| 4.16.5 | Elliptic Curve Cryptography.....            | 28 |
| 4.17   | External 32.768 kHz crystal.....            | 28 |
| 5      | Hardware Integration Suggestions.....       | 29 |
| 5.1    | Circuit.....                                | 29 |
| 5.2    | PCB Layout on Host PCB - General.....       | 30 |
| 5.3    | BLE Antenna Integration.....                | 31 |

|      |                                              |    |
|------|----------------------------------------------|----|
| 5.4  | LTE Antenna Integration.....                 | 31 |
| 6    | Mechanical Details.....                      | 32 |
| 6.1  | Pinnacle™ 100 Mechanical Details .....       | 32 |
| 6.2  | PCI Express M2 Connector and Standoffs ..... | 33 |
| 6.3  | Mounting Screw.....                          | 33 |
| 6.4  | Shipping.....                                | 34 |
| 6.5  | Modem Labeling .....                         | 36 |
| 7    | FCC and IC Regulatory Statements.....        | 37 |
| 8    | CE Regulatory.....                           | 41 |
| 9    | Ordering Information .....                   | 44 |
| 10   | Bluetooth SIG Qualification .....            | 44 |
| 11   | PTCRB and GFC (Pending).....                 | 46 |
| 12   | Carrier Certification .....                  | 46 |
| 12.1 | Verizon (Pending).....                       | 46 |
| 12.2 | AT&T (Pending).....                          | 46 |
| 12.3 | Vodafone (Pending).....                      | 46 |
| 13   | Additional Assistance.....                   | 47 |

## 1 OVERVIEW AND KEY FEATURES

The Pinnacle™ 100 modem seamlessly incorporates a powerful Cortex M4F controller, full Bluetooth v5 and LTE CAT M1/NB-IoT capabilities – all with full regulatory certifications and LTE carrier approvals.

Develop your application directly on the M4F controller using Zephyr RTOS to cut BOM costs and power consumption. Take advantage of the Zephyr community, Laird's sample code (cellular, Bluetooth) and hardware interfaces, OR use our hosted mode AT commands set that augments with commands that provide BLE, NFC and GPIO functionality.

This innovative modem family also offers complete antenna flexibility – on-device, off-board, as well as external antennas – to give you design flexibility, reduce complexity, and simplify your overall product solution.

Extremely power conscious, the Pinnacle™ 100 is ideal for battery-powered devices operating at the edge of your IoT networks, seamlessly bridging the cellular WAN to the BLE network. It's never been easier to bridge wireless Bluetooth 5 sensor data to cloud services like AWS IoT over a low-power LTE connection.



### 1.1 Features and Benefits

- LTE CAT M1 / NB-IoT radio via Sierra HL7800
  - **Altair ALT1250** – LTE bands 1, 2, 3, 4, 5, 8\*, 12, 13, 20, 28
  - **Nordic nRF52840** – BT v5, Coded PHY (Long range), 1 MPHY & 2 MPHY
- Onboard Cortex-M4F Microcontroller – 32-bit @ 64 MHz, 256 KB of RAM, 1 MB internal flash, 8 MB QSPI\*\*
- **Industrial Temp Range** – Operating range -40° to +85° C
- **Globally and Carrier Certified** – FCC, IC, CE, BT SIG plus PTCRB, GCF and **End Device** certified – AT&T, Verizon, Vodafone (all pending)
- **Flexible Programming** – Design your way: Hostless mode via Zephyr RTOS or Hosted mode AT Command Set
- **Secure Firmware Upgrade** – Comes pre-programmed with Laird's secure bootloader
- **Antenna Options** – Unique integrated antenna variant plus external variant with U.FL connectors
- Programmable BLE Tx power +8 dBm to -20 dBm, -40 dBm
- BLE Rx sensitivity: -91 dBm (1 Mbps), -100 dBm (125 kbps)

\* – Band 8 supported by Laird's Dipole Blade DBA6927C1-FSMAM antenna

\*\* – When utilizing Bootloader, full 8 MB not available

### 1.2 Application Areas

- Cellular IoT
- Connected Medical
- Environmental Monitoring
- Predictive Maintenance
- Retail/Commercial

## 2 SPECIFICATION

### 2.1 Specification Summary

**Table 1: Key specifications**

| Categories/Feature            | Implementation                                                                                                                                                                                                                                                                                                                                                                                                                                                                                                                                     |
|-------------------------------|----------------------------------------------------------------------------------------------------------------------------------------------------------------------------------------------------------------------------------------------------------------------------------------------------------------------------------------------------------------------------------------------------------------------------------------------------------------------------------------------------------------------------------------------------|
| <b>Wireless Specification</b> |                                                                                                                                                                                                                                                                                                                                                                                                                                                                                                                                                    |
| Cellular LTE                  | <ul style="list-style-type: none"> <li>▪ Multi-Band cellular operation for world-wide operation</li> <li>▪ Category M1 and category NB1 support</li> <li>▪ Power class 3</li> <li>▪ Sensitivity: Cat-M1: -99 to -102 dBm (1.4 MHz BW, band-dependent)</li> </ul>                                                                                                                                                                                                                                                                                   |
| Bluetooth®                    | <ul style="list-style-type: none"> <li>▪ BT 5.0 – Single mode</li> <li>▪ 4x Range (CODED PHY support) – BT 5.0</li> <li>▪ 2x Speed (2M PHY support) – BT 5.0</li> <li>▪ LE Advertising Extensions – BT 5.0</li> <li>▪ Concurrent master, slave</li> <li>▪ BLE Mesh capabilities</li> <li>▪ Diffie-Hellman based pairing (LE Secure Connections) – BT 4.2</li> <li>▪ Data Packet Length Extension – BT 4.2</li> <li>▪ Link Layer Privacy (LE Privacy 1.2) – BT 4.2</li> <li>▪ LE Dual Mode Topology – BT 4.1</li> <li>▪ LE Ping – BT 4.1</li> </ul> |
| Processor                     | <ul style="list-style-type: none"> <li>▪ 32-bit ARM® Cortex®-M4F @ 64 MHz</li> <li>▪ Full-speed 12 Mbps USB controller</li> <li>▪ +8 dBm BLE TX Power Setting</li> <li>▪ -91 dBm BLE RX Sensitivity (1 Mbps)</li> <li>▪ High speed SPI interface 32 MHz</li> <li>▪ 12 bit/200K SPS ADC</li> <li>▪ 128-bit AES/ECB/CCM/AAR co-processor</li> </ul>                                                                                                                                                                                                  |

## 2.2 Block Diagram

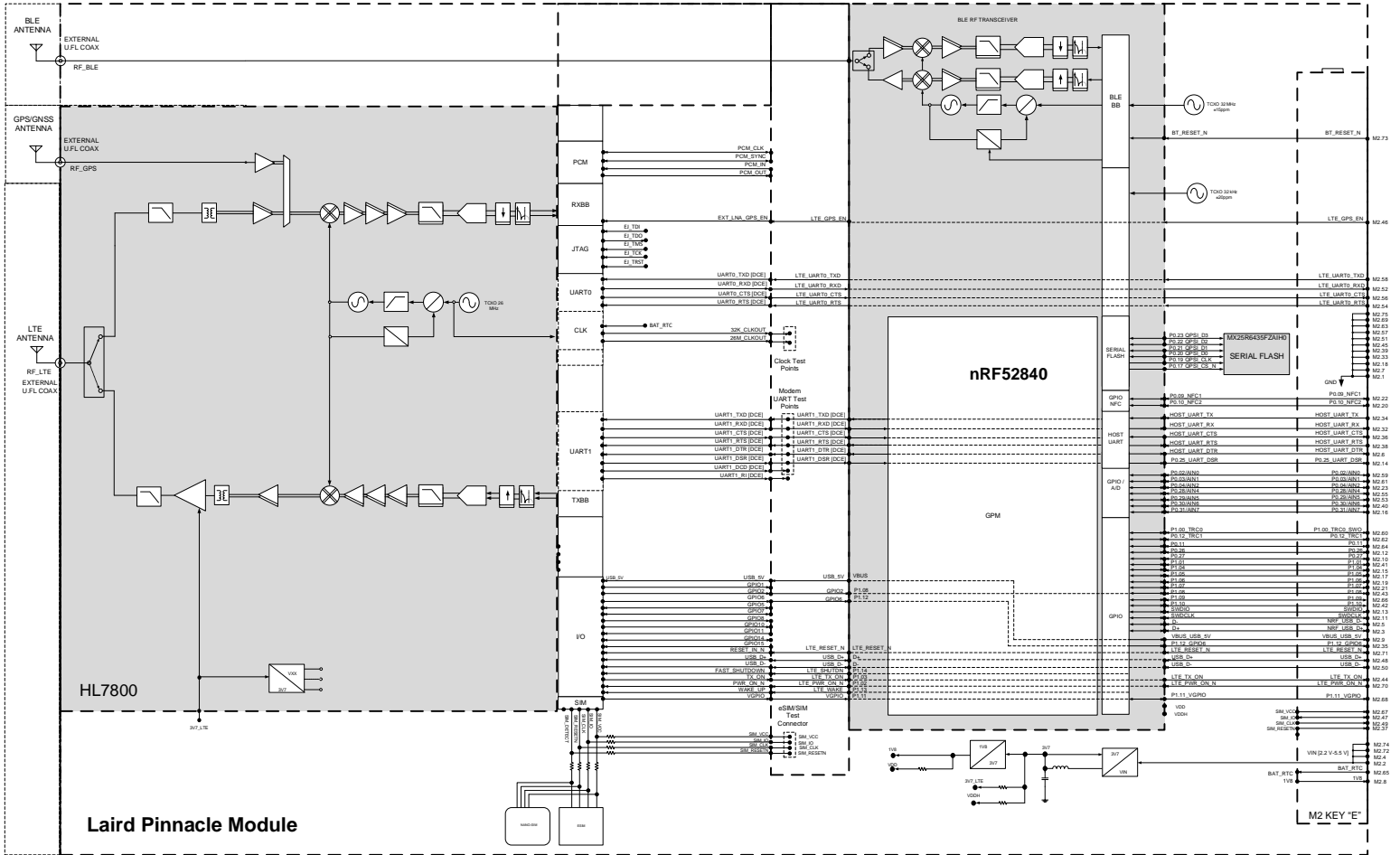


Figure 1: Pinnacle™ 100 block diagram

## 2.3 Pin Definitions

**Table 2: Pin definitions**

| Pin # | Pin Name        | Default Function | Alternate Function | Type       | In/Out | Pull Up/Down | Voltage Domain | nRF52840 HL7800 Pin | nRF52840 QFN HL7800 Name | Comment                       |
|-------|-----------------|------------------|--------------------|------------|--------|--------------|----------------|---------------------|--------------------------|-------------------------------|
| 1     | GND             |                  |                    | COM        |        |              |                |                     | GND                      |                               |
| 2     | VIN             |                  |                    | PI         | IN     |              | DC-DC          |                     |                          | 2.2V – 5.5V                   |
| 3     | NRF_USB_D+      | D+               |                    | DIO        | IN     |              | NRF            | AD6<br>–            | D+<br>–                  | J10                           |
| 4     | VIN             |                  |                    | PI         | IN     |              | DC-DC          |                     |                          | 2.2V – 5.5V                   |
| 5     | NRF_USB_D-      | D-               | -                  | DIO        | IN     |              | NRF            | AD4<br>–            | D-<br>–                  | J10                           |
| 6     | HOST_UART1_DTR  | UART1_DTR        |                    | DO         |        |              | HL             |                     |                          | None                          |
| 7     | GND             |                  |                    | COM        |        |              |                |                     | GND                      |                               |
| 8     | 1V8             |                  |                    | PO         | OUT    |              | LDO            | –                   | –                        | 1.8V LDO IO Ref               |
| 9     | USB_5V          |                  |                    | PI         | IN     |              | NRF<br>HL      | AD2<br>C16          | VBUS<br>USB_VBUS         | 4.35V – 5.5V<br>4.75V – 5.25V |
| 10    | P0.27           | P0.27            |                    | DIO        | IN     | PULL-UP      | NRF            | H2<br>–             | P0.27<br>–               | I2C SCL<br>–                  |
| 11    | SWDCLK          | SWDCLK           |                    | DIO        | IN     | PULL-DOWN    | NRF            | AA24<br>–           | SWDCLK<br>–              | SWDCLK<br>–                   |
| 12    | P0.26           | P0.26            |                    | DIO        | IN     | PULL-UP      | NRF            | G1<br>–             | P0.26<br>–               | I2C SDA<br>–                  |
| 13    | SWDIO           | SWDIO            |                    | DIO        | IN     | PULL-UP      | NRF            | AC24<br>–           | SWDIO<br>–               |                               |
| 14    | P0.25_UART1_DSR | UART1_DSR        |                    | DO         | OUT    |              | HL             | AC21<br>C9          | P0.25<br>UART1_DSR       |                               |
| 15    | P1.04           | P1.04            |                    | DIO        | IN     | PULL-UP      | NRF            | U24<br>–            | P1.04<br>–               | LED1 (Blue)<br>–              |
| 16    | P0.31_AIN7      | P0.31            | AIN7               | DIO<br>AIO | IN     | PULL-UP      | NRF            | A8<br>–             | P0.31/AIN7<br>–          | SW1<br>–                      |
| 17    | P1.05           | P1.05            |                    | DIO        | IN     | PULL-UP      | NRF            | T23<br>–            | P1.05<br>–               | LED2 (Green)<br>–             |
| 18    | GND             |                  |                    | COM        |        |              |                |                     | GND                      |                               |
| 19    | P1.06           | P1.06            |                    | DIO        | IN     | PULL-UP      | NRF            | R24<br>–            | P1.06<br>–               | LED3 (Red)<br>–               |
| 20    | P0.10_NFC2      | P0.10            | NFC2               | AIO        | IN     |              | NRF            | J24<br>–            | P0.10/NFC2<br>–          |                               |
| 21    | P1.07           | P1.07            |                    | DIO        | IN     | PULL-UP      | NRF            | P23<br>–            | P1.07<br>–               | LED4 (Green)<br>–             |



| Pin # | Pin Name      | Default Function | Alternate Function | Type       | In/Out | Pull Up/Down | Voltage Domain | nRF52840 HL7800 Pin | nRF52840 QFN HL7800 Name | Comment              |
|-------|---------------|------------------|--------------------|------------|--------|--------------|----------------|---------------------|--------------------------|----------------------|
| 22    | P0.09_NFC1    | P0.09            | NFC1               | AIO        | IN     |              | NRF            | L24<br>-            | P0.09/NFC1<br>-          |                      |
| 23    | P0.04_AIN2    | P0.04            | AIN2               | DIO<br>AIO | IN     | PULL-UP      | NRF            | J1<br>-             | P0.04/AIN2<br>-          | SW3<br>-             |
| 24-31 | Mech Key E    |                  |                    |            |        |              |                |                     |                          |                      |
| 32    | HOST_UART_RX  | UART_RX          |                    | DO         | OUT    |              | NRF            | L1<br>-             | P0.06<br>-               |                      |
| 33    | GND           |                  |                    | COM        |        |              |                |                     | GND                      |                      |
| 34    | HOST_UART_TX  | UART_TX          |                    | DI         | IN     | PULL-UP      | NRF            | N1<br>-             | P0.08<br>-               |                      |
| 35    | P1.12_GPIO6   |                  |                    | DO         |        |              | HL             | -                   | P1.12<br>GPIO6           |                      |
| 36    | HOST_UART_CTS | UART_CTS         |                    | DO         | OUT    |              | NRF            | K2<br>-             | P0.05/AIN3<br>-          |                      |
| 37    | SIM_RST       |                  |                    | DO         |        |              | HL             | -<br>C29            | -<br>UIM1_RESET          | -<br>Support Ext SIM |
| 38    | HOST_UART_RTS | UART_RTS         |                    | DI         | IN     |              | NRF            | M2<br>-             | P0.07/TRACECLK<br>-      |                      |
| 39    | GND           |                  |                    | COM        |        |              |                |                     | GND                      |                      |
| 40    | P0.30_AIN6    | P0.30            | AIN6               | DIO<br>AIO |        |              | NRF            | B9<br>-             | P0.30/AIN6<br>-          |                      |
| 41    | P1.01         |                  |                    | DIO        |        |              | NRF            | Y23<br>-            | P1.01<br>-               | AUTORUN<br>-         |
| 42    | P1.10         |                  |                    | DIO        |        |              | NRF            | A20<br>-            | P1.10<br>-               |                      |
| 43    | P1.08_GPIO2   |                  |                    | DO         |        |              | HL             | P2<br>C10           | P1.08<br>GPIO2           |                      |
| 44    | TX_ON         |                  |                    | DO         | OUT    |              | HL             | V23<br>C60          | P1.03<br>TX_ON           |                      |
| 45    | GND           |                  |                    | COM        |        |              |                |                     | GND                      |                      |
| 46    | GPS_LNA_EN    |                  |                    | DI         | IN     |              | HL             | -<br>C43            | -<br>EXT_LNA_GPS_EN      |                      |
| 47    | SIM_IO        |                  |                    | DO         |        |              | HL             | -<br>C28            | -<br>UIM1_DATA           | -<br>Support Ext SIM |
| 48    | HL_USB_D+     |                  |                    | DIO        |        |              | HL             | -<br>C13            | -<br>USB_D+              | J7                   |
| 49    | SIM_CLK       |                  |                    | DIO        |        |              | HL             | -<br>C27            | -<br>UIM1_CLK            | -<br>Support Ext SIM |

| Pin # | Pin Name       | Default Function | Alternate Function | Type       | In/ Out | Pull Up/ Down | Voltage Domain | nRF52840 HL7800 Pin | nRF52840 QFN HL7800 Name | Comment              |
|-------|----------------|------------------|--------------------|------------|---------|---------------|----------------|---------------------|--------------------------|----------------------|
| 50    | HL_USB_D-      |                  |                    | DIO        |         |               | HL             | -<br>C12            | -<br>USB_D-              | J7                   |
| 51    | GND            |                  |                    | COM        |         |               |                |                     | GND                      |                      |
| 52    | UART0_RX       |                  |                    | DO         |         |               | HL             | -<br>C55            | -<br>UART0_RX            | -<br>HL7800 Debug    |
| 53    | P0.29_AIN5     |                  | AIN5               | DIO<br>AIO |         |               | NRF            | A10<br>-            | P0.29/AIN5<br>-          | VIN_ADC              |
| 54    | UART0_RTS      |                  |                    | DI         |         |               | HL             | -<br>C58            | -<br>UART0_RTS           | -<br>HL7800 Debug    |
| 55    | P0.28_AIN4     |                  | AIN4               | DIO<br>AIO |         |               | NRF            | B11<br>-            | P0.28/AIN4<br>-          | VIN_ADC_EN           |
| 56    | UART0_CTS      |                  |                    | DO         |         |               | HL             | -<br>C57            | -<br>UART0_CTS           | -<br>HL7800 Debug    |
| 57    | GND            |                  |                    | COM        |         |               |                |                     | GND                      |                      |
| 58    | UART0_TX       |                  |                    | DI         |         |               | HL             | -<br>C56            | -<br>UART0_TX            | -<br>HL7800 Debug    |
| 59    | P0.02_AIN0     | P0.02            | AIN0               | DIO<br>AIO |         |               | NRF            | A12<br>-            | P0.02/AIN0<br>-          | SW4                  |
| 60    | P1.00_TRC0_SWO | P1.00            | TRC0               | DIO        |         |               | NRF            | AD22<br>-           | P1.00/TRACEDATA0<br>-    |                      |
| 61    | P0.03_AIN1     | P0.03            | AIN1               | DIO<br>AIO |         |               | NRF            | B13<br>-            | P0.03/AIN1<br>-          | SW2                  |
| 62    | P0.12_TRC1     | P0.12            | TRC1               | DIO        |         |               | NRF            | U1<br>-             | P0.12/TRACEDATA1<br>-    |                      |
| 63    | GND            |                  |                    | COM        |         |               |                |                     | GND                      |                      |
| 64    | P0.11_TRC2     | P0.11            | TRC2               | DIO        |         |               | NRF            | T2<br>-             | P0.11/TRACEDATA2<br>-    |                      |
| 65    | BAT_RTC        |                  |                    | PI         |         |               | HL             | -<br>C21            | -<br>BAT_RTC             |                      |
| 66    | P1.09_TRC3     | P1.09            | TRC3               | DIO        |         |               | NRF            | R1<br>-             | P1.09/TRACEDATA3<br>-    |                      |
| 67    | 1V8_SIM        |                  |                    | PO         |         |               | HL             | -<br>C26            | -<br>UIM1_VCC            | -<br>Support Ext SIM |
| 68    | P1.11_VGPIO    | P1.11            | VGPIO              | DO         |         |               | HL             | B19<br>C45          | P1.11<br>VGPIO           |                      |
| 69    | GND            |                  |                    | COM        |         |               |                |                     | GND                      |                      |
| 70    | nPWR_ON        |                  |                    | DI         |         |               | HL             | W24<br>C59          | P1.02<br>PWR_ON_N        |                      |

| Pin # | Pin Name   | Default Function | Alternate Function | Type | In/Out | Pull Up/Down | Voltage Domain | nRF52840 HL7800 Pin | nRF52840 QFN HL7800 Name | Comment     |
|-------|------------|------------------|--------------------|------|--------|--------------|----------------|---------------------|--------------------------|-------------|
| 71    | nLTE_RESET |                  |                    | DO   |        |              | HL             | A14<br>C11          | P1.15<br>RESET_IN_N      |             |
| 72    | VIN        |                  |                    | PI   | IN     |              | DC-DC          | -                   | -                        | 2.2V – 5.5V |
| 73    | nBT_RESET  |                  |                    | DI   |        |              | NRF            | AC13<br>-           | P0.18/nRESET<br>-        | -           |
| 74    | VIN        |                  |                    | PI   | IN     |              | DC-DC          |                     |                          | 2.2V – 5.5V |
| 75    | GND        |                  |                    | COM  |        |              |                |                     | GND                      |             |

**Note:**

- AI = Analog Input
- AO = Analog Output
- AIO = Analog Input/Output
- DI = Digital Input
- DO = Digital Output
- DIO = Digital Input/Output
- PI = Power Supply Input
- PO = Power Supply Output
- COM = Common Ground

## 2.4 General Parameters

**Table 3: General parameters**

| Parameter              | Min                                                                                                                                                                                                                       | Typical                        | Max | Unit |
|------------------------|---------------------------------------------------------------------------------------------------------------------------------------------------------------------------------------------------------------------------|--------------------------------|-----|------|
| VIN supply range       | 2.2                                                                                                                                                                                                                       | 3.7                            | 5.5 | V    |
| VBUS USB supply range  | 4.75                                                                                                                                                                                                                      | 5.0                            | 5.5 | V    |
| <b>Antenna Options</b> |                                                                                                                                                                                                                           |                                |     |      |
| Integrated             | <ul style="list-style-type: none"> <li>▪ LTE Bent Metal and PCB Trace monopole antenna – on-modem <b>453-00010 variant</b></li> </ul>                                                                                     |                                |     |      |
| External               | <ul style="list-style-type: none"> <li>▪ LTE and BLE dipole antennas (with SMA and RPSMA connector)</li> <li>▪ Flex carrier PCB antennas (with U.FL connector) <b>453-00011 variant</b>. Connection via 3 U.FL</li> </ul> |                                |     |      |
| <b>Physical</b>        |                                                                                                                                                                                                                           |                                |     |      |
| Dimensions             | PCI Express Key E Card Edge                                                                                                                                                                                               |                                |     |      |
|                        | 453-00010                                                                                                                                                                                                                 | 48.30 mm x 49.00 mm x 12.89 mm |     |      |
|                        | 453-00011                                                                                                                                                                                                                 | 30.51 mm x 49.00 mm x 4.58 mm  |     |      |
| Weight                 | 453-00010                                                                                                                                                                                                                 | 9.7 g                          |     |      |
|                        | 453-00011                                                                                                                                                                                                                 | 4.4 g                          |     |      |
| <b>Environmental</b>   |                                                                                                                                                                                                                           |                                |     |      |
| Operating              | -40 °C to +85 °C                                                                                                                                                                                                          |                                |     |      |
| Storage                | -40 °C to +125 °C                                                                                                                                                                                                         |                                |     |      |

| Parameter                | Min                                                           | Typical | Max | Unit |
|--------------------------|---------------------------------------------------------------|---------|-----|------|
| <b>Miscellaneous</b>     |                                                               |         |     |      |
| Lead Free                | Lead-free and RoHS compliant                                  |         |     |      |
| Warranty                 | One-Year Warranty                                             |         |     |      |
| <b>Development Tools</b> |                                                               |         |     |      |
| Development Kit          | Development kit per modem SKU (453-00010-K1 and 453-00011-K1) |         |     |      |
| <b>Approvals</b>         |                                                               |         |     |      |
| Bluetooth®               | Full Bluetooth SIG Declaration ID                             |         |     |      |
| FCC/IC/CE                | <i>(Pending)</i>                                              |         |     |      |
| PTCRB/GFC                | Pending, North America/EU <i>(Pending)</i>                    |         |     |      |
| Carrier Certification    | Verizon, AT&T, Vodafone <i>(Pending)</i>                      |         |     |      |

### 3 LTE HARDWARE SPECIFICATIONS

#### 3.1 LTE RF Parameters

Table 4: LTE RF parameters

| Parameter                                    | Min                               | Typical   | Max               | Unit       |                   |
|----------------------------------------------|-----------------------------------|-----------|-------------------|------------|-------------------|
| LTE Band Support                             | 1, 2, 3, 4, 5, 8*, 12, 13, 20, 28 |           |                   |            |                   |
| Max LTE TX Power (25°)                       | 21.5                              | 23        | 24.5              | dBm        |                   |
| Rx Sensitivity (25°, 95% maximum throughput) | <b>Band</b>                       | <b>M1</b> | <b>GGPP Limit</b> | <b>NB1</b> | <b>GGPP Limit</b> |
|                                              | 1                                 | -106      |                   |            |                   |
|                                              | 2                                 | -106      | -100.3            | -114.5     | -107.5            |
|                                              | 3                                 | -106      |                   |            |                   |
|                                              | 4                                 | -105.5    | -102.3            | -114       | -107.5            |
|                                              | 5                                 | -105      | -100.8            | -114       | -107.5            |
|                                              | 8                                 | -105      |                   |            |                   |
|                                              | 12                                | -105      | -99.3             | -113.5     | -107.5            |
|                                              | 13                                | -105.5    | -99.3             | -114       | -107.5            |
|                                              | 20                                | -105      | -98.3             | -114       | -107.5            |
|                                              | 28                                | -105      |                   |            |                   |

**Note:** The HL 7800 can support additional LTE Bands, but the antennas and the certifications **DO NOT**.

\* Band 8 supported by Laird's Dipole Blade DBA6927C1-FSMAM antenna

## 3.2 LTE Current

**Table 5: LTE current parameters**

| Parameter @ 25C        | 2.2V Typ | 3.7V Typ | 5.5V Typ | Unit |
|------------------------|----------|----------|----------|------|
| LTE TX Average Current | 550      | 250      | 200      | mA   |
| LTE TX Peak Current    | 950      | 650      | 600      | mA   |
| LTE RX Average Current |          | 45       |          | mA   |
| LTE Hibernate          |          | 100      |          | uA   |

## 3.3 USB Interface Parameters

The HL7800 LTE module has one Universal Serial Bus Interface Full Speed to load firmware updates.

**Table 6: USB interface parameters**

| Signal Name | M2 Pin No | I/O | Comments                                                                                                                                                                                                                                             |
|-------------|-----------|-----|------------------------------------------------------------------------------------------------------------------------------------------------------------------------------------------------------------------------------------------------------|
| D+          | 3         | I/O |                                                                                                                                                                                                                                                      |
| D-          | 5         | I/O |                                                                                                                                                                                                                                                      |
| VBUS        | 9         |     | When using the Pinnacle™ 100 VBUS pin (which is mandatory when USB interface is used), you <b>must</b> externally connect a 4.7uF capacitor to ground.<br><b>Note: MUST power the rest of Pinnacle™ 100 modem circuitry through the Vin 2.2-5.5V</b> |

**Note:** When the USB is used, the lowest power mode supported is Sleep mode.  
 VBUS must not be connected if Hibernate or Lite Hibernate mode is used.  
 These signals will be available in future firmware.

## 3.4 GPS Parameters

### 3.4.1 LTE\_GPS\_LNA\_EN (M2.46)

The modem M2.46 pin is connected to HL7800 through a series 1K resistor.

**Note:** This signal will be available in future firmware.

### 3.4.2 GPS Performance

The HL7800 supports GPS L1 signal (1575.42 ± 20 MHz) and GLONASS L1 FDMA signals (1597.5 – 1605.8 MHz), with 50Ω connection to CON2 (U.FL). The following GPS Performance is **expected performance** and not based on measurement.

**Table 7: GPS performance**

| Parameter         | Conditions                       | Typical Value |
|-------------------|----------------------------------|---------------|
| Sensitivity       | Cold Start                       | -146 dBm      |
|                   | Hot Start                        | -152 dBm      |
|                   | Tracking                         | -161 dBm      |
| TTFF              | Cold Start, Input Power -130 dBm | 35 s          |
|                   | Hot Start, Input Power -130 dBm  | 2 s           |
| 2D Position Error | Input Power -130 dBm             | 2.5 m         |
| Module Current    | Input Power -130 dBm             | 63.8 mA       |

**Note:** The GPS receiver shares the same RF resources as the 4G receiver. The end-device target should allow GPS positioning for asset management applications where infrequent and no real-time position updates are required.

### 3.5 BAT\_RTC

The HL7800 has an input to connect a Real Time Clock power supply. This pin is used as a back-up power supply for the internal Real Time Clock. The RTC is supported when VIN is available, but a back-up power supply is needed to save date and hour when VIN is switched off.

**Table 8 RTC battery parameters**

| Parameter                 | Min | Typical | Max  | Unit |
|---------------------------|-----|---------|------|------|
| Input voltage             | 2.2 | -       | 4.35 | V    |
| Input current consumption | -   | -       | 10   | µA   |

**Note:** This pin is input only and is not capable of charging a backup capacitor.

**This signal will be available in future firmware**

## 4 BLE HARDWARE SPECIFICATIONS

Table 9: nRF BLE parameters

| General                              |                                                                                            |
|--------------------------------------|--------------------------------------------------------------------------------------------|
| Frequency                            | 2.402 - 2.480 GHz                                                                          |
| Raw Data Rates                       | 1 Mbps BLE (over-the-air)                                                                  |
|                                      | 2 Mbps BLE (over-the-air)                                                                  |
|                                      | 125 kbps BLE (over-the-air)                                                                |
|                                      | 500 kbps BLE (over-the-air)                                                                |
| Maximum Transmit Power Setting       | +8 dBm   Conducted 453-00010 (Integrated LTE & BLE antennas)                               |
|                                      | +8 dBm   Conducted 453-00011 (3 U. FL, external antenna)                                   |
| Minimum Transmit Power Setting       | -40 dBm                                                                                    |
| Additional Transmit Power Settings   | -20 dBm, -16 dBm, -12 dBm, -8 dBm, -4 dBm, 0 dBm, 2 dBm, 3 dBm, 4 dBm, 5 dBm, 6 dBm, 7 dBm |
| Receive Sensitivity (≤37byte packet) | BLE 1 Mbps (BER=1E-3)   -91 dBm typical                                                    |
|                                      | BLE 2 Mbps   -87 dBm typical                                                               |
|                                      | BLE 125 kbps   -100 dBm typical                                                            |
| Link Budget (conducted)              | 97 dB   @ BLE 1 Mbps                                                                       |
|                                      | 106 dB   @ BLE 125 kbps                                                                    |

### NFC

**Based on NFC forum specification**

- 13.56 MHz
- Data rate 106 kbps
- NFC Type2 and Type 4 emulation

**Modes of Operation:**

- Disable
- Sense
- Activated

**Use Cases:**

- Touch-to-Pair with NFC
- Standard Tag to exchange; EX: url Launcher

**NFC enabled Out-of-Band Pairing**

- System Wake-On-Field function**
- Proximity Detection

### Host Interfaces and Peripherals

|              |                                                                 |
|--------------|-----------------------------------------------------------------|
| <b>Total</b> | <b>18 x multifunction I/O lines</b>                             |
| <b>UART</b>  | ▪ 1 UART (second UART interface connected to HL7800 internally) |
|              | ▪ Tx, Rx, CTS, RTS                                              |
|              | ▪ Default 115200, n, 8, 1                                       |
|              | ▪ From 1,200 bps to 1 Mbps                                      |
| <b>USB</b>   | ▪ USB 2.0 FS (Full Speed, 12Mbps).                              |
|              | ▪ CDC driver / Virtual UART                                     |

|                                                                   |                                                                                                                                                                                                                                                                                                                |
|-------------------------------------------------------------------|----------------------------------------------------------------------------------------------------------------------------------------------------------------------------------------------------------------------------------------------------------------------------------------------------------------|
| <b>GPIO</b>                                                       | <p>Up to 18, configurable by firmware:</p> <ul style="list-style-type: none"> <li>▪ I/O direction</li> <li>▪ O/P drive strength (standard 0.5 mA or high 3 mA)</li> <li>▪ Pull-up /pull-down</li> <li>▪ Input buffer disconnect</li> </ul>                                                                     |
| <b>ADC</b>                                                        | <ul style="list-style-type: none"> <li>▪ Seven 8/10/12-bit channels</li> <li>▪ 0.6 V internal reference</li> <li>▪ Configurable 4, 2, 1, 1/2, 1/3, 1/4, 1/5, 1/6 (default) pre-scaling</li> <li>▪ Configurable acquisition time 3uS, 5uS, 10uS (default), 15uS, 20uS, 40uS</li> <li>▪ One-shot mode</li> </ul> |
| <b>PWM Output</b>                                                 | <p>PWM outputs on 16 GPIO output pins.</p> <ul style="list-style-type: none"> <li>▪ PWM output duty cycle: 0%-100%</li> </ul> <p>PWM output frequency: Up to 500 kHz</p>                                                                                                                                       |
| <b>I2C</b>                                                        | <ul style="list-style-type: none"> <li>▪ Two I2C interface (up to 400 kbps)</li> </ul>                                                                                                                                                                                                                         |
| <b>SPI</b>                                                        | Four SPI Master Slave interface (up to 4 Mbps)                                                                                                                                                                                                                                                                 |
| <b>QSPI</b>                                                       | Not Available, Modem contains 8Mbit x 4 (64 Mbit) IC                                                                                                                                                                                                                                                           |
| <b>Temperature Sensor</b>                                         | <ul style="list-style-type: none"> <li>▪ One temperature sensor</li> <li>▪ Temperature range equal to the operating temperature range</li> <li>▪ Resolution 0.25°, Accuracy +/- 5°C</li> </ul>                                                                                                                 |
| <b>RSSI Detector</b>                                              | <ul style="list-style-type: none"> <li>▪ One RF received signal strength indicator</li> <li>▪ ±2 dB accuracy (valid over -90 to -20 dBm)</li> <li>▪ One dB resolution</li> </ul>                                                                                                                               |
| <b>I2S</b>                                                        | One inter-IC sound interface                                                                                                                                                                                                                                                                                   |
| <b>PDM</b>                                                        | One pulse density modulation interface                                                                                                                                                                                                                                                                         |
| <b>External 32.768 kHz crystal</b>                                | For more accurate timing                                                                                                                                                                                                                                                                                       |
| <b>Profiles</b>                                                   |                                                                                                                                                                                                                                                                                                                |
| <b>Services supported</b>                                         | <ul style="list-style-type: none"> <li>▪ Central mode</li> <li>▪ Peripheral mode</li> <li>▪ Mesh (with custom models)</li> </ul> <p>Custom and adopted profiles</p>                                                                                                                                            |
| <b>Programmability</b>                                            |                                                                                                                                                                                                                                                                                                                |
| <b>Zephyr or AT command Set</b>                                   | via SWD                                                                                                                                                                                                                                                                                                        |
| <b>Operating Modes</b>                                            |                                                                                                                                                                                                                                                                                                                |
| <b>Zephyr or AT command Set</b>                                   | Per examples                                                                                                                                                                                                                                                                                                   |
| <b>Power Consumption</b>                                          |                                                                                                                                                                                                                                                                                                                |
| <b>Active Modes Average Current (for maximum Tx power +8 dBm)</b> | 14.4 mA peak Tx @ 3.7V                                                                                                                                                                                                                                                                                         |
| <b>Active Modes Average Current (for Tx power -40 dBm)</b>        | 6.8 mA peak Tx @ 3.7V                                                                                                                                                                                                                                                                                          |



## 4.1 Programmability

### 4.1.1 Bootloader

The modem comes with a secure bootloader.

### 4.1.2 Zephyr Hostless Firmware

The Zephyr firmware provides a hostless example code used for the Out of Box demo (OOB). The modem is capable of taking readings from external BLE sensor and sending data to AWS.

### 4.1.3 Hosted Firmware

The Hosted firmware provides a hosted example code.

## 4.2 Electrical Specifications

### 4.2.1 Recommended Operating Parameters

**Table 10: Signal levels for interface, SIO**

| Parameter                                                                   | Min        | Typical | Max        | Unit |
|-----------------------------------------------------------------------------|------------|---------|------------|------|
| V <sub>IH</sub> Input high voltage                                          | 0.7 x 1.8V |         | 1.8V       | V    |
| V <sub>IL</sub> Input low voltage                                           | VSS        |         | 0.3 x 1.8V | V    |
| V <sub>OH</sub> Output high voltage<br>(std. drive, 0.5mA)                  | 1.8V -0.4  |         | 1.8V       | V    |
| (high drive, 3mA)                                                           | 1.8V -0.4  |         | 1.8V       | V    |
| V <sub>OL</sub> Output low voltage<br>(std. drive, 0.5mA)                   | VSS        |         | VSS+0.4    | V    |
| (high drive, 3mA)                                                           | VSS        |         | VSS+0.4    | V    |
| V <sub>OL</sub> Current at VSS+0.4V, Output set low<br>(std. drive, 0.5mA)  | 1          | 2       | 4          | mA   |
| (high drive, 3mA)                                                           | 3          | -       | -          | mA   |
| V <sub>OL</sub> Current at 1.8V -0.4, Output set low<br>(std. drive, 0.5mA) | 1          | 2       | 4          | mA   |
| (high drive, 3mA)                                                           | 3          | -       | -          | mA   |
| Pull up resistance                                                          | 11         | 13      | 16         | kΩ   |
| Pull down resistance                                                        | 11         | 13      | 16         | kΩ   |
| Pad capacitance                                                             |            | 3       |            | pF   |
| Pad capacitance at NFC pads                                                 |            | 4       |            | pF   |

**Table 11: SIO pin alternative function AIN (ADC) specification**

| Parameter                                                                                       | Min                              | Typical                                | Max         | Unit       |
|-------------------------------------------------------------------------------------------------|----------------------------------|----------------------------------------|-------------|------------|
| <b>Maximum sample rate</b>                                                                      |                                  |                                        | <b>200</b>  | <b>kHz</b> |
| ADC Internal reference voltage                                                                  | -1.5%                            | 0.6 V                                  | +1.5%       | %          |
| ADC pin input<br>internal selectable scaling                                                    |                                  | 4, 2, 1, 1/2,<br>1/3, 1/4, 1/5,<br>1/6 |             | scaling    |
| ADC input pin (AIN) voltage maximum without<br>damaging ADC w.r.t (see <a href="#">Note 1</a> ) |                                  |                                        |             |            |
| VCC Prescaling<br>0V-1.8V                                                                       | 4, 2, 1, 1/2, 1/3, 1/4, 1/5, 1/6 | 1.8V+0.3                               |             | V          |
| Configurable Resolution                                                                         | 8-bit mode                       | 10-bit mode                            | 12-bit mode | bits       |
| Configurable (see <a href="#">Note 2</a> )                                                      |                                  |                                        |             |            |
| Acquisition Time, source resistance ≤10 kΩ                                                      |                                  | 3                                      |             | uS         |
| Acquisition Time, source resistance ≤40 kΩ                                                      |                                  | 5                                      |             | uS         |
| Acquisition Time, source resistance ≤100 kΩ                                                     |                                  | 10                                     |             | uS         |
| Acquisition Time, source resistance ≤200 kΩ                                                     |                                  | 15                                     |             | uS         |
| Acquisition Time, source resistance ≤400 kΩ                                                     |                                  | 20                                     |             | uS         |
| Acquisition Time, source resistance ≤800 kΩ                                                     |                                  | 40                                     |             | uS         |
| Conversion Time (see <a href="#">Note 3</a> )                                                   |                                  | <2                                     |             | uS         |
| ADC input impedance (during operation) (see <a href="#">Note 3</a> )                            |                                  |                                        |             |            |
| Input Resistance                                                                                |                                  | >1                                     |             | MOhm       |
| Sample and hold capacitance at maximum gain                                                     |                                  | 2.5                                    |             | pF         |

**Recommended Operating Parameters Notes:**

|               |                                                                                                                                                                                                                                                                                                                                                                                                                                                                                                                                                                                                                                                                                                                            |
|---------------|----------------------------------------------------------------------------------------------------------------------------------------------------------------------------------------------------------------------------------------------------------------------------------------------------------------------------------------------------------------------------------------------------------------------------------------------------------------------------------------------------------------------------------------------------------------------------------------------------------------------------------------------------------------------------------------------------------------------------|
| <b>Note 1</b> | Stay within internal 0.6 V reference voltage with given pre-scaling on AIN pin and do not violate ADC maximum input voltage 1.8V (for damage).                                                                                                                                                                                                                                                                                                                                                                                                                                                                                                                                                                             |
| <b>Note 2</b> | Firmware allows configurable resolution (8-bit, 10-bit, or 12-bit mode) and acquisition time. Pinnacle™ 100 ADC is a Successive Approximation type ADC (SSADC), as a result no external capacitor is needed for ADC operation. Configure the acquisition time according to the source resistance that customer has.<br><br>The sampling frequency is limited by the sum of sampling time and acquisition time. The maximum sampling time is 2us. For acquisition time of 3us the total conversion time is therefore 5us, which makes maximum sampling frequency of 1/5us = 200kHz. Similarly, if acquisition time of 40us chosen, then the conversion time is 42us and the maximum sampling frequency is 1/42us = 23.8kHz. |
| <b>Note 3</b> | ADC input impedance is estimated mean impedance of the ADC (AIN) pins.                                                                                                                                                                                                                                                                                                                                                                                                                                                                                                                                                                                                                                                     |

### 4.3 BLE Power Consumption

Table 12: BLE Power consumption

| Parameter                                                                               | 2.2V Typ    | 3.7V Typ    | 5.5V Typ    | Unit |
|-----------------------------------------------------------------------------------------|-------------|-------------|-------------|------|
| <b>Active mode 1Mbps 'avg' current (Note 1)</b><br><b>(Advertising or Connection)</b>   | DCDC [LDO]  | DCDC [LDO]  | DCDC [LDO]  |      |
| Tx only run peak current @ Pwr Step = +8 dBm                                            | 25.4 [50.3] | 14.4 [28.5] | 12.0 [23.0] | mA   |
| Tx only run peak current @ Pwr Step= +7 dBm                                             | 23.5 [46.5] | 13.5 [27.0] | 11.4 [21.3] | mA   |
| Tx only run peak current @ Pwr Step= +6 dBm                                             | 22.4 [44.3] | 12.7 [25.1] | 11.0 [20.1] | mA   |
| Tx only run peak current @ Pwr Step= +5 dBm                                             | 20.5 [40.7] | 11.7 [22.8] | 10.2 [18.8] | mA   |
| Tx only run peak current @ Pwr Step= +4 dBm                                             | 19.7 [38.9] | 11.6 [21.6] | 9.9 [17.7]  | mA   |
| Tx only run peak current @ Pwr Step= +3 dBm                                             | 18.8 [36.7] | 10.9 [20.3] | 9.2 [17.1]  | mA   |
| Tx only run peak current @ Pwr Step= +2 dBm                                             | 17.6 [34.2] | 10.2 [18.8] | 8.8 [15.7]  | mA   |
| Tx only run peak current @ Pwr Step = 0 dBm                                             | 14.2 [25.7] | 8.5 [14.4]  | 7.5 [12.0]  | mA   |
| Tx only run peak current @ Pwr Step = -4 dBm                                            | 13.1 [22.7] | 7.4 [12.9]  | 7.0 [11.3]  | mA   |
| Tx only run peak current @ Pwr Step = -8 dBm                                            | 12.5 [21.5] | 7.3 [12.6]  | 6.8 [10.4]  | mA   |
| Tx only run peak current @ Pwr Step = -12 dBm                                           | 12.2 [20.5] | 7.2 [11.9]  | 6.7 [10.3]  | mA   |
| Tx only run peak current @ Pwr Step = -16 dBm                                           | 11.8 [19.8] | 7.2 [11.1]  | 6.6 [9.9]   | mA   |
| Tx only run peak current @ Pwr Step = -20 dBm                                           | 11.7 [19.4] | 7.1 [11.2]  | 6.4 [9.4]   | mA   |
| Tx only run peak current @ Pwr Step = -40 dBm                                           | 11.2 [17.9] | 6.8 [10.5]  | 6.3 [9.2]   | mA   |
| <b>Active mode 2Mbps 'avg' current (Note 1)</b><br><b>(Advertising or Connection)</b>   | DCDC [LDO]  | DCDC [LDO]  | DCDC [LDO]  |      |
| Tx only run peak current @ Pwr Step = +8 dBm                                            | 17.5 [32.0] | 10.3 [18.3] | 8.9 [15.3]  | mA   |
| Tx only run peak current @ Pwr Step= +7 dBm                                             | 16.7 [30.0] | 9.5 [17.2]  | 8.6 [14.2]  | mA   |
| Tx only run peak current @ Pwr Step= +6 dBm                                             | 15.9 [28.9] | 9.3 [16.2]  | 8.2 [13.6]  | mA   |
| Tx only run peak current @ Pwr Step= +5 dBm                                             | 15.0 [27.0] | 8.9 [15.2]  | 7.9 [12.9]  | mA   |
| Tx only run peak current @ Pwr Step= +4 dBm                                             | 14.7 [25.9] | 8.7 [14.6]  | 7.7 [12.3]  | mA   |
| Tx only run peak current @ Pwr Step= +3 dBm                                             | 14.0 [24.7] | 8.1 [14.1]  | 7.6 [12.1]  | mA   |
| Tx only run peak current @ Pwr Step= +2 dBm                                             | 13.3 [23.4] | 7.9 [13.2]  | 7.1 [11.5]  | mA   |
| Tx only run peak current @ Pwr Step = 0 dBm                                             | 11.5 [19.3] | 6.9 [11.0]  | 6.4 [9.5]   | mA   |
| Tx only run peak current @ Pwr Step = -4 dBm                                            | 10.8 [17.5] | 6.3 [10.0]  | 6.1 [9.1]   | mA   |
| Tx only run peak current @ Pwr Step = -8 dBm                                            | 10.8 [17.0] | 6.5 [9.7]   | 6.1 [8.8]   | mA   |
| Tx only run peak current @ Pwr Step = -12 dBm                                           | 10.5 [16.3] | 6.3 [9.9]   | 6.0 [8.5]   | mA   |
| Tx only run peak current @ Pwr Step = -16 dBm                                           | 10.4 [16.0] | 6.3 [9.2]   | 6.0 [8.3]   | mA   |
| Tx only run peak current @ Pwr Step = -20 dBm                                           | 10.4 [15.9] | 6.2 [9.2]   | 5.9 [8.4]   | mA   |
| Tx only run peak current @ Pwr Step = -40 dBm                                           | 10.0 [14.9] | 6.1 [9.0]   | 5.9 [8.0]   | mA   |
| <b>Active mode 500Kbps 'avg' current (Note 1)</b><br><b>(Advertising or Connection)</b> | DCDC [LDO]  | DCDC [LDO]  | DCDC [LDO]  |      |
| Tx only run peak current @ Pwr Step = +8 dBm                                            | 23.4 [46.1] | 13.1 [26.2] | 11.1 [21.2] | mA   |
| Tx only run peak current @ Pwr Step= +7 dBm                                             | 21.3 [42.7] | 12.2 [24.0] | 10.6 [19.8] | mA   |
| Tx only run peak current @ Pwr Step= +6 dBm                                             | 20.4 [40.8] | 11.5 [22.8] | 10.4 [18.7] | mA   |
| Tx only run peak current @ Pwr Step= +5 dBm                                             | 18.6 [37.2] | 10.9 [20.8] | 9.6 [17.0]  | mA   |
| Tx only run peak current @ Pwr Step= +4 dBm                                             | 17.9 [36.0] | 10.2 [19.7] | 9.0 [16.0]  | mA   |
| Tx only run peak current @ Pwr Step= +3 dBm                                             | 17.0 [33.9] | 10.0 [18.8] | 8.8 [16.0]  | mA   |
| Tx only run peak current @ Pwr Step= +2 dBm                                             | 16.1 [31.5] | 9.3 [17.3]  | 8.3 [14.5]  | mA   |

| Parameter                                                                               | 2.2V Typ    | 3.7V Typ    | 5.5V Typ    | Unit |
|-----------------------------------------------------------------------------------------|-------------|-------------|-------------|------|
| Tx only run peak current @ Pwr Step = 0 dBm                                             | 12.8 [23.6] | 7.5 [13.4]  | 7.0 [11.4]  | mA   |
| Tx only run peak current @ Pwr Step = -4 dBm                                            | 11.7 [20.8] | 7.2 [11.9]  | 6.5 [10.3]  | mA   |
| Tx only run peak current @ Pwr Step = -8 dBm                                            | 11.1 [19.9] | 6.8 [11.0]  | 6.5 [9.7]   | mA   |
| Tx only run peak current @ Pwr Step = -12 dBm                                           | 11.0 [18.7] | 6.6 [10.9]  | 6.3 [9.4]   | mA   |
| Tx only run peak current @ Pwr Step = -16 dBm                                           | 10.7 [18.4] | 6.6 [10.7]  | 6.2 [9.3]   | mA   |
| Tx only run peak current @ Pwr Step = -20 dBm                                           | 10.6 [17.8] | 6.4 [10.4]  | 6.1 [9.2]   | mA   |
| Tx only run peak current @ Pwr Step = -40 dBm                                           | 10.0 [16.5] | 6.2 [9.7]   | 6.0 [8.7]   | mA   |
| <b>Active mode 125Kbps 'avg' current (Note 1)</b><br><b>(Advertising or Connection)</b> | DCDC [LDO]  | DCDC [LDO]  | DCDC [LDO]  |      |
| Tx only run peak current @ Pwr Step = +8 dBm                                            | 30.7 [61.3] | 17.2 [34.7] | 14.2 [27.8] | mA   |
| Tx only run peak current @ Pwr Step= +7 dBm                                             | 27.9 [56.6] | 15.8 [31.7] | 13.1 [24.8] | mA   |
| Tx only run peak current @ Pwr Step= +6 dBm                                             | 26.4 [53.6] | 14.8 [29.8] | 12.5 [23.7] | mA   |
| Tx only run peak current @ Pwr Step= +5 dBm                                             | 24.1 [48.8] | 13.6 [27.1] | 11.4 [21.6] | mA   |
| Tx only run peak current @ Pwr Step= +4 dBm                                             | 22.9 [46.5] | 12.9 [25.8] | 11.1 [20.8] | mA   |
| Tx only run peak current @ Pwr Step= +3 dBm                                             | 21.5 [44.0] | 12.3 [24.0] | 10.5 [19.7] | mA   |
| Tx only run peak current @ Pwr Step= +2 dBm                                             | 20.1 [40.6] | 11.5 [22.1] | 10.1 [17.8] | mA   |
| Tx only run peak current @ Pwr Step = 0 dBm                                             | 15.7 [29.0] | 9.1 [16.1]  | 8.0 [13.5]  | mA   |
| Tx only run peak current @ Pwr Step = -4 dBm                                            | 14.0 [25.2] | 8.2 [13.9]  | 7.3 [11.8]  | mA   |
| Tx only run peak current @ Pwr Step = -8 dBm                                            | 13.4 [23.4] | 8.0 [13.6]  | 7.1 [11.4]  | mA   |
| Tx only run peak current @ Pwr Step = -12 dBm                                           | 12.7 [21.2] | 7.7 [12.7]  | 6.8 [10.7]  | mA   |
| Tx only run peak current @ Pwr Step = -16 dBm                                           | 12.8 [21.2] | 7.6 [12.2]  | 6.8 [10.5]  | mA   |
| Tx only run peak current @ Pwr Step = -20 dBm                                           | 12.4 [20.8] | 7.5 [11.8]  | 6.6 [10.0]  | mA   |
| Tx only run peak current @ Pwr Step = -40 dBm                                           | 11.8 [19.0] | 7.2 [10.8]  | 6.3 [9.1]   | mA   |
| <b>Active Mode</b>                                                                      | DCDC [LDO]  | DCDC [LDO]  | DCDC [LDO]  |      |
| Rx only 'avg' current, BLE 1Mbps (Note 1)                                               | 8.5[14.2]   | 9.6[16.9]   | 16.4[30.5]  | mA   |
| Rx only 'avg' current, BLE 2Mbps (Note 2)                                               | 9.0[15.2]   | 10.1[18.2]  | 17.4[33.0]  | mA   |
| Rx only 'avg' current, BLE 500Kbps (Note 2)                                             | 8.6[14.0]   | 9.4[16.6]   | 16.1[29.9]  | mA   |
| Rx only 'avg' current, BLE 125Kbps (Note 2)                                             | 8.3[14.0]   | 9.5[16.6]   | 16.2[29.8]  | mA   |
| <b>Ultra-Low Power Mode 1 (Note 2)</b><br>Standby Doze, 256k RAM retention              |             |             |             | uA   |
| <b>Ultra-Low Power Mode 2 (Note 3)</b><br>Deep Sleep (no RAM retention)                 |             |             |             | uA   |
| <b>Active Mode Average current (Note 4)</b><br><b>Advertising Average Current draw</b>  |             |             |             |      |
| <b>Max</b> , with advertising interval (min) 20 mS                                      |             | Note 4      |             | uA   |
| <b>Min</b> , with advertising interval (max) 10240 mS                                   |             | Note 4      |             | uA   |
| <b>Connection Average Current draw</b>                                                  |             |             |             |      |
| <b>Max</b> , with connection interval (min) 7.5 mS                                      |             | Note 4      |             | uA   |
| <b>Min</b> , with connection interval (max) 4000 mS                                     |             | Note 4      |             | uA   |

**Power Consumption Notes:**

**Note 1** | This is for avg Radio Current only.

**Power Consumption Notes:**

|               |                                                                                                                                                                                                                                                                                                                                                                                                                                                                                                                                                                                                                                                                                                                                                                                                                                                                                                                                                                                                                                                                                                                                                                                                                                                                                                                                                                                                                                                                                                                                                                                                                                                                                                                                                                                                                                                                                                                                                                                                                                                                                         |
|---------------|-----------------------------------------------------------------------------------------------------------------------------------------------------------------------------------------------------------------------------------------------------------------------------------------------------------------------------------------------------------------------------------------------------------------------------------------------------------------------------------------------------------------------------------------------------------------------------------------------------------------------------------------------------------------------------------------------------------------------------------------------------------------------------------------------------------------------------------------------------------------------------------------------------------------------------------------------------------------------------------------------------------------------------------------------------------------------------------------------------------------------------------------------------------------------------------------------------------------------------------------------------------------------------------------------------------------------------------------------------------------------------------------------------------------------------------------------------------------------------------------------------------------------------------------------------------------------------------------------------------------------------------------------------------------------------------------------------------------------------------------------------------------------------------------------------------------------------------------------------------------------------------------------------------------------------------------------------------------------------------------------------------------------------------------------------------------------------------------|
| <b>Note 2</b> | <p>Pinnacle™ 100 BLE chipset Standby Doze is 100 uA typical. Depending on active peripherals, current consumption ranges from 100 µA to 370 uA (when UART is ON).</p> <p>The Pinnacle™ 100 Standby Doze current consists of the below nRF52840 blocks:</p>                                                                                                                                                                                                                                                                                                                                                                                                                                                                                                                                                                                                                                                                                                                                                                                                                                                                                                                                                                                                                                                                                                                                                                                                                                                                                                                                                                                                                                                                                                                                                                                                                                                                                                                                                                                                                              |
| <b>Note 3</b> | <p>In Deep Sleep, everything is disabled and the only wake-up sources (including NFC to wakeup) are reset and changes on SIO or NFC pins on which sense is enabled. The current consumption seen is ~65 uA typical in Pinnacle™ 100 modems.</p> <ul style="list-style-type: none"> <li>▪ Coming out from Deep Sleep to Standby Doze through the reset vector.</li> </ul>                                                                                                                                                                                                                                                                                                                                                                                                                                                                                                                                                                                                                                                                                                                                                                                                                                                                                                                                                                                                                                                                                                                                                                                                                                                                                                                                                                                                                                                                                                                                                                                                                                                                                                                |
| <b>Note 4</b> | <p>Average current consumption depends on several factors (including Tx power, VCC, and accuracy of 32MHz and 32.768 kHz crystals). With these factors fixed, the largest variable is the advertising or connection interval set.</p> <p>Advertising Interval range:</p> <ul style="list-style-type: none"> <li>▪ 20 milliseconds to 10240 mS (10485759.375 mS in BT5.0) in multiples of 0.625 milliseconds.</li> </ul> <p>For an advertising event:</p> <ul style="list-style-type: none"> <li>▪ The minimum average current consumption is when the advertising interval is large 10240 mS (10485759.375 mS (in BT5.0) although this may cause long discover times (for the advertising event) by scanners</li> <li>▪ The maximum average current consumption is when the advertising interval is small 20 mS</li> </ul> <p>Other factors that are also related to average current consumption include the advertising payload bytes in each advertising packet and whether it's continuously advertising or periodically advertising.</p> <p>Connection Interval range (for a peripheral):</p> <ul style="list-style-type: none"> <li>▪ 7.5 milliseconds to 4000 milliseconds in multiples of 1.25 milliseconds.</li> </ul> <p>For a connection event (for a peripheral device):</p> <ul style="list-style-type: none"> <li>▪ The minimum average current consumption is when the connection interval is large 4000 milliseconds</li> <li>▪ The maximum average current consumption is with the shortest connection interval of 7.5 ms; no slave latency.</li> </ul> <p>Other factors that are also related to average current consumption include:</p> <ul style="list-style-type: none"> <li>▪ Number packets per connection interval with each packet payload size</li> <li>▪ An inaccurate 32.768 kHz master clock accuracy would increase the average current consumption.</li> </ul> <p>Connection Interval range (for a central device):</p> <ul style="list-style-type: none"> <li>▪ 2.5 milliseconds to 40959375 milliseconds in multiples of 1.25 milliseconds.</li> </ul> |

## 4.4 Clocks and Timers

### 4.4.1 Clocks

The integrated high accuracy 32 MHz (±10 ppm) crystal oscillator helps with radio operation and reducing power consumption in the active modes.

A 32.768 kHz (±20 ppm) crystal is also available for more accurate real time clock.

## 4.5 Radio Frequency (RF)

- 2402–2480 MHz Bluetooth Low Energy radio BT5.0 – 1 Mbps, 2 Mbps, and Long-range (125 kbps and 500 kbps) over-the-air data rate.
- Tx output programmable power steps include 8 dBm, 7dBm, 6dBm, 5dBm, 4dBm, 3dBm, 2dBm, 0dBm and further down to -20 dBm in steps of 4 dB and final TX power level of -40 dBm. The Pout of the modem will be 1-2 dB lower than the Power setting due to the Insertion Loss of a Bandpass filter.

- Receiver (with integrated channel filters) to achieve maximum sensitivity -91 dBm @ 1 Mbps BLE, -87 dBm @ 2 Mbps, -100 dBm @ 125 kbps long-range and -96 dBm @ 500 kbps long-range).
- RF conducted interface available with 453-00011 modem via the U.FL RF connectors: LTE, GPS, and BLE
- Antenna options:
  - Integrated PCB trace antenna on the 453-00010
  - External antenna connected with 3 U.FL connectors on the 453-00011
- Received Signal Strength Indicator (RSSI)
- RSSI accuracy (valid range -90 to -20 dBm) is  $\pm 2$  dB typical
- RSSI resolution 1 dB typical

## 4.6 NFC

NFC support:

- Based on the NFC forum specification
  - 13.56 MHz
  - Data rate 106 kbps
  - NFC Type2 and Type4 tag emulation
- Modes of operation
  - Disable
  - Sense
  - Activated

### 4.6.1 Use Cases

- Touch-to Pair with NFC
- Launch a smartphone app (on Android)
- NFC enabled Out-of-Band Pairing
- System Wake-On-Field function
- Proximity Detection

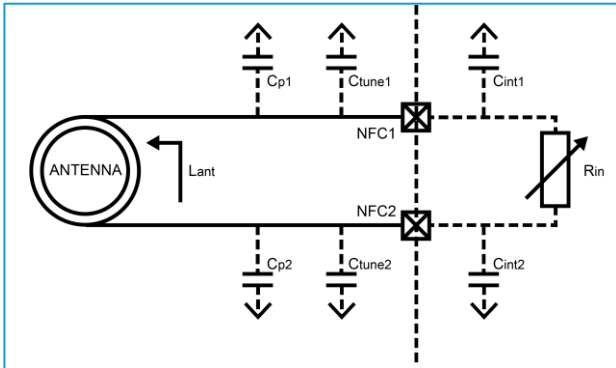
**Table 13: NFC interface**

| Signal Name | M2 Pin No | I/O | Comments                                                             |
|-------------|-----------|-----|----------------------------------------------------------------------|
| NFC1/SIO_09 | 22        | I/O | The NFC pins are by default GPIO and must be configured in firmware. |
| NFC2/SIO_10 | 20        | I/O |                                                                      |

## 4.6.2 NFC Antenna Coil Tuning Capacitors

From Nordic's *nRF52840 Objective Product Specification v1.0*: [http://infocenter.nordicsemi.com/pdf/nRF52840\\_PS\\_v1.0.pdf](http://infocenter.nordicsemi.com/pdf/nRF52840_PS_v1.0.pdf)

The NFC antenna coil must be connected differential between the NFC1 and NFC2 pins of the Pinnacle™ 100. Two external capacitors should be used to tune the resonance of the antenna circuit to 13.56 MHz (*Figure 2*).



**Figure 2: NFC antenna coil tuning capacitors**

The required external tuning capacitor value is given by the following equations:

$$C_{tune} = \frac{2}{(2\pi \cdot 13.56 \text{ MHz})^2 \cdot L_{ant}} - C_{tune} - C_{int}$$

An antenna inductance of  $L_{ant} = 0.72 \mu\text{H}$  provides tuning capacitors in the range of 300 pF on each pin. The total capacitance on NFC1 and NFC2 must be matched.  $C_{int}$  and  $C_p$  are small usually ( $C_{int}$  is 4pF), so can omit from calculation.

**Battery Protection Note:** If the NFC coil antenna is exposed to a strong NFC field, the supply current may flow in the opposite direction due to parasitic diodes and ESD structures.

If the used battery does not tolerate a return current, a series diode must be placed between the battery and the Pinnacle™ 100 to protect the battery.

## 4.7 UART Interface

**Note:** The Pinnacle™ 100 has two UARTs.

The Universal Asynchronous Receiver/Transmitter (UART) offers fast, full-duplex, asynchronous serial communication with built-in flow control support (UART\_CTS, UART\_RTS) in HW up to one Mbps baud. Parity checking and generation for the ninth data bit are supported.

UART\_TX, UART\_RX, UART\_RTS, and UART\_CTS form a conventional asynchronous serial data port with handshaking. The interface is designed to operate correctly when connected to other UART devices such as the 16550A. The signaling levels are nominal 0 V and 1.8 V and are inverted with respect to the signaling on an RS232 cable.

Two-way hardware flow control is implemented by UART\_RTS and UART\_CTS. UART\_RTS is an output and UART\_CTS is an input. Both are active low.

These signals operate according to normal industry convention. UART\_RX, UART\_TX, UART\_CTS, and UART\_RTS are all 1.8V level logic. For example, when RX and TX are idle they sit at 1.8 V. Conversely for handshaking pins, CTS and RTS, at 0 V is treated as an assertion.

The modem communicates with the customer application using the following signals:

- Port/TxD of the application sends data to the modem's UART\_RX signal line

- Port/RxD of the application receives data from the modem's UART\_TX signal line

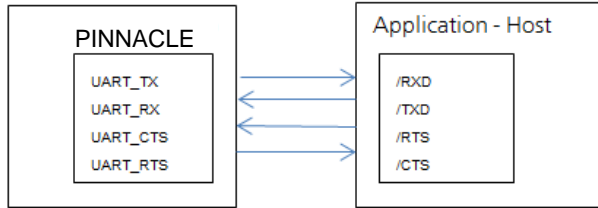


Figure 3: UART signals

**Note:** The Pinnacle™ 100 serial modem output is at 1.8V logic levels. Level conversion must be added to interface with an RS-232 level compliant interface.

Some serial implementations link CTS and RTS to remove the need for handshaking. We do not recommend linking CTS and RTS other than for testing and prototyping. If these pins are linked and the host sends data at the point that the Pinnacle™ 100 de-asserts its RTS signal, there is significant risk that internal receive buffers will overflow, which could lead to an internal processor crash. This will drop the connection and may require a power cycle to reset the modem. We recommend that the correct CTS/RTS handshaking protocol be adhered to for proper operation.

Table 14: UART interface

| Signal Name       | M2 Pin No | I/O | Comments                                                                                       |
|-------------------|-----------|-----|------------------------------------------------------------------------------------------------|
| SIO_06 / UART_Tx  | 34        | O   | SIO_06 (alternative function UART_Tx) is an output, set high (in firmware).                    |
| SIO_08 / UART_Rx  | 32        | I   | SIO_08 (alternative function UART_Rx) is an input, set with internal pull-up (in firmware).    |
| SIO_05 / UART_RTS | 38        | O   | SIO_05 (alternative function UART_RTS) is an output, set low (in firmware).                    |
| SIO_07 / UART_CTS | 36        | I   | SIO_07 (alternative function UART_CTS) is an input, set with internal pull-down (in firmware). |

## 4.8 USB interface

Pinnacle™ 100 has USB2.0 FS (Full Speed, 12Mbps) hardware capability.

Table 15: USB interface

| Signal Name | M2 Pin No | I/O | Comments                                                                                                                                                                                                                                             |
|-------------|-----------|-----|------------------------------------------------------------------------------------------------------------------------------------------------------------------------------------------------------------------------------------------------------|
| D+          | 3         | I/O |                                                                                                                                                                                                                                                      |
| D-          | 5         | I/O |                                                                                                                                                                                                                                                      |
| VBUS        | 9         |     | When using the Pinnacle™ 100 VBUS pin (which is mandatory when USB interface is used), <b>MUST</b> connect externally a 4.7uF capacitor to ground.<br><b>Note: MUST power the rest of Pinnacle™ 100 modem circuitry through the Vin = 2.2 - 5.5V</b> |



## 4.9 SPI Bus

The SPI interface is an alternate function on SIO pins.

The modem is a master device that uses terminals SPI\_MOSI, SPI\_MISO, and SPI\_CLK. SPI\_CS is implemented using any spare SIO digital output pins to allow for multi-dropping.

The SPI interface enables full duplex synchronous communication between devices. It supports a 3-wire (SPI\_MOSI, SPI\_MISO, SPI\_SCK,) bi-directional bus with fast data transfers to and from multiple slaves. Individual chip select signals are necessary for each of the slave devices attached to a bus, but control of these is left to the application through use of SIO signals. I/O data is double buffered.

The SPI peripheral supports SPI mode 0, 1, 2, and 3.

**Table 16: SPI interfaces**

| Signal Name     | M2 Pin No | I/O | Comments                                                                                   |
|-----------------|-----------|-----|--------------------------------------------------------------------------------------------|
| SIO_40/SPI_MOSI | 60        | O   |                                                                                            |
| SIO_12/SPI_MISO | 62        | I   |                                                                                            |
| SIO_11/SPI_CLK  | 64        | O   |                                                                                            |
| Any_SIO/SPI_CS  | -         | I   | SPI_CS is implemented using any spare SIO digital output pins to allow for multi-dropping. |

## 4.10 I2C Interface

The I2C interface is an alternate function on SIO pins.

The two-wire interface can interface a bi-directional wired-OR bus with two lines (SCL, SDA) and has master /slave topology. The interface is capable of clock stretching. Data rates of 100 kbps and 400 kbps are supported.

An I2C interface allows multiple masters and slaves to communicate over a shared wired-OR type bus consisting of two lines which normally sit at 1.8V. The SCL is the clock line which is always sourced by the master and SDA is a bi-directional data line which can be driven by any device on the bus.

**IMPORTANT:** It is essential to remember that pull-up resistors on both SCL and SDA lines are not provided in the modem and **MUST** be provided external to the modem.

**Table 17: I2C interface**

| Signal Name    | M2 Pin No | I/O | Comments                                             |
|----------------|-----------|-----|------------------------------------------------------|
| SIO_26/I2C_SDA | 12        | I/O | This interface is an alternate function on each pin. |
| SIO_27/I2C_SCL | 10        | I/O |                                                      |

## 4.11 General Purpose I/O, ADC, & PWM

### 4.11.1 GPIO

The 19 SIO pins are configurable via firmware. They can be accessed individually. Each has the following user configured features:

- Input/output direction
- Output drive strength (standard drive 0.5 mA or high drive 3mA)
- Internal pull-up and pull-down resistors (13 K typical) or no pull-up/down or input buffer disconnect
- Wake-up from high or low-level triggers on all pins including NFC pins

## 4.11.2 ADC

The ADC is an alternate function on SIO pins, configurable by firmware.

The Pinnacle™ 100 provides access to 8-channel 8/10/12-bit successive approximation ADC in one-shot mode. This enables sampling up to 8 external signals through a front-end MUX. The ADC has configurable input and reference pre-scaling and sample resolution (8, 10, and 12 bit).

### 4.11.2.1 Analog Interface (ADC)

**Table 18: Analog interface**

| Signal Name                | M2 Pin No | I/O | Comments                                                                                                                                                                                                                                                                       |
|----------------------------|-----------|-----|--------------------------------------------------------------------------------------------------------------------------------------------------------------------------------------------------------------------------------------------------------------------------------|
| SIO_02/AIN0 – Analog Input | 59        | I   |                                                                                                                                                                                                                                                                                |
| SIO_03/AIN1 – Analog Input | 61        | I   | This interface is an alternate function of each pin, Configurable 8, 10, 12-bit resolution. Configurable voltage scaling 4, 2, 1/1, 1/3, 1/3, 1/4, 1/5, 1/6 (default). Configurable acquisition time 3uS, 5uS, 10uS (default), 15uS, 20uS, 40uS. Full scale input range (1.8V) |
| SIO_04/AIN2 – Analog Input | 23        | I   |                                                                                                                                                                                                                                                                                |
| SIO_05/AIN3 – Analog Input | 36        | I   |                                                                                                                                                                                                                                                                                |
| SIO_28/AIN4 – Analog Input | 55        | I   |                                                                                                                                                                                                                                                                                |
| SIO_29/AIN5 – Analog Input | 53        | I   |                                                                                                                                                                                                                                                                                |
| SIO_30/AIN6 – Analog Input | 40        | I   |                                                                                                                                                                                                                                                                                |
| SIO_31/AIN7 – Analog Input | 16        | I   |                                                                                                                                                                                                                                                                                |

## 4.11.3 PWM Signal Output on Up to 16 SIO Pins

The PWM output is an alternate function on ALL (GPIO) SIO pins, configurable by firmware.

The **PWM output** signal has a frequency and duty cycle property. Frequency is adjustable (up to 1 MHz) and the duty cycle can be set over a range from 0% to 100%.

PWM output signal has a frequency and duty cycle property. PWM output is generated using dedicated hardware in the chipset. There is a trade-off between PWM output frequency and resolution.

For example:

- PWM output frequency of 500 kHz (2 uS) results in resolution of 1:2.
- PWM output frequency of 100 kHz (10 uS) results in resolution of 1:10.
- PWM output frequency of 10 kHz (100 uS) results in resolution of 1:100.
- PWM output frequency of 1 kHz (1000 uS) results in resolution of 1:1000

## 4.12 nRESET pin

**Table 19: nRESET pin**

| Signal Name | M2 Pin No | I/O | Comments                                                                                                       |
|-------------|-----------|-----|----------------------------------------------------------------------------------------------------------------|
| nRESET      | 73        | I   | Pinnacle™ 100 HW reset (active low). Pull the nRESET pin low for minimum 100mS for the Pinnacle™ 100 to reset. |

## 4.13 Two-Wire Interface SWD

**Table 20: SWD pins**

| Signal Name | M2 Pin No | I/O | Comments                    |
|-------------|-----------|-----|-----------------------------|
| SWDIO       | 13        | I/O | Internal pull-up resistor   |
| SWDCLK      | 11        | I   | Internal pull-down resistor |

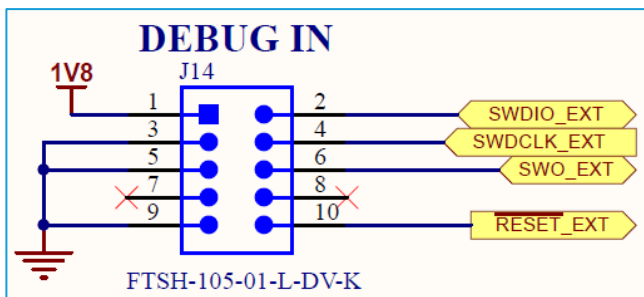
The Laird development board incorporates an on-board SWD programmer for this purpose. There is also the following SWD connector which allows on-board SWD debug and programming signals to be routed off the development board. The only requirement is that you should use the following SWD connector on the host PCB.

The SWD connector Manufacture Part number is as follows:

**Table 21 Programing Header**

| Reference | Part     | Description and MPN (Manufacturers Part Number)       |
|-----------|----------|-------------------------------------------------------|
| J14       | FTSH-105 | Header, 1.27mm, SMD, 10-way, FTSH-105-01-L-DV Samtech |

**Note:** Reference on the Pinnacle™ 100 development board schematic (Figure 4) shows the DVK development schematic wiring only for the JTAG connector and the Pinnacle™ 100 modem JTAG pins.



**Figure 4: Pinnacle™ 100 development board schematic**

**Note:** The Pinnacle™ 100 development board allows Laird on-board SWD programmer signals to be routed off the development board by connector J14

We highly recommend that you place the SWD header to handle future Pinnacle™ 100 modem firmware upgrades. You **MUST** wire out the SWD interface on your host design (see Figure 4, Required Signals SWDIO, SWDCLK, 1V8, & GND).

The SWO signal (SIO\_32. M2.60) is a Trace output (called SWO, Serial Wire Output) and is **not** necessary for programming Pinnacle™ 100 over the SWD interface.

nRESET\_BLE is **not** necessary for programming Pinnacle™ 100 over the SWD interface.

## 4.14 Pinnacle™ 100 Wakeup

### 4.14.1 Waking Up Pinnacle™ 100 from Host

The Pinnacle™ 100 can be woke up from the host using wake-up pins (any SIO pin). Pins may be configured in the firmware:

- Wake up when signal is low
- Wake up when signal is high
- Wake up when signal changes

## 4.15 Low Power Modes

The Pinnacle™ 100 support Low Power Mode, but current software is not optimized.

## 4.16 Security/Privacy

### 4.16.1 Random Number Generator

For Nordic related functionality, visit Nordic [infocenter.nordicsemi.com](http://infocenter.nordicsemi.com)

### 4.16.2 AES Encryption/Decryption

For Nordic related functionality, visit Nordic [infocenter.nordicsemi.com](http://infocenter.nordicsemi.com)

### 4.16.3 ARM Cryptocell

ARM Cryptocell incorporates a true random generator (TRNG) and support for a wide range of asymmetric, symmetric and hashing cryptographic services for secure applications.

### 4.16.4 Readback Protection

The Pinnacle™ 100 supports readback protection capability that disallows the reading of the memory on the nrf52840 using a JTAG interface.

### 4.16.5 Elliptic Curve Cryptography

The Pinnacle™ 100 offers a range of functions for generating public/private keypair, calculating a shared secret, as well as generating an authenticated hash.

## 4.17 External 32.768 kHz crystal

The Pinnacle™ 100 includes modem operation.

The Pinnacle™ 100 can use either the on-chip 32.76 kHz RC oscillator (LFCLK) by default (which has an accuracy of ±500 ppm) which requires regulator calibration (every eight seconds) to within ±500 ppm.

Or can use (Default) the external high accuracy (±20 ppm) 32.768 kHz crystal (and associated load capacitors) that are connected to the nRF. [Table 22](#) compares the current consumption difference between RC and crystal oscillator.

**Table 22: Comparing current consumption difference between Pinnacle™ 100 on-chip RC 32.76 kHz oscillator and external crystal (32.768 kHz) based oscillator**

|                                                                                                    | Pinnacle™ 100 On-chip 32.768 kHz RC Oscillator (±500 ppm) LFRC                                                                                                                                                                                                                                                                                                                                                                                                                                  | Optional External Higher Accuracy (±20 ppm) 32.768 kHz Crystal-based Oscillator LFXO |
|----------------------------------------------------------------------------------------------------|-------------------------------------------------------------------------------------------------------------------------------------------------------------------------------------------------------------------------------------------------------------------------------------------------------------------------------------------------------------------------------------------------------------------------------------------------------------------------------------------------|--------------------------------------------------------------------------------------|
| <b>Current Consumption of 32.768 kHz Block</b>                                                     | 0.7 uA                                                                                                                                                                                                                                                                                                                                                                                                                                                                                          | 0.23 uA                                                                              |
| <b>Standby Doze Current (SYSTEM ON IDLE + full RAM retention + RTC run current + LFRC or LFXO)</b> | 3.1 uA                                                                                                                                                                                                                                                                                                                                                                                                                                                                                          | 2.6 uA                                                                               |
| <b>Calibration</b>                                                                                 | <p>Calibration required regularly (default eight seconds interval).</p> <p>Calibration takes 33 ms; with DC-DC used, the total charge of a calibration event is 16 uC.</p> <p>The average current consumed by the calibration depends on the calibration interval and can be calculated using the following formula:</p> <p><b>CAL_charge/CAL_interval</b> – The lowest calibration interval (0.25 seconds) provides an average current of (DC-DC enabled):</p> <p><b>16uC/0.25s = 64uA</b></p> | Not applicable                                                                       |

|                | Pinnacle™ 100 On-chip 32.768 kHz RC Oscillator (±500 ppm) LFRC                                                                                                                                                                                                                                                                                                         | Optional External Higher Accuracy (±20 ppm) 32.768 kHz Crystal-based Oscillator LFXO                                                                                               |
|----------------|------------------------------------------------------------------------------------------------------------------------------------------------------------------------------------------------------------------------------------------------------------------------------------------------------------------------------------------------------------------------|------------------------------------------------------------------------------------------------------------------------------------------------------------------------------------|
|                | <p>To get the 500-ppm accuracy, the BLE stack specification states that a calibration interval of eight seconds is enough. This gives an average current of:</p> <p><b>16uC/8s = 2 uA</b></p> <p>Added to the LFRC run current and Standby Doze (IDLE) base current shown above results in a total average current of:</p> <p><b>LFRC + CAL = 3.1 + 2 = 5.1 uA</b></p> |                                                                                                                                                                                    |
| <b>Total</b>   | 5.1 uA                                                                                                                                                                                                                                                                                                                                                                 | 2.6 uA                                                                                                                                                                             |
| <b>Summary</b> | <ul style="list-style-type: none"> <li>▪ Low current consumption</li> <li>▪ Accuracy 500 ppm</li> </ul>                                                                                                                                                                                                                                                                | <ul style="list-style-type: none"> <li>▪ Lowest current consumption</li> <li>▪ Needs external crystal</li> <li>▪ High accuracy (depends on the crystal, usually 20 ppm)</li> </ul> |

## 5 HARDWARE INTEGRATION SUGGESTIONS

### 5.1 Circuit

The Pinnacle™ 100 is easy to integrate, requiring no external components on your board apart from those which you require for development and in your end application.

The following are suggestions for your design for the best performance and functionality.

#### Checklist (for Schematic):

- **Pinnacle™ 100 power supply:**  
Provide 2.2 -5.5 V to M2 Pins 2, 4, 72,74 with a power supply that can supply up to 1A @ 2.2V.
- **AIN (ADC) and SIO pin IO voltage levels**  
Pinnacle™ 100 SIO voltage levels are at 1.8V. Ensure input voltage levels into SIO pins are at 1.8V.
- **AIN (ADC) impedance and external voltage divider setup**  
If you need to measure with ADC a voltage higher than 1.8V, you can connect a high impedance voltage divider to lower the voltage to the ADC input pin.
- **SWD**  
This interface is used to load firmware.  
Laird recommends you use SWD (2-wire interface) to handle future Pinnacle™ 100 modem firmware upgrades. You MUST wire out the SWD(2-wire interface) on your host design (see [Figure 4](#), where four lines should be wired out, namely SWDIO, SWDCLK, GND and VCC).
- **UART**  
Required for modem communication and HL7800 communication.
- **UART\_RX and UART\_CTS**  
SIO\_08 (alternative function UART\_RX) is an input, set with internal weak pull-up (in firmware). The pull-up prevents the modem from going into deep sleep when UART\_RX line is idling.  
SIO\_07 (alternative function UART\_CTS) is an input, set with internal weak pull-down (in firmware). This pull-down ensures the default state of the UART\_CTS will be asserted which means can send data out of the UART\_TX line. Laird recommends that UART\_CTS be connected.
- **nAutoRUN pin and operating mode selection (Hosted Mode Only)**  
nAutoRUN pin needs to be externally held high or low to select between the two Pinnacle™ 100 operating modes at power-up:
  - Self-contained Run mode (nAutoRUN pin held at 0V).

- Interactive/development mode (nAutoRUN pin held at 1.8V).  
Make provision to allow operation in the required mode. Add jumper to allow nAutoRUN pin to be held high or low (Pinnacle™ 100 has internal 13K pull-down by default) OR driven by host GPIO.
- **I2C**  
It is essential to remember that pull-up resistors on both I2C\_SCL and I2C\_SDA lines are not provided in the Pinnacle™ 100 modem and MUST be provided external to the modem as per I2C standard.
- **SPI**  
Implement SPI chip select using any unused SIO pin within your application then SPI\_CS is controlled from the software application allowing multi-dropping.
- **SIO pin direction**  
Pinnacle™ 100 modems SIO pins (with default function of DIO) are mostly digital inputs (see **Error! Reference source not found.**). Remember to change the direction SIO pin if that particular pin is wired to a device that expects to be driven by the Pinnacle™ 100 SIO pin configured as an output. Also, these SIO pins have the internal pull-up or pull-down resistor-enabled by default in firmware (see **Error! Reference source not found.**). This was done to avoid floating inputs, which can cause current consumption in low power modes (e.g. StandbyDoze) to drift with time. You can disable the PULL-UP or Pull-down through their Nordic application.

---

**Note:** Internal pull-up, pull down takes current from 1.8V.

---

- **NFC antenna connector**

To make use of the Laird flexi-PCB NFC antenna, fit connector:

- Description – FFC/FPC Connector, Right Angle, SMD/90d, Dual Contact, 1.2 mm Mated Height
- Manufacturer – Molex
- Manufacturers Part number – 512810594

Add tuning capacitors of 300 pF on NFC1 pin to GND and 300 pF on NFC2 pins to GND if the PCB track length is similar as development board.

- **nRESET pin (active low)**

Hardware reset. Wire out to push button or drive by host.  
By default modem is out of reset when power applied to Vin pins.

## 5.2 PCB Layout on Host PCB - General

### Checklist (for PCB):

- MUST locate Pinnacle™ 100 modem M2 connector and Standoffs per the reference design. The positioning on the Intergerned Antenna host PCB must overhang the PCB edge matching the reference design (mandatory for the 453-00010 for on-board PCB trace antenna to radiate properly).
- Use solid GND plane on inner layer (for best EMC and RF performance).
- All modem GND pins MUST be connected to host PCB GND.
- Place GND vias close to modem GND pads as possible.
- Unused PCB area on surface layer can flooded with copper but place GND vias regularly to connect the copper flood to the inner GND plane. If GND flood copper is on the bottom of the modem, then connect it with GND vias to the inner GND plane.
- Route traces to avoid noise being picked up on VIN, 1V8, VBUS supply and AIN (analogue) and SIO (digital) traces.
- 453-00010 has an integrated PCB trace antenna and its performance is sensitive to host PCB. It is critical to locate the 453-00010 on the edge of the host PCB exactly like the reference design to allow the antenna to radiate properly.
- Keep all mounting hardware and metal clear of the area to allow proper antenna radiation.
  - For best antenna performance, place the 453-00010 modem on the edge of the host PCB, preferably in the edge centers, similar to the Reference Design
  - The Pinnacle™ 100 development board has the 453-00010 modem on the edge of the board (not in the corner).
  - The 453-00010 LTE Bent Metal and BLE PCB integrated antenna is tuned to a maximum host board size of 150mm x 100mm, and a minimum host board size of 42mm x 80 mm.

---

**Note:** The Pinnacle™ 100 modem is placed on the edge, preferably edge centre of the host PCB.

---

## 5.2.1 Antenna Keep-out and Proximity to Metal or Plastic

### Checklist (for metal /plastic enclosure):

- Minimum safe distance for metals without seriously compromising the antenna (tuning) is 40 mm top/bottom and 30 mm left or right.
- Metal close to the 453-00010 PCB trace monopole antenna (bottom, top, left, right, any direction) will have degradation on the antenna performance. The amount of that degradation is entirely system dependent, meaning you will need to perform some testing with your host application.
- Any metal closer than 20 mm will begin to significantly degrade performance (S11, gain, radiation efficiency).
- It is best that you test the range with a mock-up (or actual prototype) of the product to assess effects of enclosure height (and materials, whether metal or plastic).

## 5.3 BLE Antenna Integration

The Pinnacle™ 100 modem has been designed to operate with the following internal and external antennas (with a maximum gain of 2.0 dBi). The required antenna impedance is 50 ohms. See [Table 23](#). External antennas improve radiation efficiency.

**Table 23: External antennas for the Pinnacle™ 100**

| Manufacturer | Model    | Laird Part Number | Type       | Connector | Peak Gain     |  |
|--------------|----------|-------------------|------------|-----------|---------------|--|
|              |          |                   |            |           | 2400-2500 MHz |  |
| Laird        | NanoBlue | MAF94045          | PCB Dipole | IPEX U.FL | 2 dBi         |  |
| LSR          | FlexPIFA | 001-0014          | Patch      | U.FL      | 2 dBi         |  |
| LSR          | Dipole   | 001-0001          |            | RP-SMA    | 2 dBi         |  |

**Note:** The OEM is free to choose another vendor's antenna of like type and equal or lesser gain as an antenna appearing in the table and still maintain compliance. Reference FCC Part 15.204(c)(4) for further information on this topic.

To reduce potential radio interference to other users, the antenna type and gain should be chosen so that the equivalent isotropic radiated power (EIRP) is not more than that permitted for successful communication.

## 5.4 LTE Antenna Integration

The Pinnacle™ 100 family has been designed to operate with the below internal and external antennas (with a maximum gain of 3.7 dBi). The required antenna impedance is 50 ohms. See [Table 23](#). External antennas improve radiation efficiency.

**Table 24: External antennas for the Pinnacle™ 100**

| Manufacturer | Model                    | Laird Part Number | Type       | Connector | Peak Gain  |               |
|--------------|--------------------------|-------------------|------------|-----------|------------|---------------|
|              |                          |                   |            |           | 698-875MHz | 1710-2500 MHz |
| Laird        | Revie Flex               | EFF6925A3S-15MHF1 | PCB Dipole | IPEX U.FL | 1.9 dBi    | 3.7 dBi       |
| Laird        | Dipole Blade             | DBA6927C1-FSMAM   | Dipole     | SMA       | 0.5 dBi    | 2.2 dBi       |
| Laird        | Pinnacle™ 100 Bent Metal | 110-00665         | Bent Metal | N/A       | 1.3 dBi    | 2.6 dBi       |

**Note:** The OEM is free to choose another vendor's antenna of like type and equal or lesser gain as an antenna appearing in the table and still maintain compliance. Reference FCC Part 15.204(c)(4) for further information on this topic.

To reduce potential radio interference to other users, the antenna type and gain should be chosen so that the equivalent isotropic radiated power (EIRP) is not more than that permitted for successful communication.

## 6 MECHANICAL DETAILS

### 6.1 Pinnacle™ 100 Mechanical Details

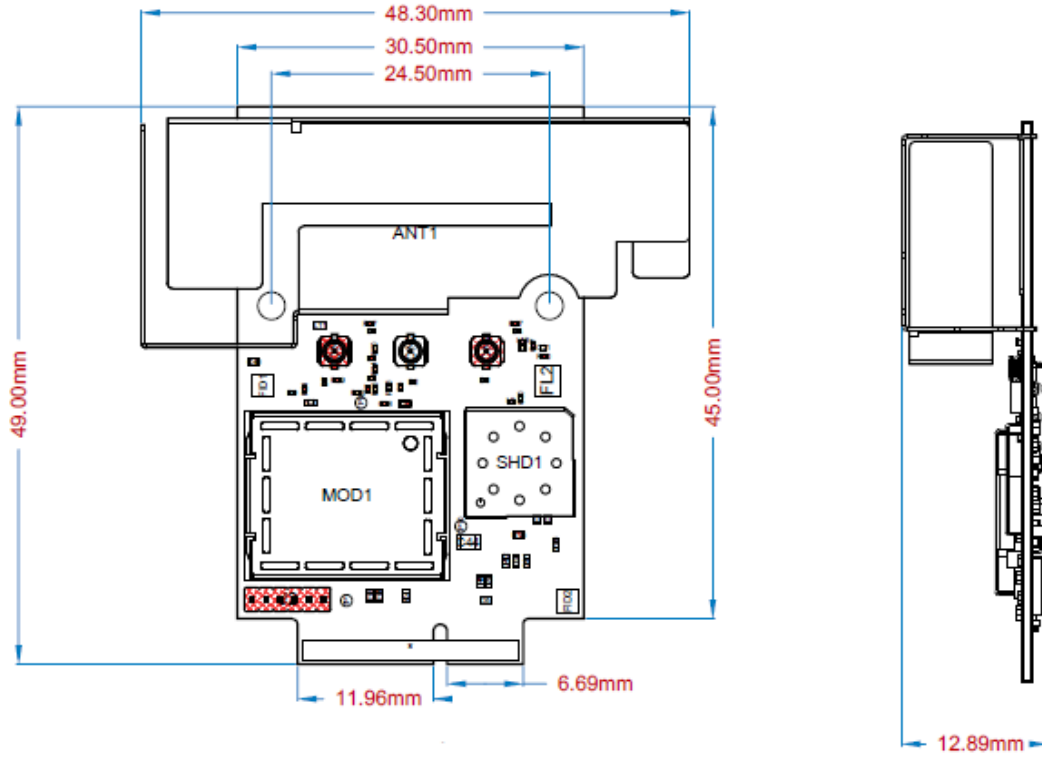


Figure 5: Pinnacle™ 100 453-00010 mechanical drawings

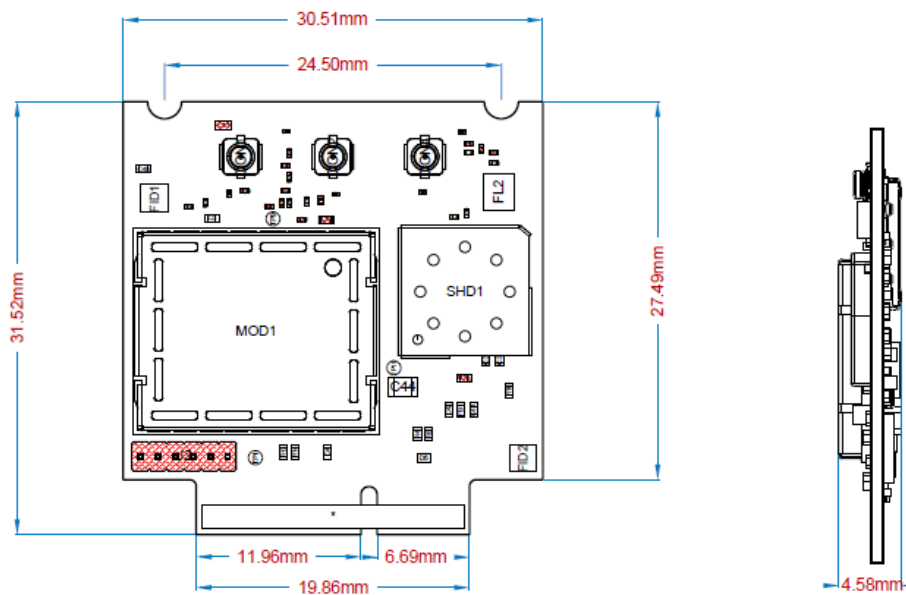


Figure 6: Pinnacle™ 100 453-00011 mechanical drawings



## 6.2 PCI Express M2 Connector and Standoffs

The Pinnacle™ 100 modem is connected to a host board using an TE Connectivity 2199230-4, 67 Position Female M.2 connector. The modem also requires two PEM threaded standoffs and two screws to hold the modem. A PCB footprint is providing the reference dimension of the connector to stand-off distances, as well as, the distance from PCB edge to PCB board edge.

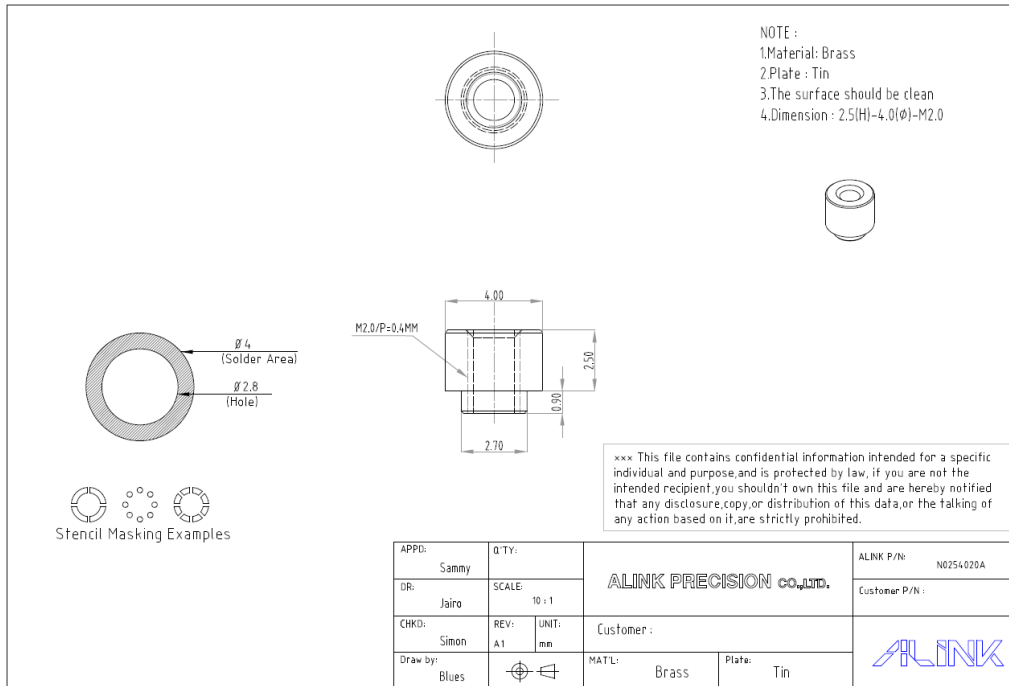


Figure 7: PEM Threaded Standoff mechanical drawings

## 6.3 Mounting Screw

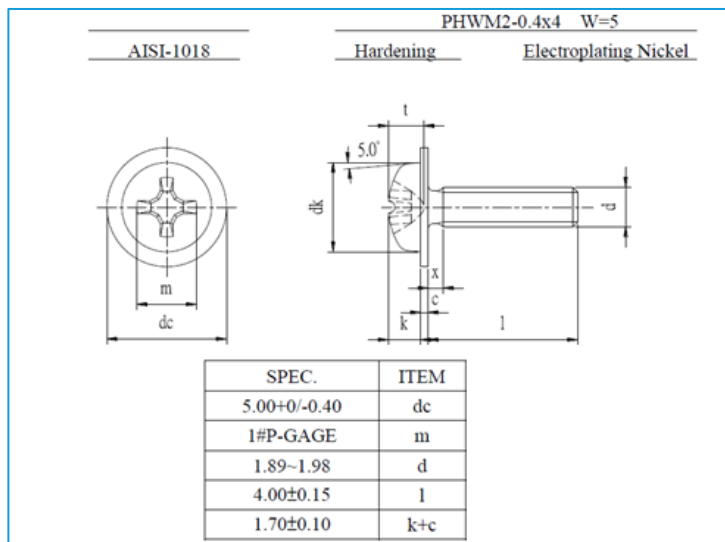


Figure 8: Mounting Screw mechanical drawing

## 6.4 Shipping

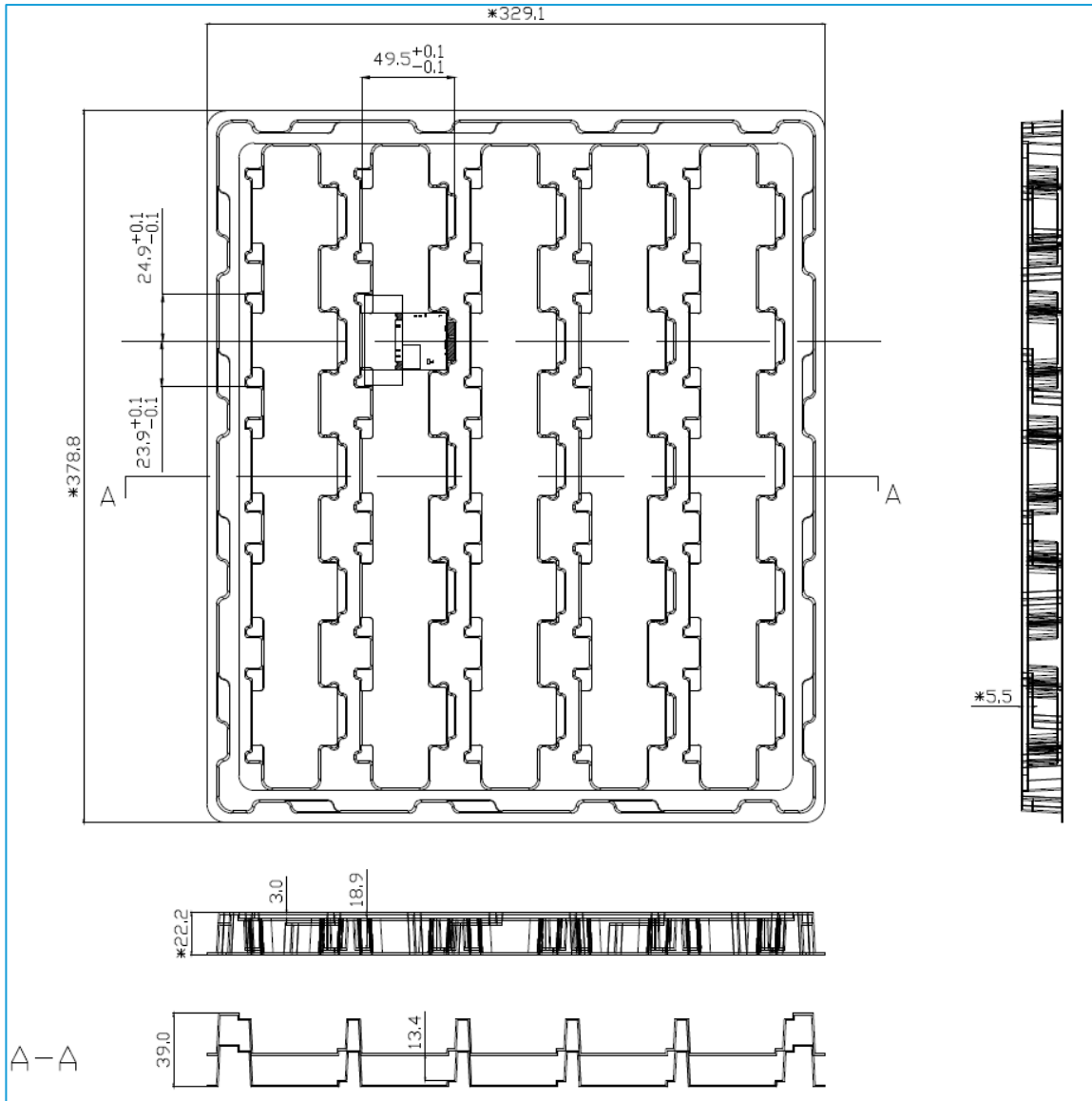
All modems are shipped in trays and sealed in ESD Bags.

453-0010T ship a quantity of 25 per tray.

453-00011T ship a quantity of 50 per tray.

### 6.4.1 Tray Dimensions

#### 453-00010T:



**Figure 9: 453-00010 modem tray (mm) 25 per tray**

453-00011T:

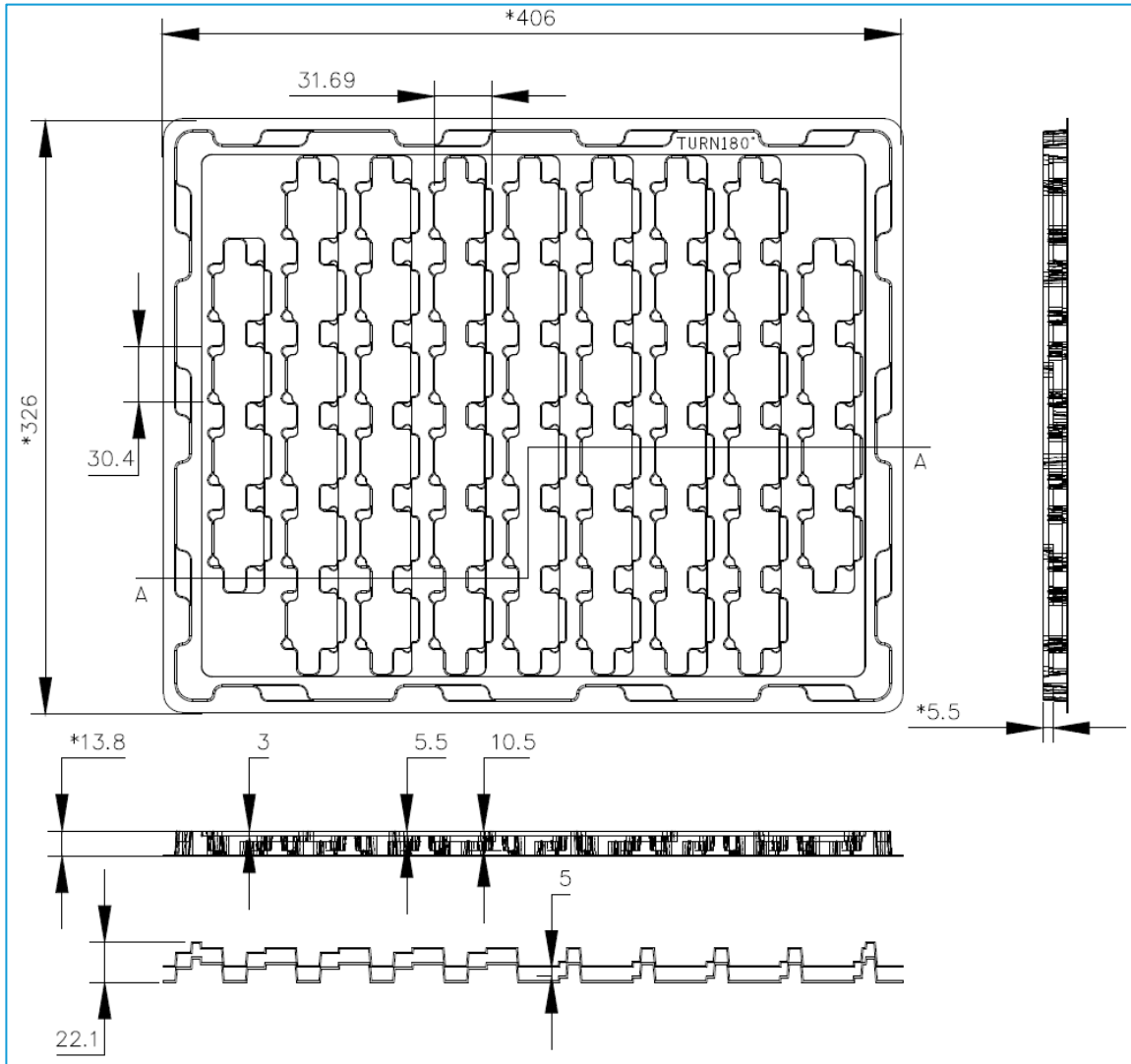


Figure 10: 453-00011 modem tray (mm) 50 per tray

## 6.5 Modem Labeling

### 6.5.1 453-00010

Initial Release (Rev 4)

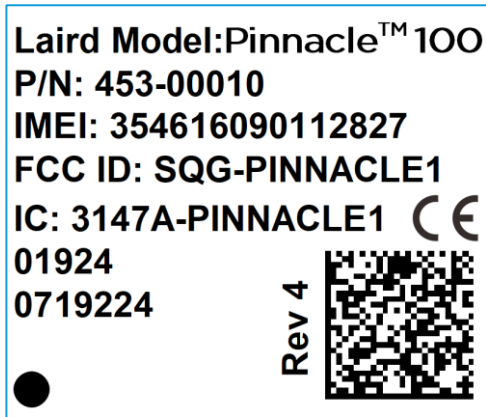


Figure 11: 453-00010 modem label

### 6.5.2 453-00011

Initial Release (Rev 4)

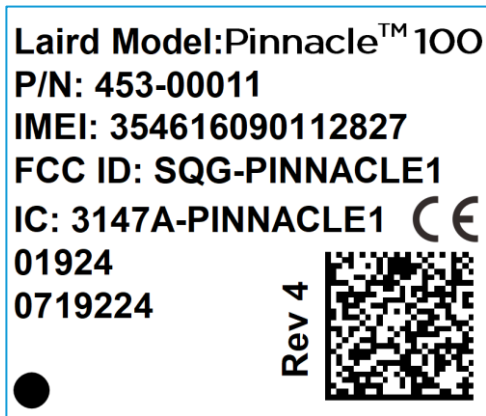


Figure 12: 453-00011 modem label

## 7 FCC AND IC REGULATORY STATEMENTS

**Table 25: External antennas for the Pinnacle™ 100**

| Model     | US/FCC        | Canada/IC       |
|-----------|---------------|-----------------|
| 453-00010 | SQG-PINNACLE1 | 3147A-PINNACLE1 |
| 453-00011 | SQG-PINNACLE1 | 3147A-PINNACLE1 |

The 453-00010 and the 453-00011 hold full modular approvals. The OEM must follow the regulatory guidelines and warnings listed below to inherit the modem approval.

**Table 26: Power Declaration for the Pinnacle™ 100**

| Part #    | Form Factor | BLE TX Pout | BLE Antenna | LTE TX Pout | LTE Antenna |
|-----------|-------------|-------------|-------------|-------------|-------------|
| 453-00010 | M2 Key E    | 6 dBm       | PCB Trace   | 23 dBm      | Bent Metal  |
| 453-00011 | M2 Key E    | 6 dBm       | U.FL        | 23 dBm      | U.FL        |

### 7.1 Antenna Information

The Pinnacle™ 100 family has been designed to operate with the antennas listed below with a maximum gain of 2 dBi. The required antenna impedance is 50 ohms.

**Table 27: Antenna table**

| Manufacturer | Model    | Laird Part Number | Type       | Connector | Peak Gain     |  |
|--------------|----------|-------------------|------------|-----------|---------------|--|
|              |          |                   |            |           | 2400-2500 MHz |  |
| Laird        | NanoBlue | MAF94045          | PCB Dipole | IPEX U.FL | 2 dBi         |  |
| LSR          | FlexPIFA | 001-0014          | Patch      | U.FL      | 2 dBi         |  |
| LSR          | Dipole   | 001-0001          |            | RP-SMA    | 2 dBi         |  |

| Manufacturer | Model                    | Laird Part Number | Type       | Connector | Peak Gain  |               |
|--------------|--------------------------|-------------------|------------|-----------|------------|---------------|
|              |                          |                   |            |           | 698-875MHz | 1710-2500 MHz |
| Laird        | Revie Flex               | EFF6925A3S-15MHF1 | PCB Dipole | IPEX U.FL | 1.9 dBi    | 3.7 dBi       |
| Laird        | Dipole Blade             | DBA6927C1-FSMAM   | Dipole     | SMA       | 0.5 dBi    | 2.2 dBi       |
| Laird        | Pinnacle™ 100 Bent Metal | 110-00665         | Bent Metal | N/A       | 1.3 dBi    | 2.6 dBi       |

**Note:** The OEM is free to choose another vendor's antenna of like type and equal or lesser gain as an antenna appearing in the table and still maintain compliance. Reference FCC Part 15.204(c)(4) for further information on this topic.

To reduce potential radio interference to other users, the antenna type and gain should be chosen so that the equivalent isotropic radiated power (EIRP) is not more than that permitted for successful communication.

### 7.2 Power Exposure Information

**Federal Communication Commission (FCC) Radiation Exposure Statement:**

This EUT complies with SAR for general population/uncontrolled exposure limits in FCC Part 1.1307, Part. 1310 and FCC KDB 447498 – RF Exposure Procedures and Equipment Authorization Policies for Mobile and Portable Devices.

This transceiver must not be co-located or operating in conjunction with any other antenna, transmitter, or external amplifiers. Further testing/evaluation of the end product will be required if the OEM's device violates any of these requirements.

The Pinnacle™ 100 is fully approved for mobile and portable applications.

## 7.3 OEM Responsibilities

---

**WARNING:** The OEM must ensure that FCC labelling requirements are met. This includes a clearly visible label on the outside of the OEM enclosure specifying the appropriate Laird Technology FCC identifier for this product.

Contains FCC ID: SQG-PINNACLE1

The following FCC part 15.19 statement must also be available on visible on outside of device:

The enclosed device complies with Part 15 of the FCC Rules. Operation is subject to the following two conditions: (1) This device may not cause harmful interference, and (2) This device must accept any interference received, including interference that may cause undesired operation

---

Label and text information should be in a size of type large enough to be readily legible, consistent with the dimensions of the equipment and the label. However, the type size for the text is not required to be larger than eight points.

---

**CAUTION:** The OEM should have their device which incorporates the Pinnacle™ 100 tested by a qualified test house to verify compliance with FCC Part 15 Subpart B limits for unintentional radiators.

**CAUTION:** Any changes or modifications not expressly approved by Laird Technology could void the user's authority to operate the equipment.

---

## 7.4 Federal Communication Commission Interference Statement

This equipment has been tested and found to comply with the limits for a Class B digital device, pursuant to Part 15 of the FCC Rules. These limits are designed to provide reasonable protection against harmful interference in a residential installation. This equipment generates, uses, and can radiate radio frequency energy and, if not installed and used in accordance with the instructions, may cause harmful interference to radio communications. However, there is no guarantee that interference will not occur in a particular installation. If this equipment does cause harmful interference to radio or television reception, which can be determined by turning the equipment off and on, the user is encouraged to try to correct the interference by one of the following measures:

- Reorient or relocate the receiving antenna.
- Increase the separation between the equipment and receiver.
- Connect the equipment into an outlet on a circuit different from that to which the receiver is connected.
- Consult the dealer or an experienced radio/TV technician for help.

**FCC Caution:** Any changes or modifications not expressly approved by the party responsible for compliance could void the user's authority to operate this equipment.

This device complies with Part 15 of the FCC Rules. Operation is subject to the following two conditions: (1) This device may not cause harmful interference, and (2) this device must accept any interference received, including interference that may cause undesired operation.

**FCC Caution:** Any changes or modifications not expressly approved by the party responsible for compliance could void the user's authority to operate this equipment.

### **IMPORTANT NOTE:**

#### **FCC Radiation Exposure Statement:**

This equipment complies with FCC radiation exposure limits set forth for an uncontrolled environment. This equipment should be installed and operated with a minimum distance of 20 centimeters between the radiator and your body.

This transmitter must not be co-located or operated in conjunction with any other antenna or transmitter.

#### **Integration Instructions for Host Product Manufacturers**

**Applicable FCC rules to module – FCC Part 24/27; FCC Part 15.247**

**Summary of the Specific Operational Use Conditions** – The module must be installed in a mobile device. This device is intended only for OEM integrators under the following conditions:

- The antenna must be installed such that 20 cm is maintained between the antenna and users, and
- The transmitter module may not be co-located with any other transmitter or antenna

As long as the two conditions above are met, further transmitter testing is not be required. However, the OEM integrator is still responsible for testing their end-product for any additional compliance requirements required with this module installed.

**IMPORTANT NOTE:** In the event that these conditions cannot be met (for example, certain laptop configurations or co-location with another transmitter), then the FCC authorization is no longer considered valid and the FCC ID cannot be used on the final product. In these circumstances, the OEM integrator is responsible for re-evaluating the end product (including the transmitter) and obtaining a separate FCC authorization. The OEM integrator must be aware not to provide information to the end user regarding how to install or remove this RF module in the user’s manual of the end product which integrates this module.

The end user manual shall include all required regulatory information/warning as show in this manual.

**Limited Module Procedures** – Not applicable

**Trace Antenna Designs** – Not applicable

**RF Exposure Considerations** – 20-centimeter separation distance and co-located issue shall be met as mentioned in *Summary of the Specific Operational Use Conditions*.

Product manufacturer shall provide the following text in the end-product manual:

*This equipment complies with FCC radiation exposure limits set forth for an uncontrolled environment. This equipment should be installed and operated with a minimum distance of 20 centimeters between the radiator and your body.*

| Manufacturer | Model                       | Antenna Type  | Gain                                   | Connector     | Remarks |
|--------------|-----------------------------|---------------|----------------------------------------|---------------|---------|
| LSR          | 001-0001                    | Dipole        | 2                                      | RP-SMA Female | For BT  |
| Laird        | NanoBlue-IP04<br>(MAF94045) | PCB Dipole    | 2                                      | IPEX U.FL     | For BT  |
| LSR          | 001-0014                    | Flex PIFA     | 2                                      | IPEX U.FL     | For BT  |
| Laird        | DBA6927C1                   | Dipole        | 2.2 @ 1710~1910MHz<br>0.5 @ 699~787MHz | U.FL          | For LTE |
| Laird        | EFF6925A3S                  | Flex          | 3.7 @ 1710~1910MHz<br>1.9 @ 699~787MHz | U.FL          | For LTE |
| Laird        | 110-00665                   | Stamped Metal | 2.6 @ 1710~1910MHz<br>1.3 @ 699~787MHz | NA            | For LTE |

**Label and Compliance Information**

Product manufacturers must provide a physical or e-label with the finished product that states the following:

*Contains FCC ID: SQG-PINNACLE1*

**Information on Test Modes and Additional Testing Requirements**

LTE – Simulator is required to link up and set the module to transmit at specific frequency, output power level under operation mode.

BT – Test tool is UwTerminal, version 7.94

**Additional Testing – Part 15 Subpart B Disclaimer**

The module is only FCC authorized for the specific rule parts listed on the grant, and that the host product manufacturer is responsible for compliance to any other FCC rules that apply to the host not covered by the modular transmitter grant of certification. The final host product still requires Part 15 Subpart B compliance testing with the modular transmitter installed.

## 7.5 Industry Canada Statement

*This device contains licence-exempt transmitter(s)/receiver(s) that comply with Innovation, Science and Economic Development Canada's licence-exempt RSS(s). Operation is subject to the following two conditions:*

- *This device may not cause interference*
- *(This device must accept any interference, including interference that may cause undesired operation of the device)*

*Cet appareil contient des émetteurs / récepteurs exempts de licence qui sont conformes au (x) RSS (s) exemptés de licence d'Innovation, Sciences et Développement économique Canada. L'opération est soumise aux deux conditions suivantes:*

- *Cet appareil ne doit pas causer d'interférences*
- *Cet appareil doit accepter toute interférence, y compris les interférences pouvant provoquer un fonctionnement indésirable de l'appareil*

### Radiation Exposure Statement

This equipment complies with Canada radiation exposure limits set forth for an uncontrolled environment. This equipment should be installed and operated with minimum distance 20cm between the radiator & your body.

### Déclaration d'exposition aux radiations:

Cet équipement est conforme Canada limites d'exposition aux radiations dans un environnement non contrôlé. Cet équipement doit être installé et utilisé à distance minimum de 20cm entre le radiateur et votre corps.

This device is intended only for OEM integrators under the following condition:

- The transmitter module may not be co-located with any other transmitter or antenna.

As long as 1 condition above are met, further transmitter test will not be required. However, the OEM integrator is still responsible for testing their end-product for any additional compliance requirements required with this module installed.

Cet appareil est conçu uniquement pour les intégrateurs OEM dans les conditions suivantes:

- Le module émetteur peut ne pas être coïmplanté avec un autre émetteur ou antenne.

Tant que les 1 condition ci-dessus sont remplies, des essais supplémentaires sur l'émetteur ne seront pas nécessaires. Toutefois, l'intégrateur OEM est toujours responsable des essais sur son produit final pour toutes exigences de conformité supplémentaires requis pour ce module installé.

### IMPORTANT NOTE:

In the event that these conditions can not be met (for example certain laptop configurations or co-location with another transmitter), then the Canada authorization is no longer considered valid and the IC ID can not be used on the final product. In these circumstances, the OEM integrator will be responsible for re-evaluating the end product (including the transmitter) and obtaining a separate Canada authorization.

### NOTE IMPORTANTE:

Dans le cas où ces conditions ne peuvent être satisfaites (par exemple pour certaines configurations d'ordinateur portable ou de certaines co-localisation avec un autre émetteur), l'autorisation du Canada n'est plus considéré comme valide et l'ID IC ne peut pas être utilisé sur le produit final. Dans ces circonstances, l'intégrateur OEM sera chargé de réévaluer le produit final (y compris l'émetteur) et l'obtention d'une autorisation distincte au Canada.

### End Product Labeling

The final end product must be labeled in a visible area with the following: "Contains IC: 3147A-PINNACLE1"

### Plaque signalétique du produit final

Le produit final doit être étiqueté dans un endroit visible avec l'inscription suivante: "Contient des IC: 3147A-PINNACLE1".

### Manual Information to the End User

The OEM integrator has to be aware not to provide information to the end user regarding how to install or remove this RF module in the user's manual of the end product which integrates this module.

The end user manual shall include all required regulatory information/warning as show in this manual.



### Manuel d'information à l'utilisateur final

L'intégrateur OEM doit être conscient de ne pas fournir des informations à l'utilisateur final quant à la façon d'installer ou de supprimer ce module RF dans le manuel de l'utilisateur du produit final qui intègre ce module. Le manuel de l'utilisateur final doit inclure toutes les informations réglementaires requises et avertissements comme indiqué dans ce manuel.

*This radio transmitter (IC: 3147A-PINNACLE1) has been approved by Industry Canada to operate with the antenna types listed below with the maximum permissible gain indicated. Antenna types not included in this list, having a gain greater than the maximum gain indicated for that type, are strictly prohibited for use with this device.*

*Le présent émetteur radio (IC: 3147A-PINNACLE1) a été approuvé par Industrie Canada pour fonctionner avec les types d'antenne énumérés ci-dessous et ayant un gain admissible maximal. Les types d'antenne non inclus dans cette liste, et dont le gain est supérieur au gain maximal indiqué, sont strictement interdits pour l'exploitation de l'émetteur.*

| Brand name | Model name               | Ant. type     | Ant. gain                              | Ant. connector | Remark  |
|------------|--------------------------|---------------|----------------------------------------|----------------|---------|
| LSR        | 001-0001                 | Dipole        | 2                                      | RP-SMA Female  | For BT  |
| Laird      | NanoBlue-IP04 (MAF94045) | PCB Dipole    | 2                                      | IPEX U.FL      | For BT  |
| LSR        | 001-0014                 | Flex PIFA     | 2                                      | IPEX U.FL      | For BT  |
| Laird      | DBA6927C1                | Dipole        | 2.2 @ 1710~1910MHz<br>0.5 @ 699~787MHz | U.FL           | For LTE |
| Laird      | EFF6925A3S               | Flex          | 3.7 @ 1710~1910MHz<br>1.9 @ 699~787MHz | U.FL           | For LTE |
| Laird      | 110-00665                | Stamped Metal | 2.6 @ 1710~1910MHz<br>1.3 @ 699~787MHz | NA             | For LTE |

## 8 CE REGULATORY

The 453-00010/453-00011 have been tested for compliance with relevant standards for the EU market. The 453-00011 modem was tested with a 2 dBi antenna. The OEM can operate the 453-00011 modem with any other type of antenna but must ensure that the gain does not exceed 2 dBi to maintain the Laird approval.

The OEM should consult with a qualified test house before entering their device into an EU member country to make sure all regulatory requirements have been met for their complete device.

Reference the Declaration of Conformities listed below for a full list of the standards that the modems were tested to. Test reports are available upon request.

### 8.1 Antenna Information

The antennas listed below were tested for use with the Pinnacle™ 100. For CE mark countries, the OEM is free to use any manufacturer's antenna and type of antenna if the gain is less than or equal to the highest gain approved for use (2dBi) Contact a Laird representative for more information regarding adding antennas.

| Manufacturer | Model    | Laird Part Number | Type       | Connector | Peak Gain     |
|--------------|----------|-------------------|------------|-----------|---------------|
|              |          |                   |            |           | 2400-2500 MHz |
| Laird        | NanoBlue | MAF94045          | PCB Dipole | IPEX U.FL | 2 dBi         |
| Laird        | FlexPIFA | 001-0014          | Patch      | U.FL      | 2 dBi         |
| Laird        | Dipole   | 001-0001          |            | RP-SMA    | 2 dBi         |

| Manufacturer | Model | Laird Part Number | Type | Connector | Peak Gain     |  |
|--------------|-------|-------------------|------|-----------|---------------|--|
|              |       |                   |      |           | 2400-2500 MHz |  |

Laird      NFC      0600-00061      NFC      N/A

| Manufacturer | Model | Laird Part Number | Type | Connector | Peak Gain  |               |
|--------------|-------|-------------------|------|-----------|------------|---------------|
|              |       |                   |      |           | 698-875MHz | 1710-2500 MHz |

Laird      Revie Flex      EFF6925A3S-15MHF1      PCB Dipole      IPEX U.FL      1.9 dBi      3.7 dBi

Laird      Dipole Blade      DBA6927C1-FSMAM      Dipole      SMA      0.5 dBi      2.2 dBi

Laird      Pinnacle™ 100 Bent Metal      110-00665      Bent Metal      N/A      1.3 dBi      2.6 dBi

**Note:** The Pinnacle™ 100 modem internal BLE chipset IC pins are rated 2 kV (ESD HBM). ESD can find its way through the external JTAG connector (if used on the customer's design), if discharge is applied directly. Customer should ensure adequate protection against ESD on their end product design (using the Pinnacle™ 100 modem) to meet relevant ESD standard (for CE, this is EN301-489).

## 8.2 EU Declarations of Conformity

|                            |                                              |
|----------------------------|----------------------------------------------|
| <b>Manufacturer</b>        | Laird                                        |
| <b>Products</b>            | 453-00010, 453-00011                         |
| <b>Product Description</b> |                                              |
| <b>EU Directives</b>       | 2014/53/EU – Radio Equipment Directive (RED) |

### Reference standards used for presumption of conformity:

| Article Number | Requirement                                                         | Reference standard(s)                                 |
|----------------|---------------------------------------------------------------------|-------------------------------------------------------|
| 3.1a           | Low voltage equipment safety                                        | EN 60950-1:2006 +A11:2009 +A1:2010 +A12:2011 +A2:2013 |
|                | RF Exposure                                                         | EN 62311:2008                                         |
|                |                                                                     | EN 50385:2017<br>EN 50665:2017                        |
| 3.1b           | Protection requirements –<br>Electromagnetic compatibility          | EN 301 489-1 v2.2.0 (Draft)                           |
|                |                                                                     | EN 301 489-3 v2.1.1 (Final Draft)                     |
|                |                                                                     | EN 301 489-17 v3.2.0 (Draft)                          |
|                |                                                                     | EN 301 489-52 v1.1.0 (Draft)                          |
| 3.2            | Means of the efficient use of the radio<br>frequency spectrum (ERM) | EN 300 328 v2.2.2                                     |
|                |                                                                     | EN 300 330 v2.1.1                                     |
|                |                                                                     | EN 908-1 v11.1.1                                      |
|                |                                                                     | EN 908-13 v11.1.2                                     |

### Declaration:

We, Laird, declare under our sole responsibility that the essential radio test suites have been carried out and that the above product to which this declaration relates is in conformity with all the applicable essential requirements of Article 3 of the EU Radio Equipment Directive 2014/53/EU, when used for its intended purpose.

The minimum distance between the user and/or any bystander and the radiating structure of the transmitter is 20 cm.

Place of Issue: Laird  
W66 N220 Commerce Court, Cedarburg, WI 53012 USA  
tel: +1-262-375-4400 fax: +1-262-364-2649

Date of Issue: **TBD**

Name of Authorized Person: **TBD**

Signature of Authorized Person: **TBD**

## Maximum Power Information

|               | Frequency     | Maximum EIRP Power (dBm)      |
|---------------|---------------|-------------------------------|
| <b>BT LE</b>  | 2402-2480 MHz | 10                            |
|               | LTE Band      | Maximum Conducted Power (dBm) |
| <b>Cat-M1</b> | LTE B1        | 22                            |
|               | LTE B3        | 23                            |

## Maximum Power Information

|               |         |      |
|---------------|---------|------|
|               | LTE B8  | 22.5 |
|               | LTE B20 | 23   |
|               | LTE B28 | 23.5 |
| <b>NB-IoT</b> | LTE B1  | 22   |
|               | LTE B3  | 23   |
|               | LTE B8  | 22.5 |
|               | LTE B20 | 23   |
|               | LTE B28 | 23   |

SW version: BHL78xx.3.7.2.3

The minimum distance between the user and/or any bystander and the radiating structure of the transmitter is 20 centimeters.

## 9 ORDERING INFORMATION

**Table 28: Order Info**

| Part Number  | Product Description                                       |
|--------------|-----------------------------------------------------------|
| 453-00010T   | LTE/Bluetooth v5/NFC modem – Integrated antenna LTE & BLE |
| 453-00011T   | LTE/Bluetooth v5/NFC modem – External antenna             |
| 453-00010-K1 | Development Kit for 453-00010 modem – Integrated antenna  |
| 453-00011-K1 | Development Kit for 453-00011 modem – External antenna    |

## 10 BLUETOOTH SIG QUALIFICATION

### 10.1 Overview

The Pinnacle™ 100 modem is listed on the Bluetooth SIG website as a qualified End Product.

**Table 29: BLE SIG**

| Design Name   | Owner | Declaration ID | QD ID | Link to listing on the SIG website |
|---------------|-------|----------------|-------|------------------------------------|
| Pinnacle™ 100 | Laird | TODO1          | TODO2 | TODO3                              |
| Pinnacle™ 100 | Laird | TODO4          | TODO5 | TODO6                              |

It is a mandatory requirement of the Bluetooth Special Interest Group (SIG) that every product implementing Bluetooth technology has a Declaration ID. Every Bluetooth design is required to go through the qualification process, even when referencing a Bluetooth Design that already has its own Declaration ID. The Qualification Process requires each company to registered as a member of the Bluetooth SIG – [www.bluetooth.org](http://www.bluetooth.org)

The following link provides a link to the Bluetooth Registration page: <https://www.bluetooth.org/login/register/>

For each Bluetooth Design, it is necessary to purchase a Declaration ID. This can be done before starting the new qualification, either through invoicing or credit card payment. The fees for the Declaration ID will depend on your membership status, please refer to the following webpage:

<https://www.bluetooth.org/en-us/test-qualification/qualification-overview/fees>

For a detailed procedure of how to obtain a new Declaration ID for your design, please refer to the following SIG document:

[https://www.bluetooth.org/DocMan/handlers/DownloadDoc.ashx?doc\\_id=283698&vld=317486](https://www.bluetooth.org/DocMan/handlers/DownloadDoc.ashx?doc_id=283698&vld=317486)

## 10.2 Qualification Steps When Referencing a Laird End Product Design

To start a listing, go to: [https://www.bluetooth.org/tpg/QLI\\_SDoc.cfm](https://www.bluetooth.org/tpg/QLI_SDoc.cfm)

In step 1, select the option, **Reference a Qualified Design** with the link above and enter **TODO1** or **TODO4** in the End Product table entry. You can then select your pre-paid Declaration ID from the drop-down menu or go to the Purchase Declaration ID page, (please note that unless the Declaration ID is pre-paid or purchased with a credit card, it will not be possible to proceed until the SIG invoice is paid.

Once all the relevant sections of step 1 are finished, complete steps 2, 3, and 4 as described in the help document. Your new Design will be listed on the SIG website and you can print your Certificate and Declaration of Conformity.

For further information, please refer to the following training material:

<https://www.bluetooth.org/en-us/test-qualification/qualification-overview/listing-process-updates>

## 10.3 Qualification Steps When Deviating from a Laird End Product Design

If you wish to deviate from the standard End Product design listed under **TODO1** or **TODO4**, the qualification process follows the Traditional Project route, creating a new design. When creating a new design, it is necessary to complete the full qualification listing process and also maintain a compliance folder for the new design.

The Pinnacle™ 100 design under **TODO1** incorporates the following components:

| Listing reference       | Design Name            | Core Spec Version |
|-------------------------|------------------------|-------------------|
| <a href="#">D038622</a> | S140 Host v6.0.0       | 5.0               |
| <a href="#">D038623</a> | S140 Link layer v6.0.0 | 5.0               |

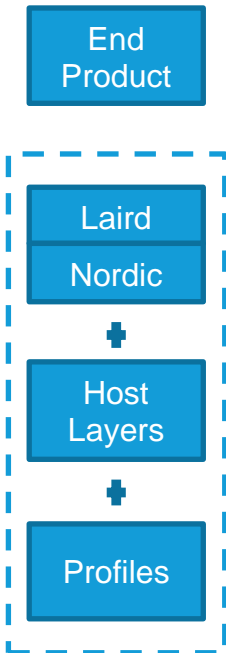
The Pinnacle™ 100 design under **TODO4** incorporates the following components:

| Listing reference       | Design Name             | Core Spec Version |
|-------------------------|-------------------------|-------------------|
| <a href="#">D039780</a> | S140 Host v6.1.0        | 5.0               |
| <a href="#">D040756</a> | S140 Link layer v6.1.0x | 5.0               |

In the future, Nordic may list updated versions of these components and it is possible to use them in your new design. Please check with Nordic to make sure these software components are compatible with the nRF52 hardware XXXXX

If your design is based on un-modified Pinnacle™ 100 hardware it is possible use the following process;

1. Reference the existing RF-PHY test report from the Pinnacle™ 100 listing.
2. Combine the relevant Nordic Link Layer (LL) – check QDID with Nordic.
3. Combine in a Host Component (covering L2CAP, GAP, ATT, GATT, SM) - check QDID with Nordic.
4. Test any standard SIG profiles that are supported in the design (customs profiles are exempt).



**Figure 13: Scope of the qualification for an end product design**

The first step is to generate a project on the TPG (Test Plan Generator) system. This determines which test cases apply to demonstrate compliance with the Bluetooth Test Specifications. If you are combining pre-tested and qualified components in your design and they are within their three-year listing period, you are not required to re-test those layers covered by these components.

If the design incorporates any standard SIG LE profiles (such as Heart Rate Profile), it is necessary to test these profiles using PTS or other tools where permitted; the results are added to the compliance folder.

You are required to upload your test declaration and test reports (where applicable) and then complete the final listing steps on the SIG website. Remember to purchase your Declaration ID before you start the qualification process, as it's impossible to complete the listing without it.

## 11 PTCRB AND GFC (PENDING)

## 12 CARRIER CERTIFICATION

### 12.1 Verizon (Pending)

### 12.2 AT&T (Pending)

### 12.3 Vodafone (Pending)