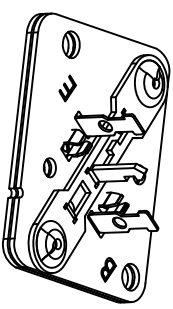
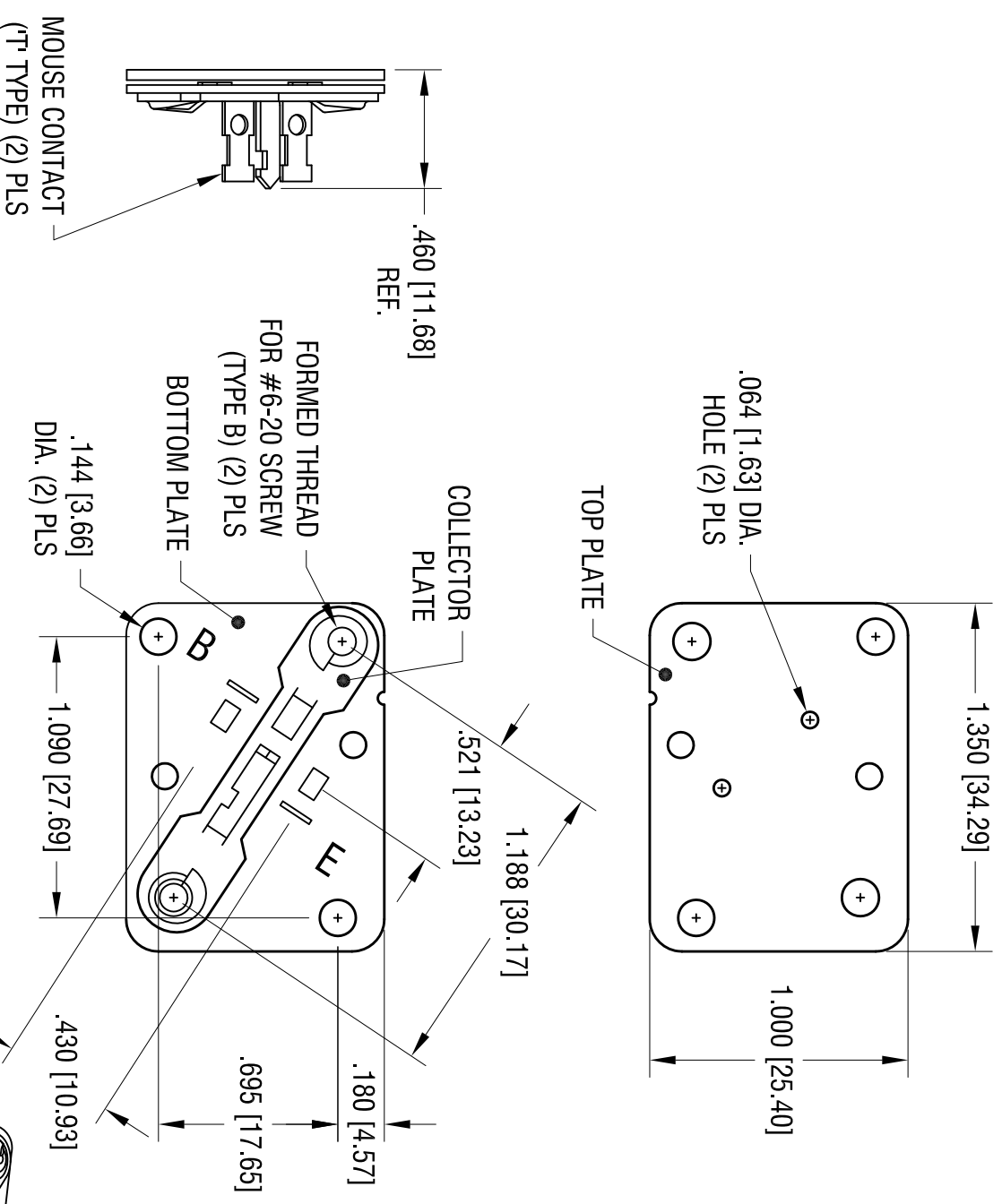


DATE	DESCRIPTION	REV.
3.14.07	ECN 07-014 REDRAWN	B
1.30.19	CHANGE AS PER ECN 19-016	C



ACTUAL SIZE

- NOTES:
- TOP PLATE:
MAT'L - .032 [0.81] THK PHENOLIC
 - BOTTOM PLATE:
MAT'L - .032 [0.81] THK PHENOLIC
 - COLLECTOR PLATE:
MAT'L - .032 [0.81] THK STEEL
 - FINISH - TIN PLATE
 - MOUSE CONTACT (T* TYPE):
MAT'L - .013 [0.33] THK BRASS
 - FINISH - TIN PLATE

KEYSTONE ELECTRONICS CORP.

www.keystone.com • NEW HYDE PARK, NY 11040 • Tel (516) 328-7500

PART NAME

TO-3 POWER TRANSISTOR SOCKET

MATERIAL

AS NOTED

FINISH

AS NOTED

TOLERANCES	INCH	[MM]	CODE	DWG. NO.
DECIMAL	± .005	[± 0.13]	C	4606
ANGULAR	± 1°			

THIS DOCUMENT IS THE PROPERTY OF KEYSTONE ELECTRONICS CORP. AND SHALL NOT BE REPRODUCED, DISTRIBUTED OR USED AS A BASIS FOR MANUFACTURE WITHOUT PRIOR WRITTEN PERMISSION FROM KEYSTONE ELECTRONICS CORP.

DRN BY	DATE
BOONE	10.18.82
APP'D	SCALE
LN	1.5X