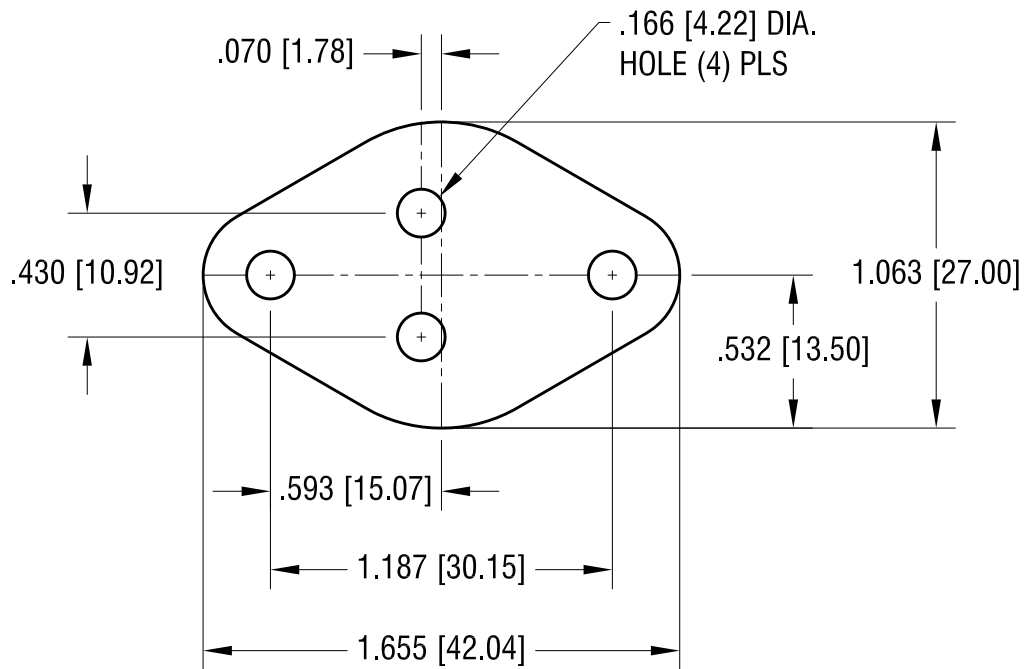
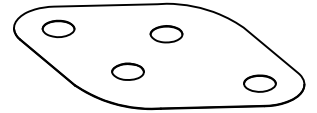


THIS DOCUMENT IS THE PROPERTY OF
KEYSTONE ELECTRONICS CORP. AND
SHALL NOT BE REPRODUCED, DISTRIBUTED
OR USED AS A BASIS FOR MANUFACTURE
WITHOUT PRIOR WRITTEN PERMISSION
FROM KEYSTONE ELECTRONICS CORP.

ACTUAL SIZE



KEYSTONE ELECTRONICS CORP.

www.keyelco.com • NEW HYDE PARK NY 11040 • Tel (516)328-7500

PART NAME		INSULATOR	
MATERIAL		.003 [0.70] TH'K MICA	
FINISH NONE	DRN BY	BOONE	DATE 3.04.03
	APP'D	LN	SCALE 1.5X
TOLERANCES	INCH [MM]	CODE	DWG NO.
DECIMAL	± .005 [± 0.13]	C	4653
ANGULAR	± 1° UNLESS OTHERWISE SPECIFIED		

DATE	DESCRIPTION	REV.
------	-------------	------