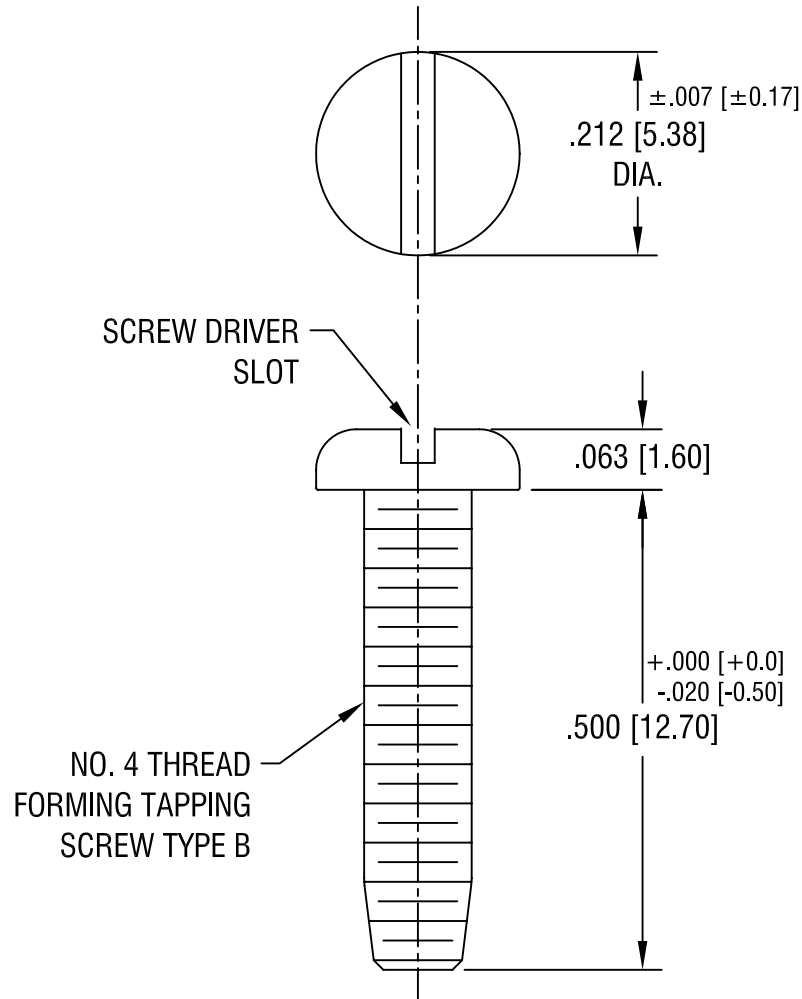


THIS DOCUMENT IS THE PROPERTY OF
KEYSTONE ELECTRONICS CORP. AND
SHALL NOT BE REPRODUCED, DISTRIBUTED
OR USED AS A BASIS FOR MANUFACTURE
WITHOUT PRIOR WRITTEN PERMISSION
FROM KEYSTONE ELECTRONICS CORP.



KEYSTONE ELECTRONICS CORP.

ASTORIA, N.Y. 11105-2017

PART NAME

NO. 4 PAN HEAD SCREW

MATERIAL

STEEL

FINISH

BRIGHT ZINC

DRN BY

BOONE

DATE

12.30.93

APPD

LN

SCALE

5X

TOLERANCES

INCH [MM]

CODE

DWG NO.

DECIMAL ± .005 [± 0.15]

C

ANGULAR ± 1°
UNLESS OTHERWISE SPECIFIED

4697

11.4.03 CHANGE AS PER ECN 03-080

A

DATE

DESCRIPTION

REV.