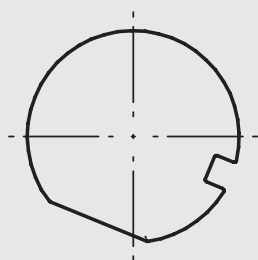


Receptacle 47.121.U303.80 for communication and sensor units with attached flat seal for standardised metal sheet cut-out



**Electromechanical interface for outdoor luminaires according to Z Zhaga Book 18 to accommodate communication and sensor units**

Receptacle 47.121.U303.80 with assembled flat seal for standardised metal sheet cut-out  
4 pole

**Area of application:**

Street and area lighting (parking areas and footpaths)  
outdoor lighting  
wall lights

- IP-compliant connector and cap
- Compact design for flexible mounting position in luminaire housing
- Approved and certified according to VDE DIN EN 61984

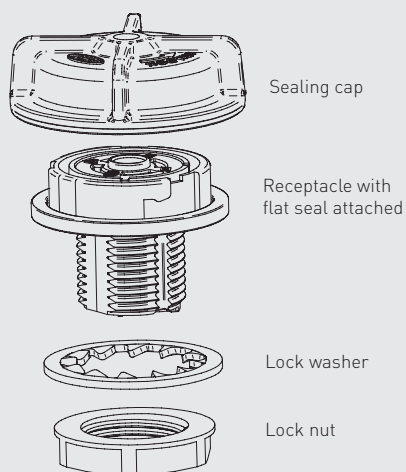
**Modular system**

**Sealing cap: 47.121.-303.xx**  
Material: PBT

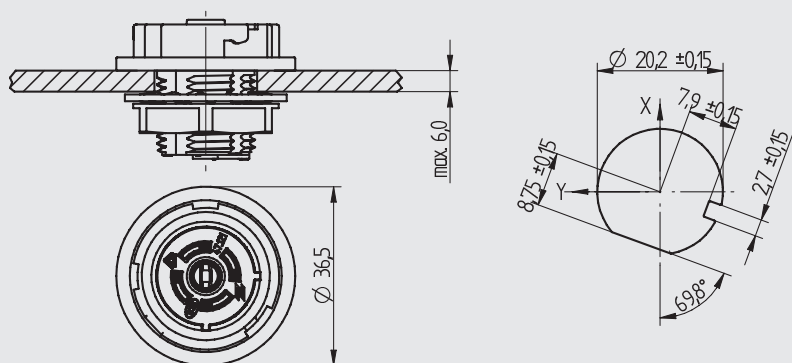
**Receptacle with attached flat seal: 47.121.U303.80**  
4 pole  
Material: Contacts: CuSn  
Housing: PBT / PC  
**Flat seal:** Material: MVQ (Silicone)

**Lock washer M20: 47.121.-702.14**  
Material: steel zinc plated

**Lock nut M20x1.5 mm: 47.121.-305.80**  
Material: PA



**Assembly dimensions and cut-out**

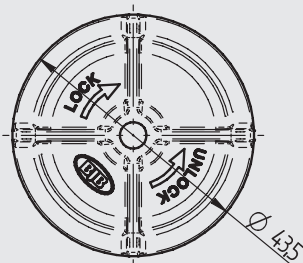
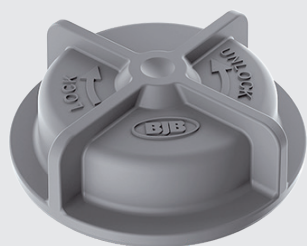


Temperature data	
Temperature range	-40 °C up to 100°C
Mechanical data	
Protection class	IP 66
Thread	M20 x 1.5 mm
Thread length	18.5 mm
IK-Impact strength grade	IK09
Height above luminaire	10 mm
Luminaire housing thickness	max. 6 mm
Tightening torque of the locknut	1.8 - 2.4 Nm
Electrical data	
Rated current	2 A
Rated voltage	24 V DC
Flexible tinned wire	0.5 - 1.5 mm <sup>2</sup>
Solid wire	0.5 - 1.5 mm <sup>2</sup>
Strip length	8 - 10.5 mm
Insulation diameter	max. 3 mm
Lead	16 - 20 AWG

## LED - Lighting and connection technology

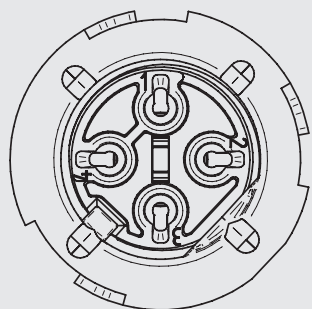
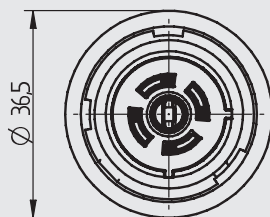
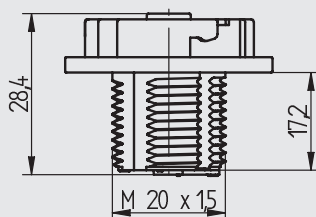
47.121

Receptacle 47.121.U303.80 for communication and sensor units with attached flat seal for standardised metal sheet cut-out



pkg.	wt.	part no.
200	7.8 g	47.121.-303.80 black
200	7.8 g	47.121.-303.90 dark gray
200	7.8 g	47.121.-303.93 anthracite

**Sealing cap**  
Material: PBT



pkg.	wt.	part no.
200	9.6 g	47.121.U303.80

**Receptacle with attached flat seal**  
**4 pole**

Material: Contacts: CuSn  
Housing: PBT / PC

Contact rating: 2 A, 24 V

Hot pluggable

Wires: for rigid and flexible, tinned wire ends 0.5 - 1.5 mm<sup>2</sup>, 16 - 20 AWG

Strip length: 8 - 10.5 mm

Insulation diameter: max. 3 mm

**Flat seal:** Material: MVQ (Silicone)

Marking wire entry	Function
1	+24 V Power supply
2	Negative pole for [DALI] protocol Ground for +24 V power supply (contact 1) Ground for General Digital I/O (contact 4)
3	Positive pole for [DALI] protokol
4	General Digital I/O (> 7V)

