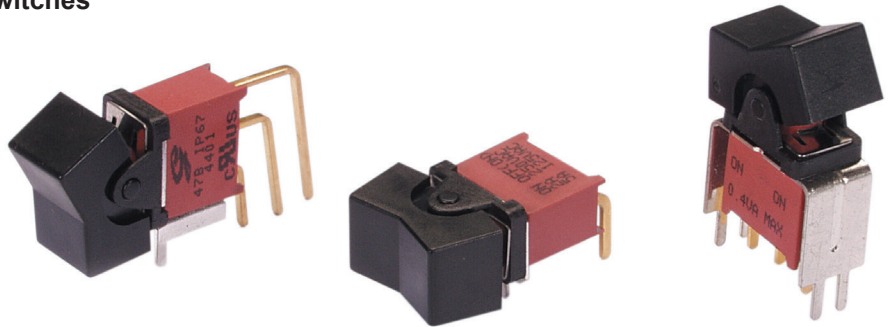


SERIES 47B
Sealed Miniature Rocker and Paddle Switches

FEATURES

- Save Space and Weight
- SPDT, DPDT and 3PDT Circuitry
- Choice of Actuators and Terminations
- Sealed per IP-67



MODELS in inches (and millimeters)

MODEL NO.	SWITCH POSITION		
WSP1	ON	NONE	ON
WSP2	ON	NONE	(ON)
WSP3	ON	OFF	ON
WSP4	(ON)	OFF	(ON)
WSP5	ON	OFF	(ON)
TERM. COMM.	2-3	OPEN	2-1

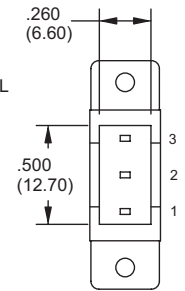
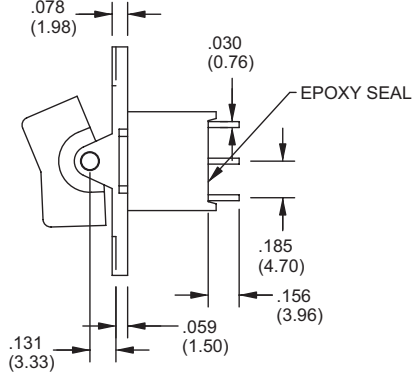
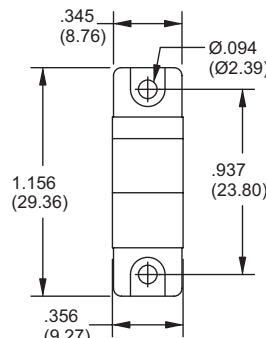
()=MOMENTARY

02COMM.

SCHEMATIC



SPDT



MODEL NO.	SWITCH POSITION		
WDP1	ON	NONE	ON
WDP2	ON	NONE	(ON)
WDP3	ON	OFF	ON
WDP4	(ON)	OFF	(ON)
WDP5	ON	OFF	(ON)
TERM. COMM.	2-3,5-6	OPEN	2-1,5-4

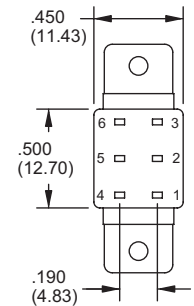
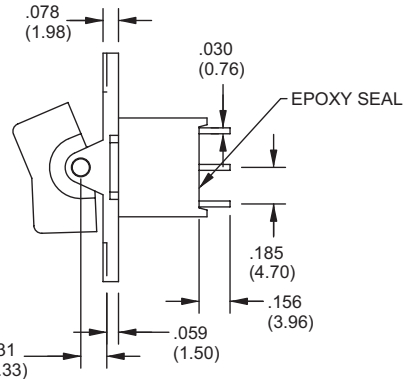
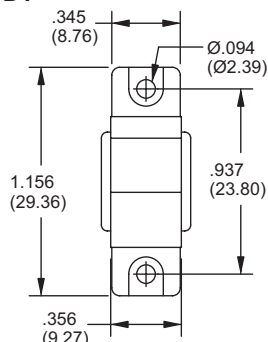
()=MOMENTARY

02COMM. 05COMM.

SCHEMATIC



DPDT



MODEL NO.	SWITCH POSITION		
W3P1	ON	NONE	ON
W3P2	ON	NONE	(ON)
W3P3	ON	OFF	ON
W3P4	(ON)	OFF	(ON)
W3P5	ON	OFF	(ON)
TERM. COMM.	2-3,5-6	OPEN	2-1,5-4

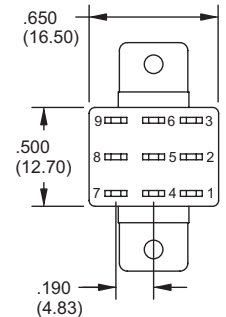
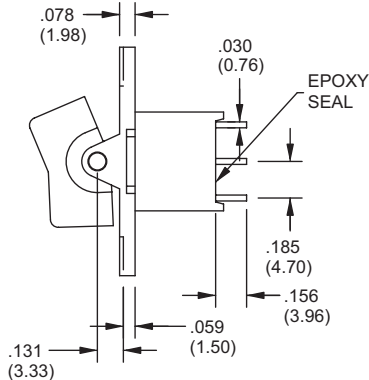
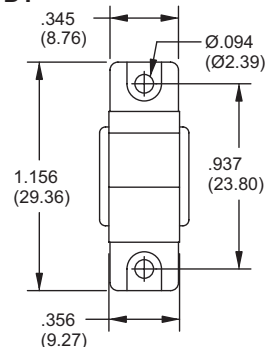
()=MOMENTARY

02COMM. 05COMM. 08COMM.

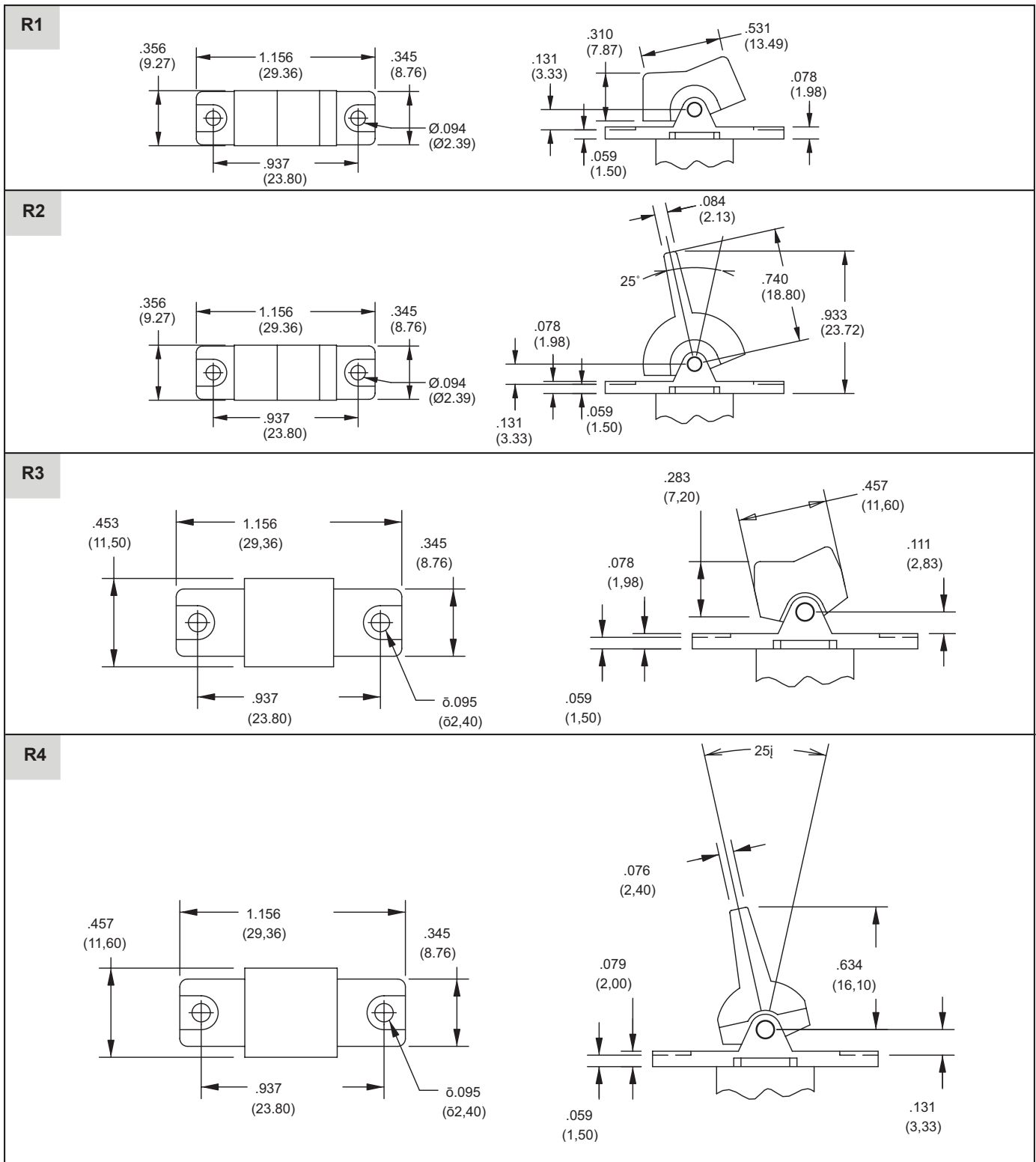
SCHEMATIC



3PDT



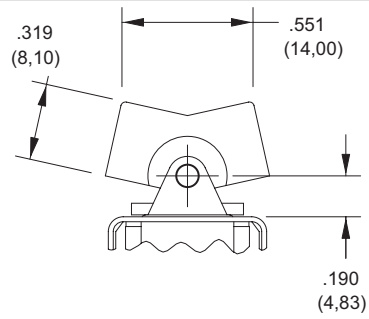
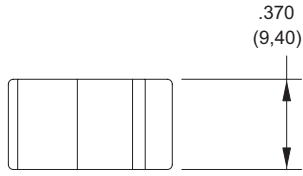
ACTUATOR OPTIONS in inches (and millimeters)



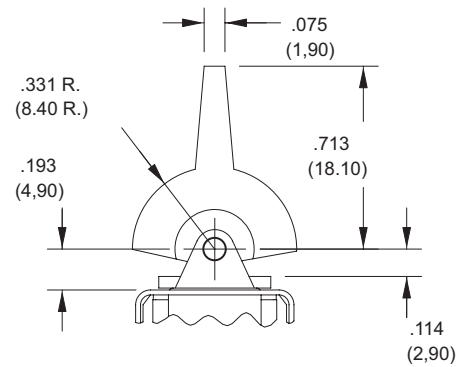
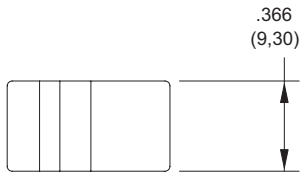
Rocker and Paddle Switches

ACTUATOR OPTIONS in inches (and millimeters)

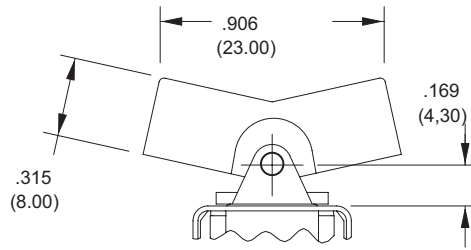
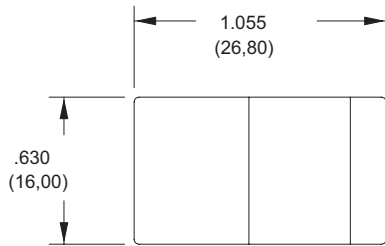
J1



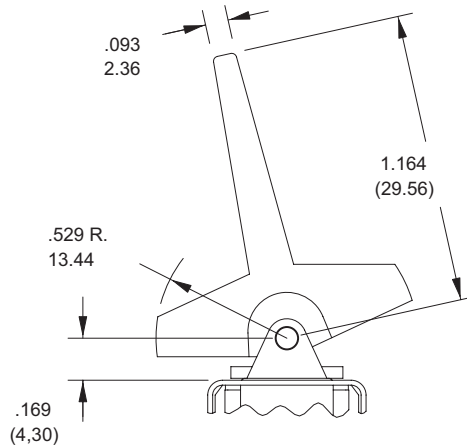
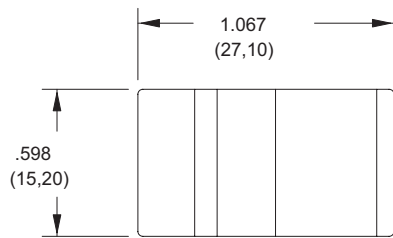
J2



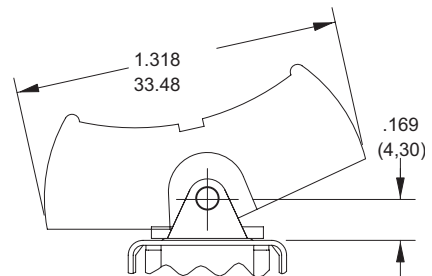
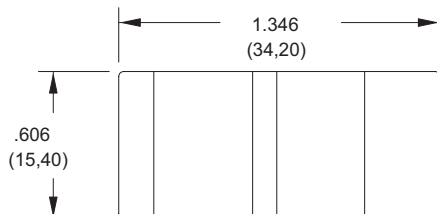
J3



J4



J5



TERMINATION OPTIONS in inches (and millimeters)

<p>M1</p>	<p>M2</p>	<p>M3</p>	<p>WX</p> <table border="1" style="float: right;"> <thead> <tr> <th>OPTION CODE</th> <th>DIM."A"</th> </tr> </thead> <tbody> <tr> <td>W1</td> <td>.750(19.05)</td> </tr> <tr> <td>W2</td> <td>.964(24.48)</td> </tr> <tr> <td>W3</td> <td>.425(10.80)</td> </tr> <tr> <td>W4</td> <td>1.062(26.97)</td> </tr> </tbody> </table>	OPTION CODE	DIM."A"	W1	.750(19.05)	W2	.964(24.48)	W3	.425(10.80)	W4	1.062(26.97)
OPTION CODE	DIM."A"												
W1	.750(19.05)												
W2	.964(24.48)												
W3	.425(10.80)												
W4	1.062(26.97)												

M6 Right Angle P.C. Mount, Horizontal Actuation

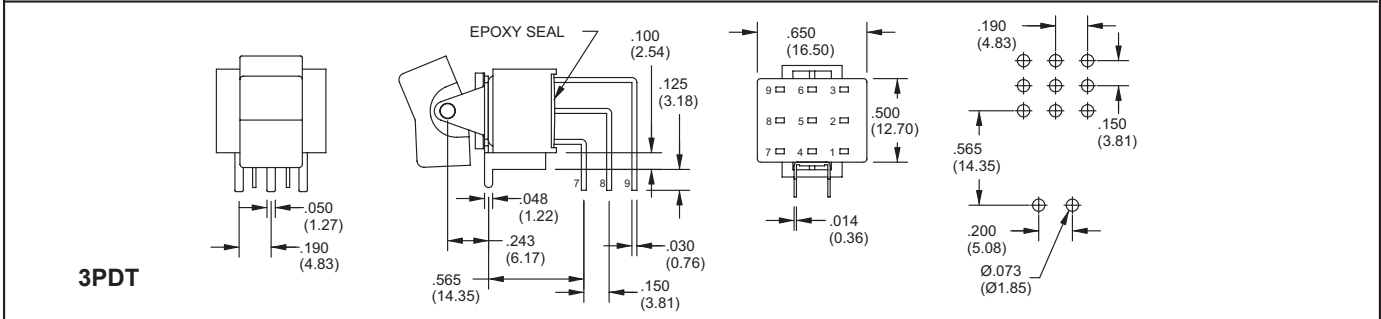
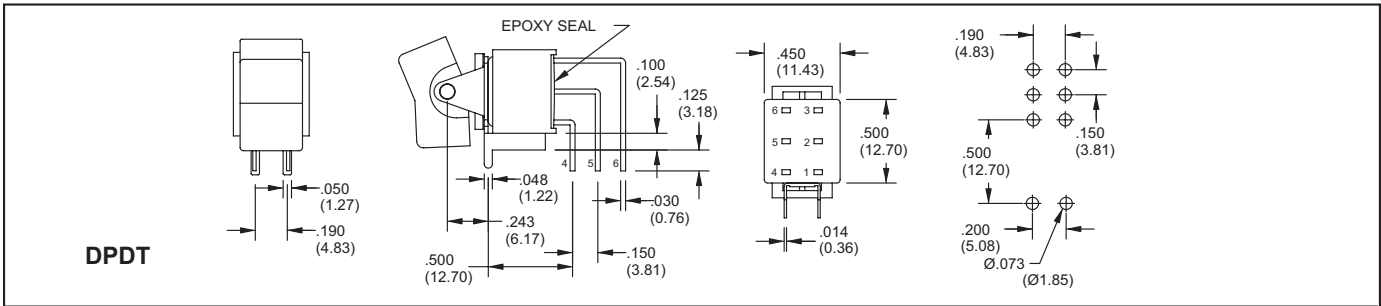
<p>SPDT</p>		
<p>DPDT</p>		
<p>3PDT</p>		

M7 Right Angle P.C. Mount, Vertical Actuation

<p>SPDT</p>		
--------------------	--	--

Rocker and Paddle Switches

TERMINATION OPTIONS in inches (and millimeters)



V2-V3 Vertical Bracket P.C. Mount

