

4803, Socket, PCB terminals, insulated, 6.3 mm, 2-pole, straight, UK-Connector



### Description

- PCB Mounting :  
Screw-on mounting , from rear-side
- Data and Signal transfer
- Data and Signal Connectors 2-pole , insulated , straight
- Reinforced gold plating for increased insertions

### References

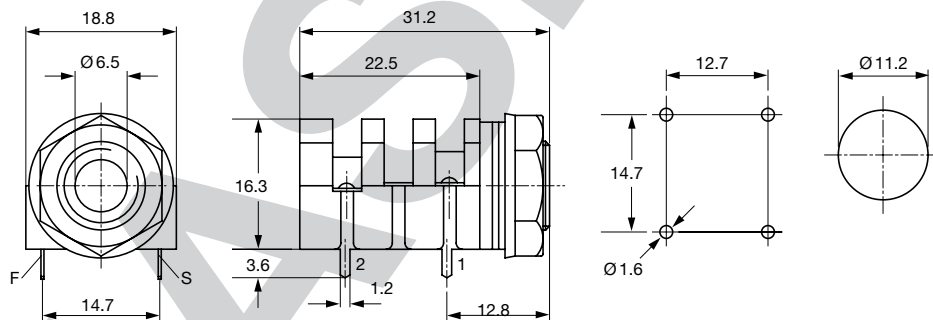
Alternative: Housing shielded [4803.2220](#)  
Last order date: 30.06.2016

### Technical Data

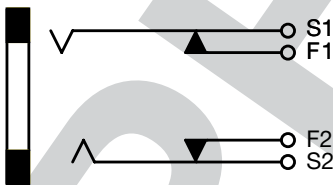
|                       |                     |
|-----------------------|---------------------|
| Diameter              | 6.3 mm              |
| Number of Poles       | 2-pole              |
| Ratings DC            | 2A / 12VDC          |
| Ratings AC            | 2A / 12VAC          |
| Dielectric Strength   | 1000VDC             |
| Insulation Resistance | > 10000 MΩ @ 500VDC |

|                           |  |
|---------------------------|--|
| Allowable Operation Temp. | -20 °C to 70 °C                                |
| Terminal                  | PCB terminals                                  |
| Mounting                  | Screw-on mounting<br>wall thickness max. 4.0mm |
| Housings                  | insulated                                      |
| Style                     | straight                                       |
| Lifetime                  | 10000 Insertions                               |

### Dimensions



### Diagrams



**All Variants**

| Product group                    | Diameter [mm] | Number of Poles | Terminal      | Order Number |
|----------------------------------|---------------|-----------------|---------------|--------------|
| Data and Signal Plug/<br>Sockets | 6.3           | 2-pole          | PCB terminals | 4803.2230    |

Availability for all products can be searched real-time:<http://www.schurter.com/Stock-Check/Stock-Check-SCHURTER>

|                       |         |
|-----------------------|---------|
| <b>Packaging unit</b> | 100 Pcs |
|-----------------------|---------|

PHASE-OUT