

FLAT MOUNTING INFORMATION

REVISIONS		DATE	APPROVED
I	REVISED PER ECN# T-6235	12/14	J
J	REVISE PER DCR# T-28702	2/21/2001	M.HIGGY

SOCKET CONTACT AND TOOLING INFORMATION

TABLE I			
CONTACT TYPE	MILITARY PART NO.	WIRE STRIP LENGTH	TERMINATION TOOL
SHIELDED CONTACT FOR COAX CABLE D-602-0095 OR D-602-0107		SEE DRAWING D-602-0095 OR D-602-0107	SEE DRAWING D-602-0095 OR D-602-0107
CONTACT FOR TWISTED PAIR D-602-0105		SEE DRAWING D-602-0105	SEE DRAWING D-602-0105
POWER CONTACT SIZE 12	M39029/5-12-12	1/4" TO 5/16"	M22520/1-01 POSITIONER M22520/1-02

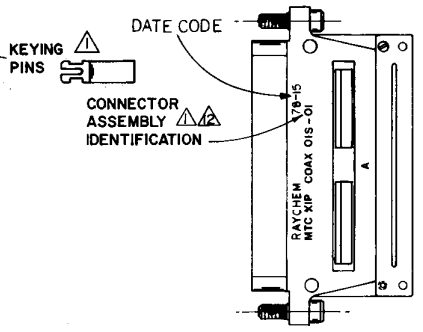
TABLE II KEYING CODE CHART

PART NUMBER	XX	POSITION OF KEYS
MTC XIP-COAX OIS-01	AA	<input type="checkbox"/>
	AB	<input type="checkbox"/>
	AC	<input type="checkbox"/>
	AD	<input type="checkbox"/>
	BA	<input type="checkbox"/>
	BB	<input type="checkbox"/>
	BC	<input type="checkbox"/>
	BD	<input type="checkbox"/>
	CA	<input type="checkbox"/>
	CB	<input type="checkbox"/>
	CC	<input type="checkbox"/>
	CD	<input type="checkbox"/>
	DA	<input type="checkbox"/>
	DB	<input type="checkbox"/>
	DC	<input type="checkbox"/>
	DD	<input type="checkbox"/>

- NOTES:**
- KEYING CODE DOES NOT FORM A PART OF RAYCHEM PART NUMBER SYSTEM AND SHOULD BE OMITTED WHEN ORDERING. KEYING PINS SUPPLIED UN-INSTALLED. SEE TABLE II FOR KEYING POSITIONS
 - COMPLETE CONNECTORS AND ACCESSORIES ARE INDIVIDUALLY BAGGED AND LABELED.
 - REAR GROMMET INSERT WILL SEAL ON SMOOTH INSULATION FROM .097" TO .158" O.D.
 - CONNECTOR DESIGNED FOR USE WITH POWER AND SHIELDED CONTACTS PER TABLE I.
 - INSERTS ARE PERMANENTLY INSTALLED, CONTACTS MAY BE INSERTED AND REMOVED USING TOOL PER NOTE 8.
 - ALL UNUSED CAVITIES TO BE SEALED USING SEALING PLUG NUMBER M83723-28-12.
 - ALL CONTACTS SIZE 12 ARE INSERTED AND REMOVED USING TOOL NUMBER M83723-31-12.
 - CONNECTOR SUPPLIED WITH A SHIPPING DUST CAP OVER ENGAGING END.
 - CONNECTOR PLUG PART NO. MTCXIP-COAX OIS-01- AA . AA = KEYING CODE
 - MATES WITH RECEPTACLE CONNECTOR NO. MTCXIR-COAX OIP-01.
 - CONNECTOR MATING REQUIREMENTS: 9 in. lbs. TORQUE FOR CAPTIVE LOCKING SCREWS.
 - PART NUMBER VARIABLE:

MTC XIP-COAX OIS-01
 B=NICKEL PLATE PER MIL-C-26074
 C=CADMIUM PLATE PER QQ-P-416 OVER NICKEL UNDERPLATE

13. DIMENSIONS WITHOUT TOLERANCES ARE TO BE CONSIDERED FOR REFERENCE ONLY.



VIEW SHOWING IDENTIFICATION

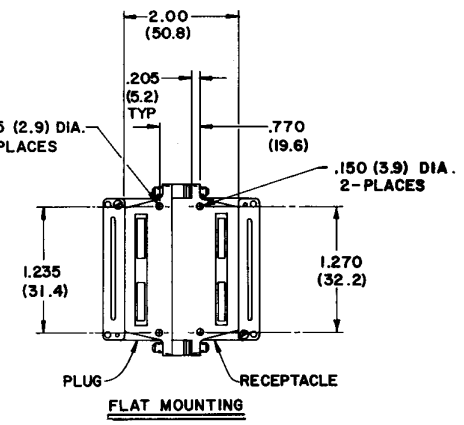
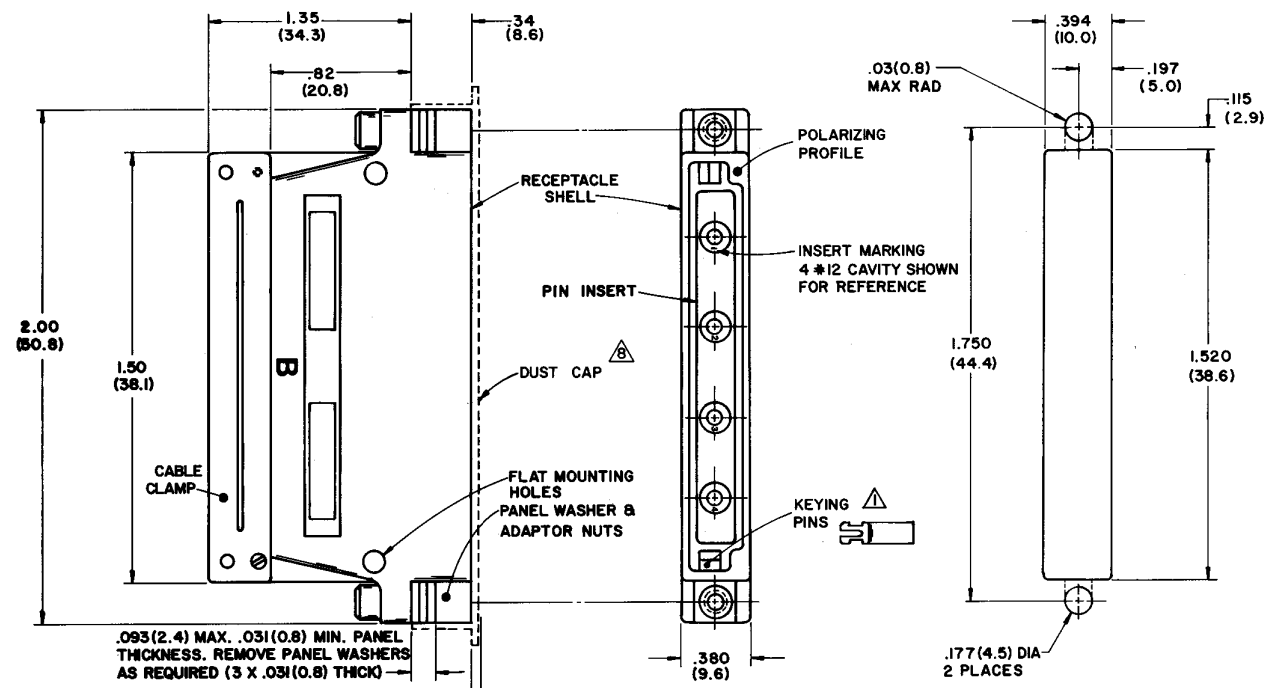
If this document is printed it becomes uncontrolled.
 Check with the web for latest revision.

SPECIFICATION CONTROL DRAWING

ITEM	QTY	PART NUMBER	DWG. OR SPEC.	DESCRIPTION
		UNLESS OTHERWISE SPECIFIED DIMENSIONS ARE IN INCHES AND TOLERANCES ARE	DRAWN	CRN 7-27-77
		XXX .XX .X	CHECKED	2-24-78
		APPROVED	APPROVED	6-8-78
		APPROVED	APPROVED	5-9-77
		MATERIAL	CAD FILE:	T28702.B.C.TIF
		FINISH	SIZE	CODE IDENT
		DO NOT SCALE THIS DRAWING	D	NO 06090
		NEXT ASSY	DWG NO	D-652-0004
		USED IN	SCALE	WEIGHT
		APPLICATION	PROJECT	6441-6037
			SHEET	OF 4

WIRE AND HARNESSING PRODUCTS
 TITEL
 CONNECTOR, PLUG, RECTANGULAR ENVIRONMENTAL, FIXED SOCKET INSERT - ONE INCH MTC SERIES

REVISIONS				
ZONE	LTR	DESCRIPTION	DATE	APPROVED
		SEE SHEET 1		



PIN CONTACT AND TOOLING INFORMATION

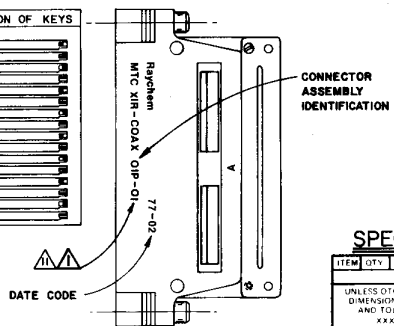
TABLE I

CONTACT TYPE	MILITARY PART NO.	WIRE STRIP LENGTH	TERMINATION TOOL
SHIELDED CONTACT FOR COAX CABLE D-602-0106 OR D-602-0094		SEE DRAWING D-602-0106 OR D-602-0094	SEE DRAWING D-602-0106 OR D-602-0094
CONTACT FOR TWISTED PAIR D-602-0104		SEE DRAWING D-602-0104	SEE DRAWING D-602-0104
POWER CONTACT SIZE 12	M39029/4-12-12	1/4" TO 5/16"	M22520/1-01 POSITIONER M22520/1-02

ADAPTOR NUTS TO BE FLUSH WITH RECEPTACLE WITHIN .020(0.5)

TABLE II
KEYING CODE CHART

PART NUMBER	X X	POSITION OF KEYS
MTC XIR-COAX OIP-01	AA	10
	AB	11
	AC	12
	AD	13
	BA	14
	BB	15
	BC	16
	BD	17
	CA	18
	CB	19
	CC	20
	CD	21
	DC	22
	DD	23
MTC XIR-COAX OIP-01	DD	24



VIEW SHOWING IDENTIFICATION

- NOTES:
- KEYING CODE DOES NOT FORM A PART OF RAYCHEM PART NUMBER SYSTEM AND BE OMITTED WHEN ORDERING. KEYING PINS SUPPLIED UN-INSTALLED. SEE TABLE II FOR KEYING POSITIONS.
 - COMPLETE CONNECTORS AND ACCESSORIES ARE INDIVIDUALLY BAGGED AND LABELED.
 - NEAR GROMMET INSERT WILL SEAL ON SMOOTH INSULATION FROM .097" TO .156" O.D.
 - CONNECTOR DESIGNED FOR USE WITH POWER AND SHIELDED CONTACTS PER TABLE I.
 - INSERTS ARE PERMANENTLY INSTALLED, CONTACTS MAY BE INSERTED & REMOVED USING TOOL PER NOTE 8.
 - ALL UNUSED CAVITIES TO BE SEALED USING SEALING PLUG NUMBER M83723-28-12.
 - ALL CONTACTS SIZE 12 ARE INSERTED AND REMOVED USING TOOL NUMBER M83723-31-12.
 - CONNECTOR SUPPLIED WITH A SHIPPING DUST CAP OVER ENGAGING END.
 - CONNECTOR RECEPTACLE PART NO. MTCXIR-COAX OIP-01-AA, AA = KEYING CODE
 - MATES WITH PLUG CONNECTOR NO. MTCXIP-COAX OIS-01, PART NUMBER VARIABLE:
 - MTC XIR-COAX OIP-01
 - B-NICKEL PLATE PER MIL-C-26074
 - C-CADMIUM PLATE PER QQ-P-416 OVER NICKEL UNDERPLATE
 - DIMENSIONS WITHOUT TOLERANCES ARE TO BE CONSIDERED FOR REFERENCE ONLY.

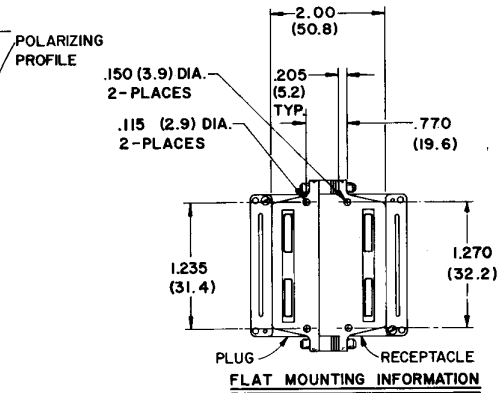
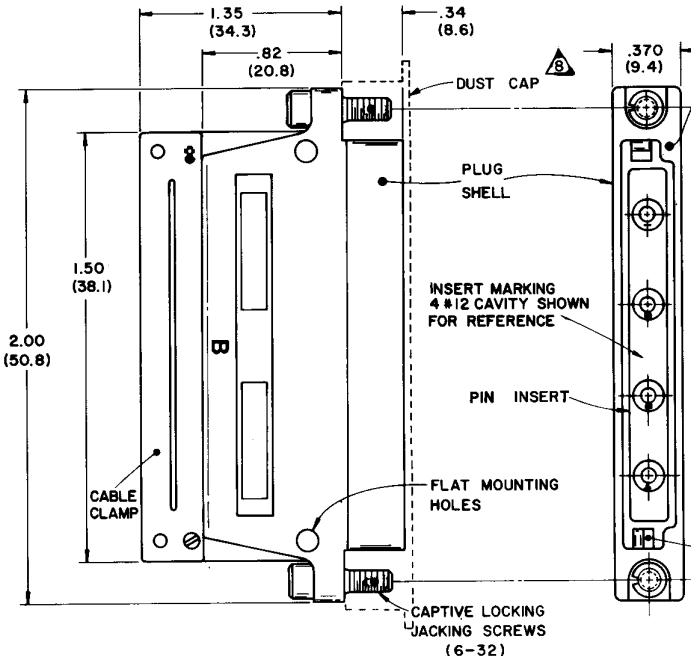
If this document is printed it becomes uncontrolled.
Check with the web for latest revision.

SPECIFICATION CONTROL DRAWING

ITEM	QTY	PART NUMBER	DWG OR SPEC	DESCRIPTION
UNLESS OTHERWISE SPECIFIED DIMENSIONS ARE IN INCHES AND TOLERANCES ARE: .XX, .XX, .XX				
DRAWING		CRN	7-20-77	TITLE
CHECKED				TYCOELECTRONICS, RAYCHEM 397 CONSTITUTION DRIVE MENO PARK, CALIFORNIA 94025
APPROVED			2-74	CONNECTOR, RCPT, RECTANGULAR, ENVIRONMENTAL, FIXED PIN INSERT ONE INCH MTC SERIES
MATERIAL			6-87	
APPROVED			5-77	
FINISH		CADFILE:	T38702b.TIF	SIZE
PROJECT			64-41-6037	CODE IDENT
				DWG NO
				D NO 00000
				D-652-0004
				J
				SCALE
				WEIGHT
				SHEET 2 OF 4

DO NOT SCALE THIS DRAWING	NEXT ASSY	USED ON
	APPLICATION	

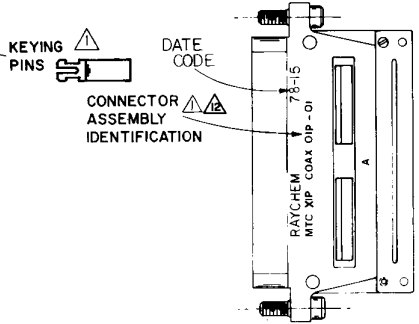
REVISIONS		DATE	APPROVED
ZONE	LTR	DESCRIPTION	
-	-	SEE SHEET 1	



SOCKET CONTACT AND TOOLING INFORMATION

TABLE I			
CONTACT TYPE	MILITARY PART NO.	WIRE STRIP LENGTH	TERMINATION TOOL
SHIELDED CONTACT FOR COAX CABLE D-602-0094 OR D-602-0106		SEE DRAWING D-602-0094 OR D-602-0106	SEE DRAWING D-602-0094 OR D-602-0106
CONTACT FOR TWISTED PAIR D-602-0104		SEE DRAWING D-602-0104	SEE DRAWING D-602-0104
POWER CONTACT SIZE 12	M39029/4-12-12	1/4" TO 5/16"	M22820/1-01 POSITIONER M22820/1-02

TABLE II KEYING CODE CHART		
PART NUMBER	X X	POSITION OF KEYS
MTC XIP-COAX OIP-01	AA	☐
	AB	☐
	AC	☐
	AD	☐
	BA	☐
	BB	☐
	BC	☐
	BD	☐
	CA	☐
	CB	☐
	CC	☐
	CD	☐
	DA	☐
	DB	☐
	DC	☐
MTC XIP-COAX OIP-01	DD	☐



VIEW SHOWING IDENTIFICATION

NOTES:

- KEYING CODE DOES NOT FORM A PART OF RAYCHEM PART NUMBER SYSTEM AND SHOULD BE OMITTED WHEN ORDERING. KEYING PINS SUPPLIED UN-INSTALLED. SEE TABLE II FOR KEYING POSITIONS.
- COMPLETE CONNECTORS AND ACCESSORIES ARE INDIVIDUALLY BAGGED AND LABELED.
- REAR GROMMET INSERT WILL SEAL ON SMOOTH INSULATION FROM .097" TO .158" O.D.
- CONNECTOR DESIGNED FOR USE WITH POWER AND SHIELDED CONTACTS PER TABLE I.
- INSERTS ARE PERMANENTLY INSTALLED, CONTACTS MAY BE INSERTED AND REMOVED USING TOOL PER NOTE 8.
- ALL UNUSED CAVITIES TO BE SEALED USING SEALING PLUG NUMBER M83723-28-12.
- ALL CONTACTS SIZE 12 ARE INSERTED AND REMOVED USING TOOL NUMBER M83723-31-12.
- CONNECTOR SUPPLIED WITH A SHIPPING DUST CAP OVER ENGAGING END.
- CONNECTOR PLUG PART NO. MTCXIP-COAX OIP-01-AA. AA = KEYING CODE.
- MATES WITH RECEPTACLE CONNECTOR NO. MTCXIR-COAX OIS-01.
- CONNECTOR MATING REQUIREMENTS: 9 in. lbs. TORQUE FOR CAPTIVE LOCKING SCREWS. PART NUMBER VARIABLE.

MTC XIP-COAX OIP-01
 B = NICKEL PLATE PER MIL-C-26074
 C = CADMIUM PLATE PER QQ-P-416 OVER NICKEL UNDERPLATE

If this document is printed it becomes uncontrolled.
 Check with the web for latest revision.

SPECIFICATION CONTROL DRAWING

DESCRIPTION		DATE		DRAWING NO.	
TYCO ELECTRONICS RAYCHEM DIV. CONSTITUTION DRIVE MENLO PARK, CALIFORNIA 94025	CRN 1/20/77	5-20-77		D-652-0004	J
CONNECTOR, PLUG, RECTANGULAR ENVIRONMENTAL, FIXED PIN INSERT - ONE INCH MTC SERIES	1/20/77	5-24-77			
	1/20/77	5-9-77			
CAD FILE: T28702c.TIF					
6441-6037					