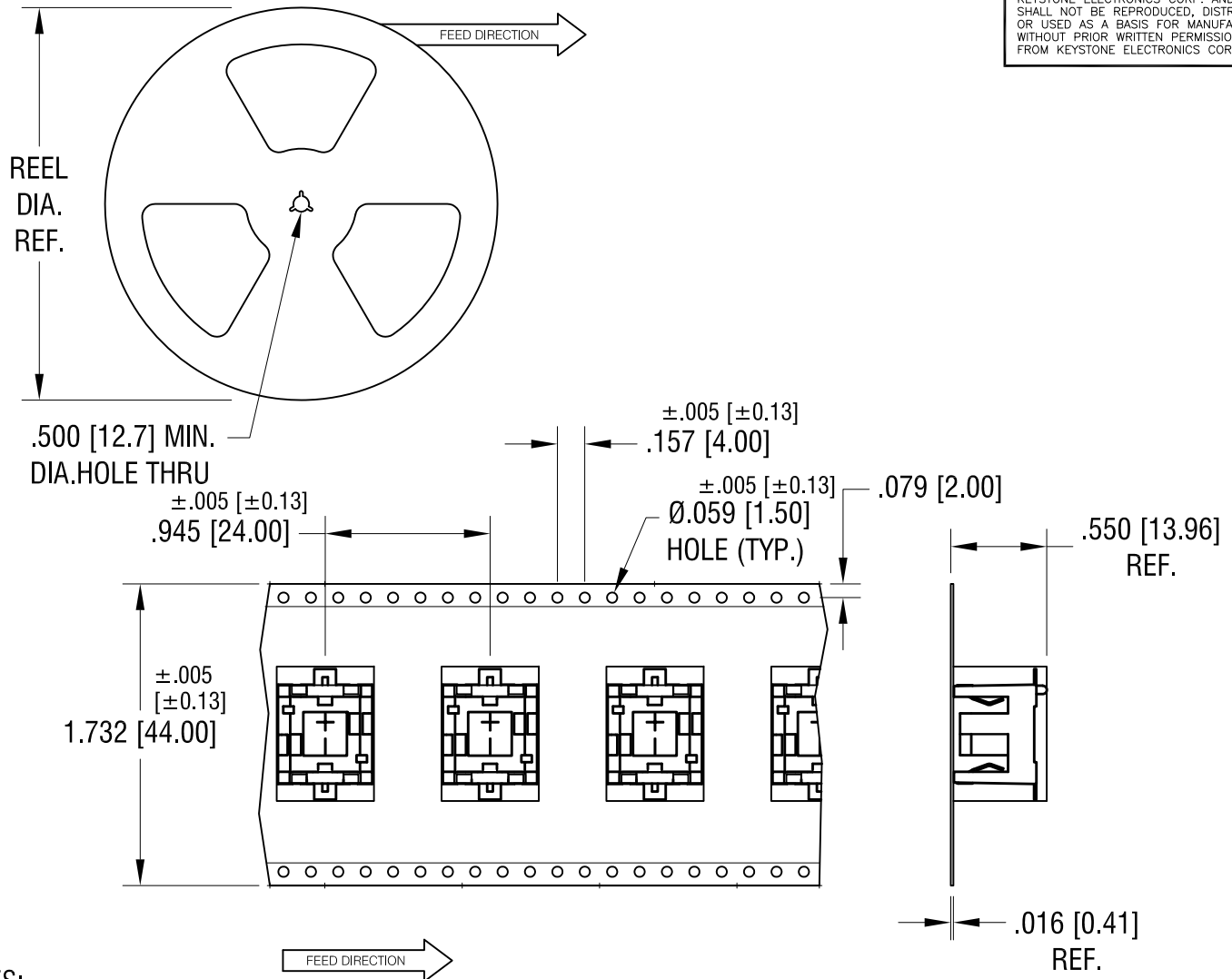


THIS DOCUMENT IS THE PROPERTY OF KEYSTONE ELECTRONICS CORP. AND SHALL NOT BE REPRODUCED, DISTRIBUTED OR USED AS A BASIS FOR MANUFACTURE WITHOUT PRIOR WRITTEN PERMISSION FROM KEYSTONE ELECTRONICS CORP.



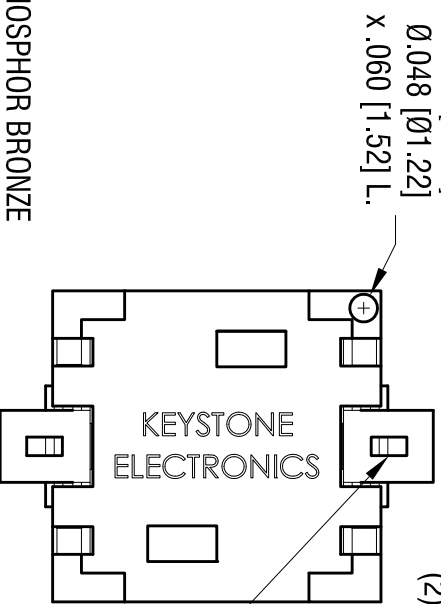
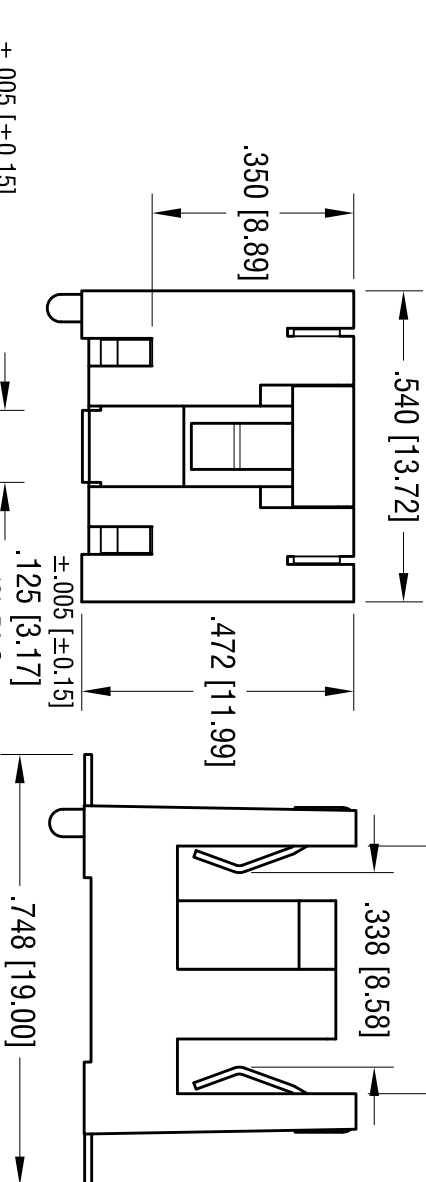
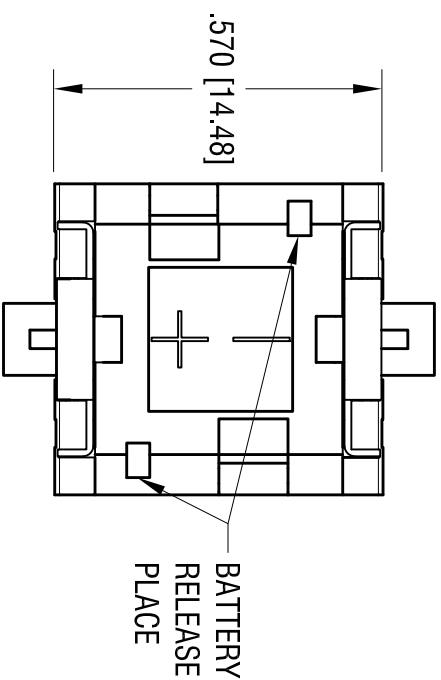
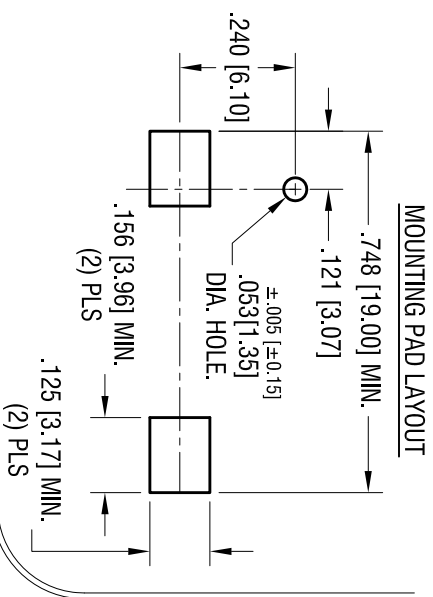
NOTES:

BATTERY HOLDER AND TAPE AND REEL SPECIFICATIONS:

1. BATTERY HOLDER:
 CONTACT: MAT'L- .012 [0.30] TH'K PHOSPHOR BRONZE
 FINISH- GOLD FLASH PLATE
 HOUSING: MAT'L- HEAT RESISTANCE NYLON (UL94V-0)
2. TAPE:
 MAT'L - ALL CONDUCTIVE POLYSTYRENE CARRIER
 ANSI/EIA-481 STANDARD
 1.732 [44.00] WIDE; .945 [24.0] PITCH
3. REEL:
 13.0 [330.2] DIA. 200 PIECES OF
 PART NO. 498 PER REEL.

2.04.20	PITCH WAS .788 [20.00] CHANGE AS PER ECN 20-008	A
DATE	DESCRIPTION	REV.

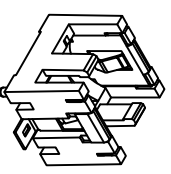
KEYSTONE ELECTRONICS CORP.			
www.keyelco.com • NEW HYDE PARK, NY 11040 • Tel (516) 328-7500			
PART NAME			
1/3 N HORIZONTAL SMT HOLDER ON TAPE			
MATERIAL			
AS NOTED			
FINISH		DRN BY	DATE
AS NOTED		NT	5.04.10
		APP'D	SCALE
		RH	X
TOLERANCES	INCH [MM]	CODE	DWG NO.
DECIMAL	± .015 [± 0.38]	C	498TR
ANGULAR	± 1°		
UNLESS OTHERWISE SPECIFIED			



DATE	DESCRIPTION	REV.
2.11.10	CHANGE AS PER ECN 10-011	A
7.25.14	CHANGE AS PER ECN 14-080	B
7.24.14	CHANGE AS PER ECN 14-080	C
7.08.15	CHANGE AS PER ECN 15-068	D

- NOTE:
1. CONTACT: MAT'L- .012 [0.30]THK PHOSPHOR BRONZE
FINISH- GOLD FLASH PLATE
 2. HOUSING: MAT'L- HEAT RESISTANCE NYLON (UL94V-0)

ACTUAL SIZE



.062 H. X .032 W.
SLOTTED HOLE (2) PLS

KEYSTONE ELECTRONICS CORP.
www.keystelco.com • NEW HYDE PARK, NY 11040 • Tel (516) 328-7500

PART NAME
1/3 N HORIZONTAL SMT HOLDER

MATERIAL
AS NOTED

FINISH
AS NOTED

TOLERANCES	INCH	[MM]	CODE	DRN BY	DATE
DECIMAL	± .010	[± .025]	C	NT	9.24.09
ANGULAR	± 1°			LN	SCALE 3X

498

THIS DOCUMENT IS THE PROPERTY OF
KEYSTONE ELECTRONICS CORP. AND
SHALL NOT BE REPRODUCED, DISTRIBUTED
OR USED AS A BASIS FOR MANUFACTURE
WITHOUT PRIOR WRITTEN PERMISSION
FROM KEYSTONE ELECTRONICS CORP.