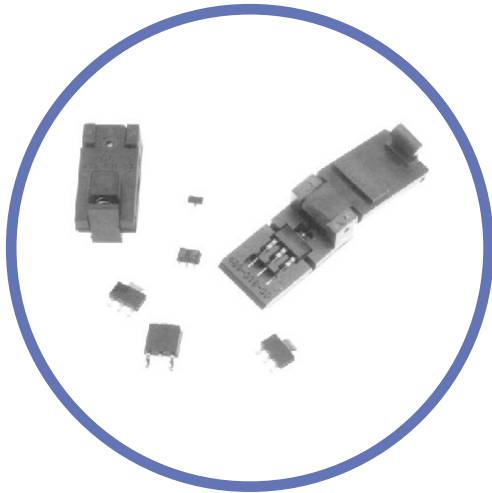


| 499 SERIES

Family of SOT & TO Devices



Features

- Wide product selection
- Gold contact plating
- High temperature materials
- Low insertion force
- Small outlines for greater board density

SPECIFICATIONS

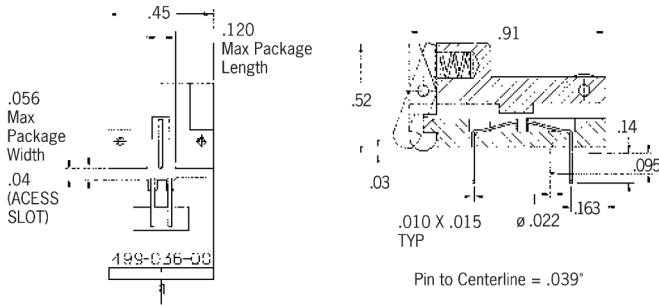
| | |
|---------------------------|------------------------------------|
| Socket Body | PPS or Equivalent |
| Contact | Beryllium Copper Alloy of Spinodal |
| Contact Plating | Gold over Nickel |
| Contact Resistance | Less than 10 m Ω |
| Dielectric | 1000AV RMs for 1 minute |
| Temperature Rating | -55°C to +155°C |
| Current Rating | Exceeds Device |



DIMENSIONS

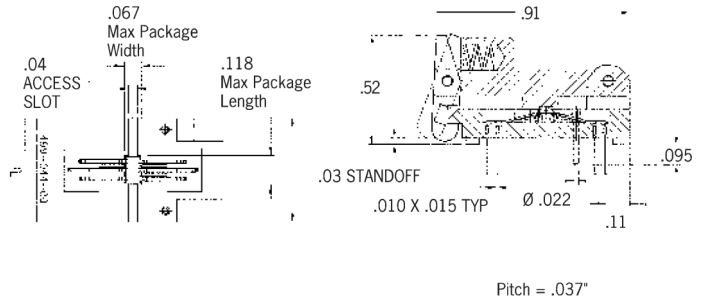
All dimensions shown in inches

499-P36-20 TO-236 3 Lead SOT-23 Sockets

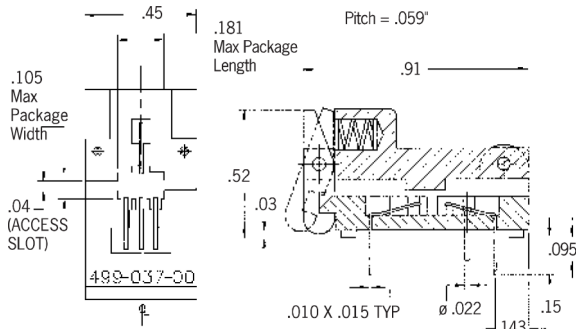


499-P43-20 5 Lead MO-178 Sockets

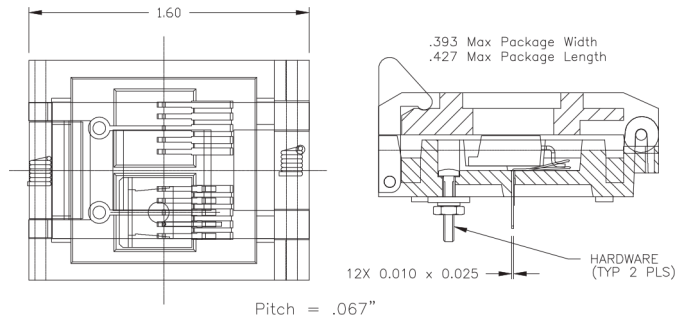
499-P43-20 6 Lead MO-178 Sockets



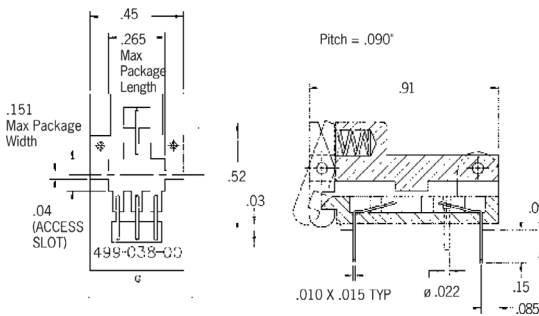
499-P37-20 TO-243 4 Lead SOT-89 Sockets



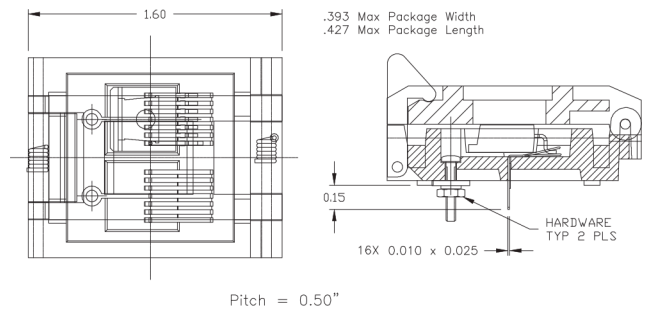
499-042-00 5 Lead TO-263 Sockets



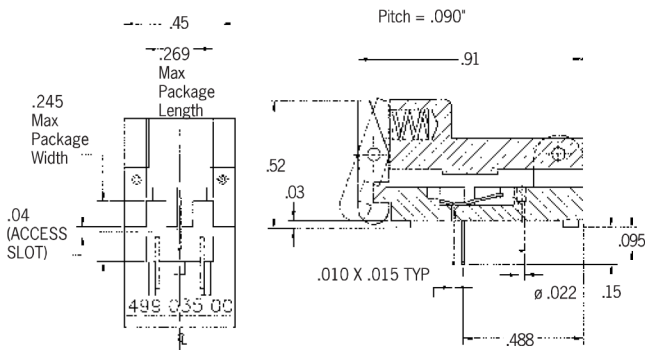
499-P38-20 TO-261 4 Lead SOT-223 Sockets



499-041-00 7 Lead TO-263 Sockets



499-P35-20 3 Lead TO-252 (D-Pak) Sockets



499-040-00 D² Pak Sockets

