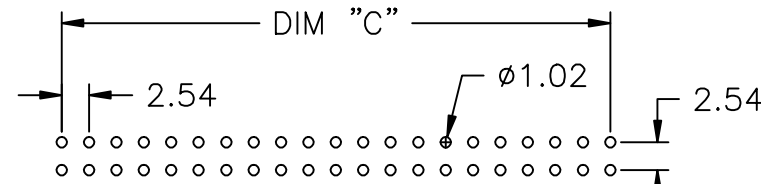
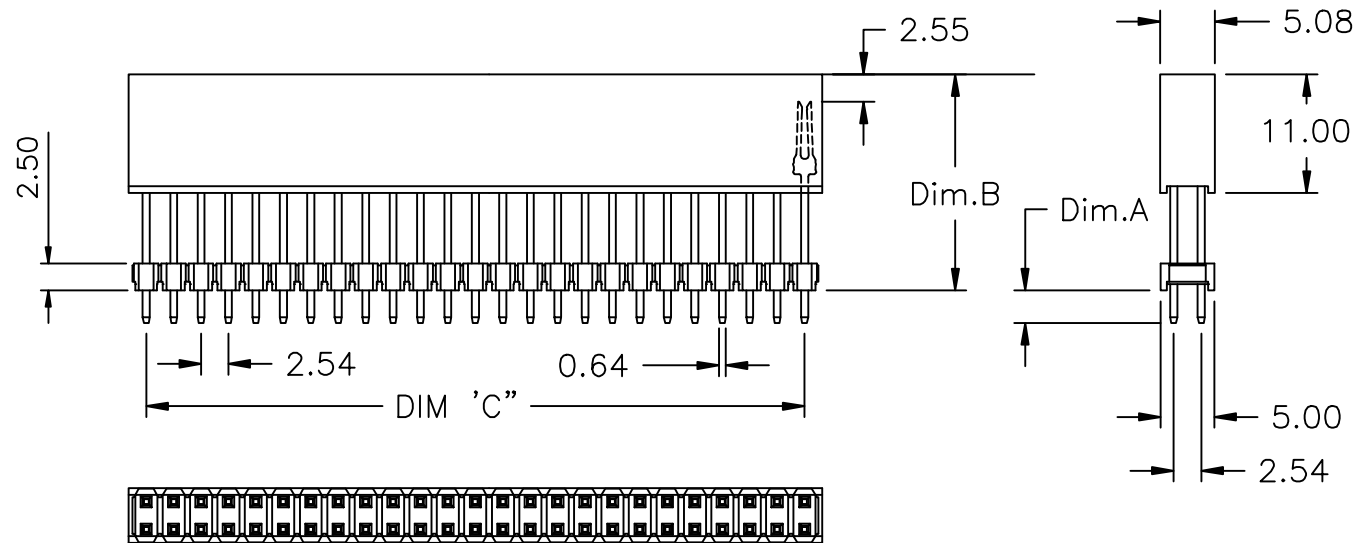
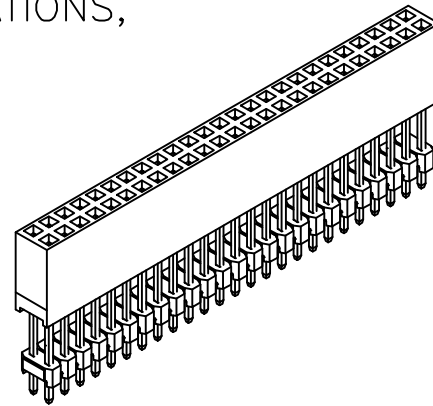
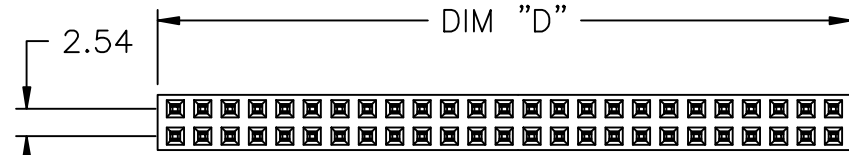


3M™ CONNECTOR FOR PC104 EMBEDDED SYSTEM APPLICATIONS,
BUS COMPATIBLE



RECOMMENDED P.C.B LAYOUT
TOLERANCES: ±0.05mm

NOTES:

- MATERIAL:
CONTACT MATERIAL: PHOSPHOR BRONZE
INSULATOR MATERIAL: POLYESTER NYLON-6T
UL 94V-0
- PLATING: μM[μ"]
-DA
0.08[3] MIN Au FEMALE CONTACTS
0.08[3] MIN Au MALE CONTACTS
1.27[50] MIN Ni UNDERCOAT
-MG
0.38[15] MIN Au FEMALE CONTACTS
0.08[3] MIN Au MALE CONTACTS
1.27[50] MIN Ni UNDERCOAT
-SL
0.38[15] MIN Au FEMALE CONTACTS
2.54[100] MIN Sn NON-STACK-THRU TAILS
1.27[50] MIN Ni UNDERCOAT
- CURRENT RATING: 3 AMPS
INSULATOR RESISTANCE: 5000 MEGA OHMS MIN
CONTACT RESISTANCE: 20 MILLIOHMS MAX
DIELECTRIC WITHSTAND: 1000 VAC
OPERATING TEMPERATURE: -40°C TO +105°C
MAX PROCESSING TEMPERATURE; 230°C FOR 60 SECONDS
260°C FOR 10 SECONDS
- SEE THE REGULATORY INFORMATION APPENDIX (RIA) IN THE "ROHS COMPLIANCE" SECTION OF: WWW.3MCONNECTOR.COM FOR COMPLIANCE INFORMATION (RIA E1 & C1 APPLY).
- IN THE EVENT OF CONFLICT BETWEEN THIS DATA AND THAT CONTAINED IN THE PRODUCT SPEC., THE PRODUCT SPEC. TAKES PRECEDENT.
- REFERENCE DOCUMENT 78-9101-3959-7
- PART NO: SEE TABLE

| TYPE | PART NO. | DIM "A" | DIM "B" | DIM "C" | DIM "D" | MIN STANDOFF | MAX STANDOFF |
|------------------------------|--------------|---------|---------|---------|---------|--------------|--------------|
| 40-PIN NON-STACK-THRU SOLDER | 4P01-2E02-XX | 3.00 | 20.00 | 48.26 | 51.50 | 24.0 | |
| 40-PIN NON-STACK-THRU SOLDER | 4P01-2F02-XX | 3.10 | 17.40 | 48.26 | 51.50 | 21.4 | |
| 40-PIN NON-STACK-THRU SOLDER | 4P01-2G02-XX | 3.85 | 17.40 | 48.26 | 51.50 | 21.4 | |
| 40-PIN STACK-THRU SOLDER | 4P01-2H02-XX | 6.85 | 19.07 | 48.26 | 51.50 | 19.3 | 21.9 |
| 64-PIN NON-STACK-THRU SOLDER | 4P02-2E02-XX | 3.00 | 20.00 | 78.74 | 81.98 | 24.0 | |
| 64-PIN NON-STACK-THRU SOLDER | 4P02-2F02-XX | 3.10 | 17.40 | 78.74 | 81.98 | 21.4 | |
| 64-PIN NON-STACK-THRU SOLDER | 4P02-2G02-XX | 3.85 | 17.40 | 78.74 | 81.98 | 21.4 | |
| 64-PIN STACK-THRU SOLDER | 4P02-2H02-XX | 6.85 | 19.07 | 78.74 | 81.98 | 19.3 | 21.9 |

-XX IS PLATING TYPE

| | | | | | | |
|------------------------|------------------------------------------------------------------------------------------|----------------------------------------------------------------------------------------------------------------------------------------------------------------------------------------------|------------|----------------------------|------|------------|
| DESIGN REFERENCE | NEXT ASSEMBLY | REV | ECO | ISSUE DATE AND DESCRIPTION | DRFT | CHKD |
| DISTRIBUTION CODES | | DRPT | MWL | DATE 02/02/11 | MFG | DATE |
| | ECO | CHKD | TS | DATE 02/02/11 | APPL | DATE |
| DIVISION | DIVISION CODE | <p>© 3M COPYRIGHT This document is the copyrighted property of the 3M Company and may not be reproduced without 3M written permission or used for other than 3M authorized purposes.</p> | | | | |
| DO NOT SCALE DRAWING | SCALE | TOLERANCES EXCEPT AS NOTED INCHES .0 ± .005 .00 ± .000 .000 ± .000 .0000 ± .0000 MILLIMETERS 0 ± .005 .0 ± .03 .00 ± .20 .000 ± .000 ANGLES ± | | | | |
| THIRD ANGLE PROJECTION | INTERPRET PER ASME Y14.5 - 1994 | TITLE 4P0X-2X02-XX, PC104, BUS COMPATIBLE, CONNECTORS | | | | |
| MAX SURFACE ROUGHNESS | <input type="checkbox"/> ALL SURFACES <input checked="" type="checkbox"/> MARKED ONLY | CAGE NUMBER | SIZE | DRAWING NO. | REV. | |
| | | | C | 78-5100-2394-4 | A | |
| | | MODEL | DET. LISTS | YES | NO | SHT 1 OF 2 |

3M™ CONNECTOR FOR PC104 EMBEDDED SYSTEM APPLICATIONS,
BUS COMPATIBLE

PC104 CONNECTOR ORDERING GUIDE

4P 0 X - 2 X 0 2 - XX

PRODUCT FAMILY:
PC104

No. CONTACTS:
1=40
2=64

PLATING OPTIONS: $\mu\text{M}[\mu\text{"}]$

DA = 0.08[3] MIN Au ALL OVER
1.27[50] MIN Ni ALL OVER


MG = 0.38[15] MIN Au FEMALE CONTACTS
0.08[3] MIN Au TAIL AREA
1.27[50] MIN Ni ALL UNDER

SL = 0.38[15] MIN Au FEMALE CONTACTS
2.54[100] MIN MATTE Sn TAILS
1.27[50] MIN Ni ALL UNDER
(NON-STACK-THRU ONLY)

| | | |
|--------------|--------------|------------------|
| BODY HEIGHT: | TAIL LENGTH: | STANDOFF HEIGHT: |
| E=20.0 | 3.0 | [MIN-MAX]mm |
| F=17.4 | 3.1 | [24.0-] |
| G=17.4 | 3.9 | [21.4-] |
| H=19.1 | 6.9 | [21.4-] |
| | | [19.3-21.9] |

TAIL TYPE:
2=SOLDER

NOTE: STANDOFF HEIGHT, 15mm = COMPLIANT,
OTHERS = BUS COMPATIBLE
TAIL LENGTH, > 4.3mm = STACK-THRU
< 4.2mm = NON-STACK-THRU

| | | | | | | |
|-------------------------------------------------------------------------------------------------------------------|---------------------------------|----------------------------------------------------------------------------------------------------------------------------------------------------------------------------------------------------------------------------------------------------------------------------|------|----------------------------|-------|------|
| DESIGN REFERENCE | NEXT ASSEMBLY | REV | ECO | ISSUE DATE AND DESCRIPTION | DRFT | CHKD |
| DISTRIBUTION CODES | | DRFT | MWL | DATE 02/02/11 | MFG | DATE |
| | ECO | CHKD | TS | DATE 02/02/11 | APPL | DATE |
| DIVISION | DIVISION CODE |  © 3M COPYRIGHT This document is the copyrighted property of the 3M Company and may not be reproduced without 3M written permission or used for other than 3M authorized purposes. | | | | |
| DO NOT SCALE DRAWING | SCALE | TOLERANCES EXCEPT AS NOTED INCHES .0 ± .00 ± .000 ± .0000 ± MILLIMETERS 0 ± .0 ±.3 .00 ±.20 .000 ± ANGLES ± | | | | |
| THIRD ANGLE PROJECTION | INTERPRET PER ASME Y14.5 - 1994 | TITLE 4P0X-2X02-XX, PC104, BUS COMPATIBLE, CONNECTORS | | | | |
| MAX SURFACE ROUGHNESS <input type="checkbox"/> ALL SURFACES <input checked="" type="checkbox"/> MARKED ONLY | | CAGE NUMBER | SIZE | DRAWING NO. | REV. | |
| | | | C | 78-5100-2394-4 | A | |
| | | MODEL | | DET. LISTS | YES | NO |
| | | | | | SHT 2 | OF 2 |