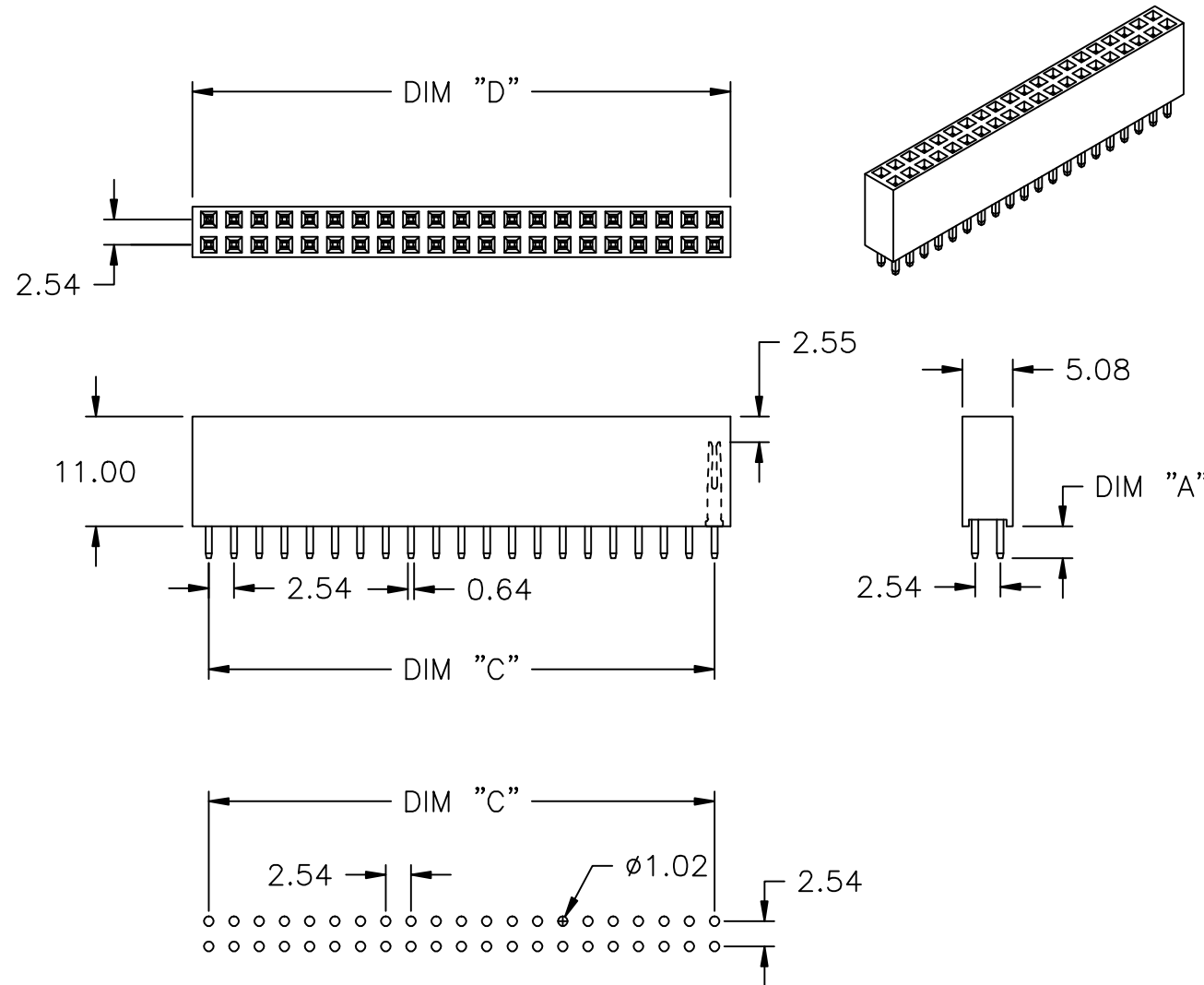


3M™ CONNECTOR FOR PC104 EMBEDDED SYSTEM APPLICATIONS,
COMPLIANT AND BUS COMPATIBLE



RECOMMENDED P.C.B LAYOUT
TOLERANCES: ±0.05mm

TYPE	PART NO.	DIM "A"	DIM "C"	DIM "D"	MIN STANDOFF	MAX STANDOFF
40-PIN COMPLIANT NON-STACK-THRU SOLDER	4P01-2A02-XX	3.20	48.26	51.50	15.0	
40-PIN BUS COMPATIBLE STACK-THRU SOLDER	4P01-2B02-XX	6.00	48.26	51.50	11.3	13.0
40-PIN COMPLIANT STACK-THRU SOLDER	4P01-2C02-XX	7.90	48.26	51.50	11.3	14.9
40-PIN COMPLIANT STACK-THRU SOLDER	4P01-2D02-XX	12.00	48.26	51.50	15.0	19.0
64-PIN COMPLIANT NON-STACK-THRU SOLDER	4P02-2A02-XX	3.20	78.74	81.98	15.0	
64-PIN BUS COMPATIBLE STACK-THRU SOLDER	4P02-2B02-XX	6.00	78.74	81.98	11.3	13.0
64-PIN COMPLIANT STACK-THRU SOLDER	4P02-2C02-XX	7.90	78.74	81.98	11.3	14.9
64-PIN COMPLIANT STACK-THRU SOLDER	4P02-2D02-XX	12.00	78.74	81.98	15.0	19.0

-XX IS PLATING TYPE

NOTES:

- MATERIAL:
CONTACT MATERIAL: PHOSPHOR BRONZE
INSULATOR MATERIAL: POLYESTER NYLON-6T
UL 94V-0
- PLATING: μM[μ"]
-DA
0.08[3] MIN Au FEMALE CONTACTS
0.08[3] MIN Au MALE CONTACTS
1.27[50] MIN Ni UNDERCOAT
-MG
0.38[15] MIN Au FEMALE CONTACTS
0.08[3] MIN Au MALE CONTACTS
1.27[50] MIN Ni UNDERCOAT
-SL
0.38[15] MIN Au FEMALE CONTACTS
2.54[100] MIN Sn NON-STACK-THRU TAILS
1.27[50] MIN Ni UNDERCOAT
- CURRENT RATING: 3 AMPS
INSULATOR RESISTANCE: 5000 MEGA OHMS MIN
CONTACT RESISTANCE: 20 MILLIOHMS MAX
DIELECTRIC WITHSTAND: 1000 VAC
OPERATING TEMPERATURE: -40°C TO +105°C
MAX PROCESSING TEMPERATURE; 230°C FOR 60 SECONDS
260°C FOR 10 SECONDS
- SEE THE REGULATORY INFORMATION APPENDIX (RIA) IN THE "ROHS COMPLIANCE" SECTION OF: WWW.3MCONNECTOR.COM FOR COMPLIANCE INFORMATION (RIA E1 & C1 APPLY).
- IN THE EVENT OF CONFLICT BETWEEN THIS DATA AND THAT CONTAINED IN THE PRODUCT SPEC., THE PRODUCT SPEC. TAKES PRECEDENT.
- REFERENCE DOCUMENT 78-9101-3959-7
- PART NO: SEE TABLE

DESIGN REFERENCE	NEXT ASSEMBLY	REV	ECO	ISSUE DATE AND DESCRIPTION	DRFT	CHKD
DISTRIBUTION CODES		DRFT	MWL	DATE 02/02/11	MFG	DATE
	ECO	CHKD	TS	DATE 02/02/11	APPL	DATE
DIVISION	DIVISION CODE	<p>© 3M COPYRIGHT This document is the copyrighted property of the 3M Company and may not be reproduced without 3M written permission or used for other than 3M authorized purposes.</p>				
DO NOT SCALE DRAWING	SCALE	TOLERANCES EXCEPT AS NOTED INCHES .0 ± .005 .00 ± .0005 .000 ± .00005 MILLIMETERS 0 ± .005 .0 ± .005 .00 ± .005 .000 ± .0005 ANGLES ±				
THIRD ANGLE PROJECTION	INTERPRET PER ASME Y14.5 - 1994	TITLE 4P0X-2X02-XX, PC104, COMPLIANT, CONNECTORS				
MAX SURFACE ROUGHNESS	<input type="checkbox"/> ALL SURFACES <input checked="" type="checkbox"/> MARKED ONLY	CAGE NUMBER	SIZE	DRAWING NO.	REV.	
			C	78-5100-2392-8	A	
		MODEL	DET. LISTS	YES	NO	SHT 1 OF 2

3M™ CONNECTOR FOR PC104 EMBEDDED SYSTEM APPLICATIONS,
COMPLIANT AND BUS COMPATIBLE

PC104 CONNECTOR ORDERING GUIDE

4P 0 X - 2 X 0 2 - XX

PRODUCT FAMILY: PC104

No. CONTACTS:
1=40
2=64

PLATING OPTIONS: $\mu\text{M}[\mu\text{"}]$

BODY HEIGHT:	TAIL LENGTH:	STANDOFF HEIGHT: [MIN-MAX]mm
A=11.0	3.2	[15.0-]
B=11.0	6.0	[11.3-13.0]
C=11.0	7.9	[11.3-14.9]
D=11.0	12.0	[15.0-19.0]


DA = 0.08[3] MIN Au ALL OVER
1.27[50] MIN Ni ALL OVER

MG = 0.38[15] MIN Au FEMALE CONTACTS
0.08[3] MIN Au TAIL AREA
1.27[50] MIN Ni ALL UNDER

SL = 0.38[15] MIN Au FEMALE CONTACTS
2.54[100] MIN MATTE Sn TAILS
1.27[50] MIN Ni ALL UNDER
(NON-STACK-THRU ONLY)

TAIL TYPE:
2=SOLDER

NOTE: STANDOFF HEIGHT, 15mm = COMPLIANT,
OTHERS = BUS COMPATIBLE
TAIL LENGTH, > 4.3mm = STACK-THRU
< 4.2mm = NON-STACK-THRU

DESIGN REFERENCE	NEXT ASSEMBLY	REV	ECO	ISSUE DATE AND DESCRIPTION	DRFT	CHKD
DISTRIBUTION CODES		DRFT	MWL	DATE 02/02/11	MFG	DATE
	ECO	CHKD	TS	DATE 02/02/11	APPL	DATE
DIVISION	DIVISION CODE	 <p>© 3M COPYRIGHT This document is the copyrighted property of the 3M Company and may not be reproduced without 3M written permission or used for other than 3M authorized purposes.</p>				
DO NOT SCALE DRAWING	SCALE	<p>TOLERANCES EXCEPT AS NOTED</p> <p>INCHES .0 ± .00 ± .000 ± .0000 ±</p> <p>MILLIMETERS 0 ± .0 ±.3 .00 ±.20 .000 ±</p> <p>THIRD ANGLE PROJECTION</p> <p>INTERPRET PER ASME Y14.5 - 1994</p> <p>MAX SURFACE ROUGHNESS <input type="checkbox"/> ALL SURFACES <input checked="" type="checkbox"/> MARKED ONLY</p> <p>ANGLES ±</p>				
		<p>TITLE</p> <p>4P0X-2X02-XX, PC104, COMPLIANT, CONNECTORS</p>				
		CAGE NUMBER	SIZE	DRAWING NO.	REV.	
			C	78-5100-2392-8	A	
		MODEL	DET. LISTS		YES NO SHT 2 OF 2	