

**SINGLE-PHASE GLASS PASSIVATED
SILICON BRIDGE RECTIFIER**
VOLTAGE RANGE 50 to 1000 Volts CURRENT 4.0 Amperes

FEATURES

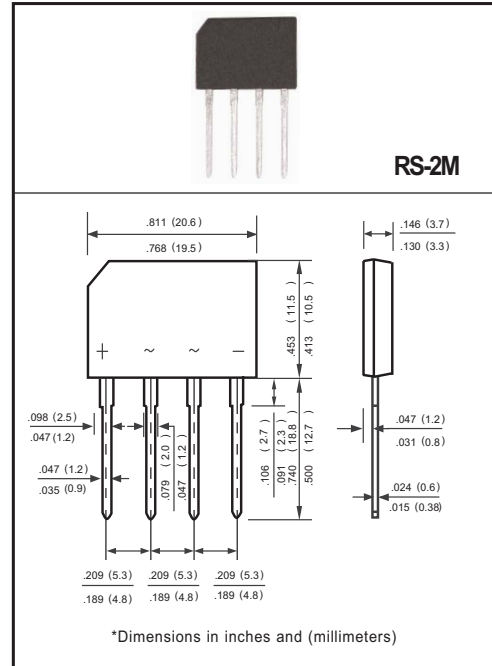
- * Low leakage
- * Low forward voltage
- * Low cost
- * Mounting position: Any

MECHANICAL DATA

- * Epoxy: Device has UL flammability classification 94V-O

MAXIMUM RATINGS AND ELECTRICAL CHARACTERISTICS

Ratings at 25 °C ambient temperature unless otherwise specified.
resistive or inductive load.



MAXIMUM RATINGS (@T_A=25 °C unless otherwise noted)

| RATINGS | SYMBOL | 4RS201M | 4RS202M | 4RS203M | 4RS204M | 4RS205M | 4RS206M | 4RS207M | UNITS |
|--|-----------------------------------|--------------|---------|---------|---------|---------|---------|---------|---------------------|
| Maximum Recurrent Peak Reverse Voltage | V _{RRM} | 50 | 100 | 200 | 400 | 600 | 800 | 1000 | Volts |
| Maximum RMS Voltage | V _{RMS} | 35 | 70 | 140 | 280 | 420 | 560 | 700 | Volts |
| Maximum DC Blocking Voltage | V _{DC} | 50 | 100 | 200 | 400 | 600 | 800 | 1000 | Volts |
| Maximum Average Forward Rectified Current at T _A = 50 °C | I _O | 4.0 | | | | | | | Amps |
| Peak Forward Surge Current 8.3 ms single half sine-wave superimposed on rated load (JEDEC method) | I _{FSM} | 120 | | | | | | | Amps |
| Typical Current Squared Time | I ² t | 60 | | | | | | | A ² /Sec |
| Typical Thermal Resistance (Note 1) | R _{θJC} | 6.0 | | | | | | | °C/W |
| | R _{θJA} | 26 | | | | | | | |
| Operating and Storage Temperature Range | T _J , T _{STG} | -55 to + 150 | | | | | | | °C |

ELECTRICAL CHARACTERISTICS (@T_A=25 °C unless otherwise noted)

| CHARACTERISTICS | SYMBOL | 4RS201M | 4RS202M | 4RS203M | 4RS204M | 4RS205M | 4RS206M | 4RS207M | UNITS |
|--|----------------|--------------------------|---------|---------|---------|---------|---------|---------|-------|
| Maximum Instantaneous Forward Voltage at 4.0A DC | V _F | 1.1 | | | | | | | Volts |
| Maximum DC Reverse Current at Rated DC Blocking Voltage | I _R | @T _A = 25 °C | | | | | | | μAmps |
| | | @T _A = 150 °C | | | | | | | mAmps |

NOTES : 1. Thermal Resistance : Heat-sink case mounted or if PCB mounted.
2. "ROHS compliant".
3. Available in Halogen-free epoxy by adding suffix -HF after the part nbr.

2023-10/111
REV:D

RATING AND CHARACTERISTICS CURVES (4RS201M THRU 4RS207M)

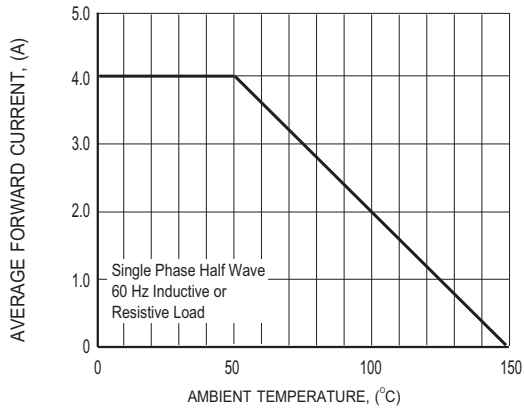


FIG.1 TYPICAL FORWARD CURRENT DERATING CURVE

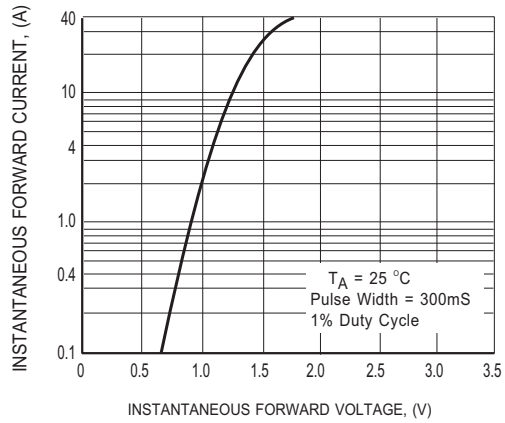


FIG.2 MAXIMUM INSTANTANEOUS FORWARD CHARACTERISTICS

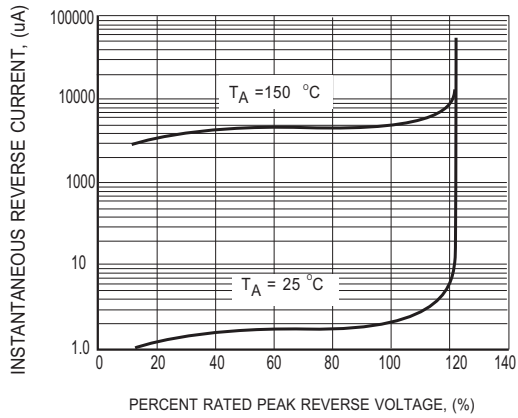


FIG.3 MAXIMUM REVERSE CHARACTERISTICS

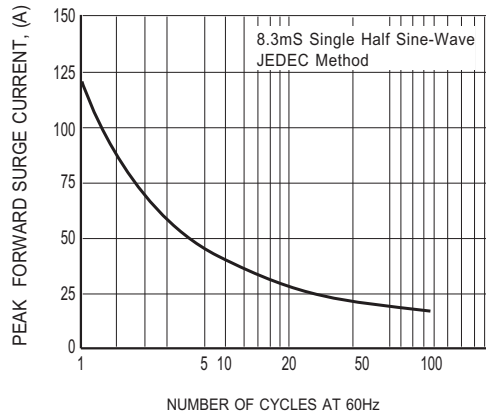
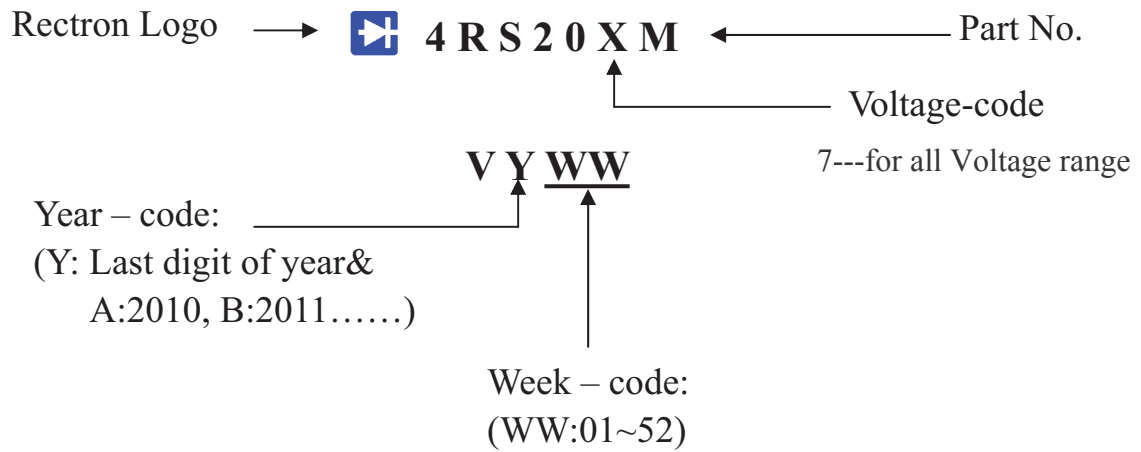


FIG.4 MAXIMUM NON-REPETITIVE FORWARD SURGE CURRENT

Marking Description



PACKAGING OF DIODE AND BRIDGE RECTIFIERS

TUBE PACK

| PACKAGE | PACKING CODE | EA PER BOX | INNER BOX SIZE (mm) | CARTON SIZE (mm) | EA PER CARTON | WEIGHT(Kg) |
|---------|--------------|------------|------------------------|---------------------|---------------|------------|
| RS-2M | -C | 1,000 | 448*158*65 | 465*335*155 | 4,000 | 15.00 |