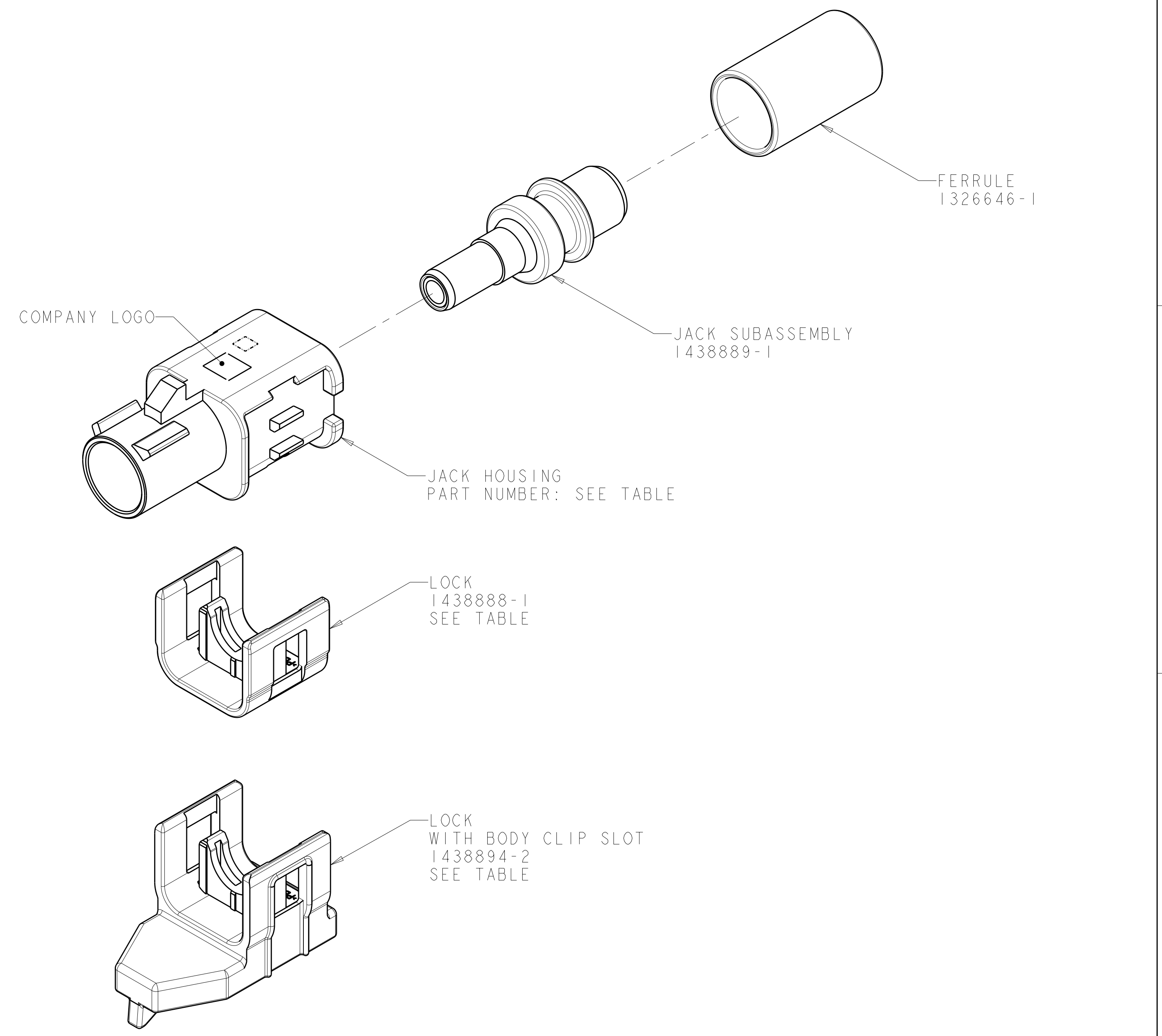
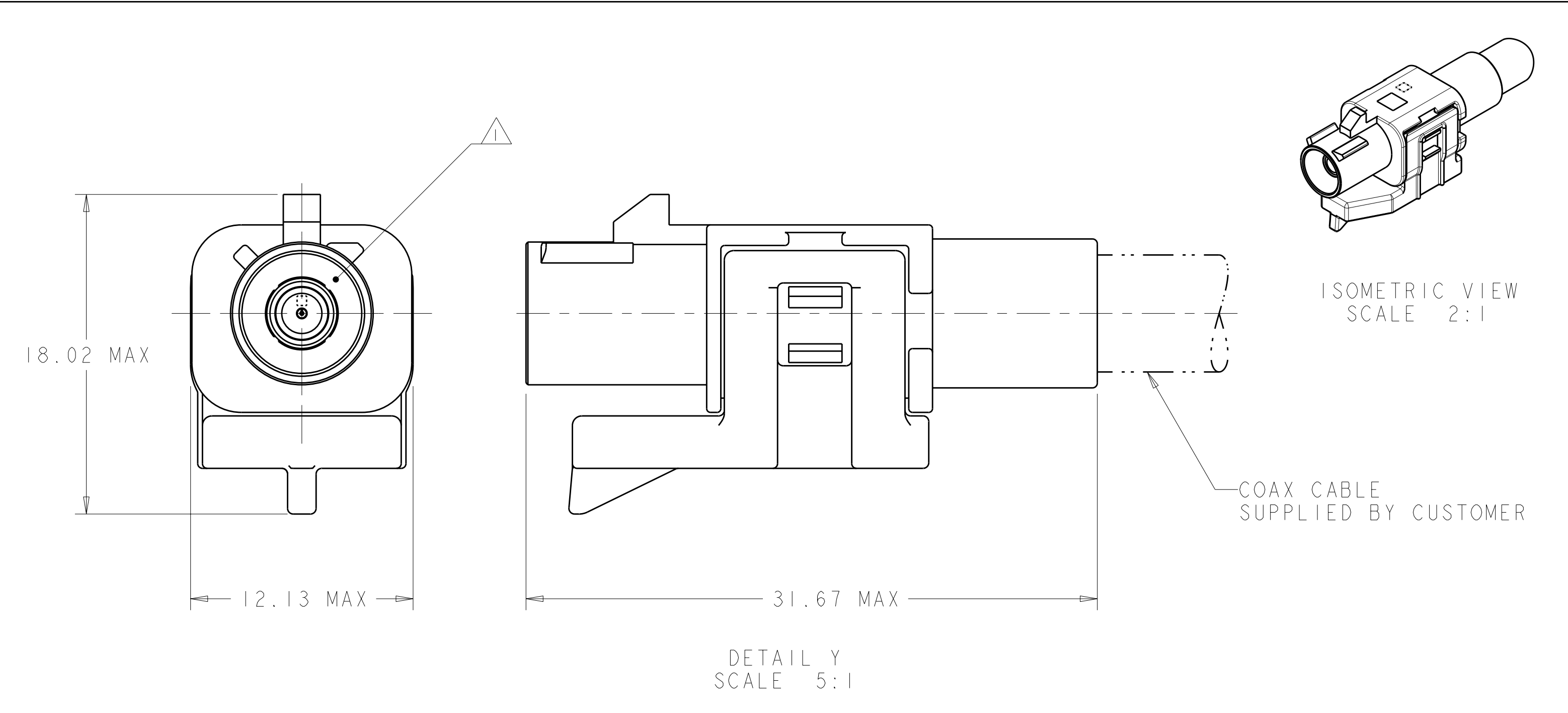
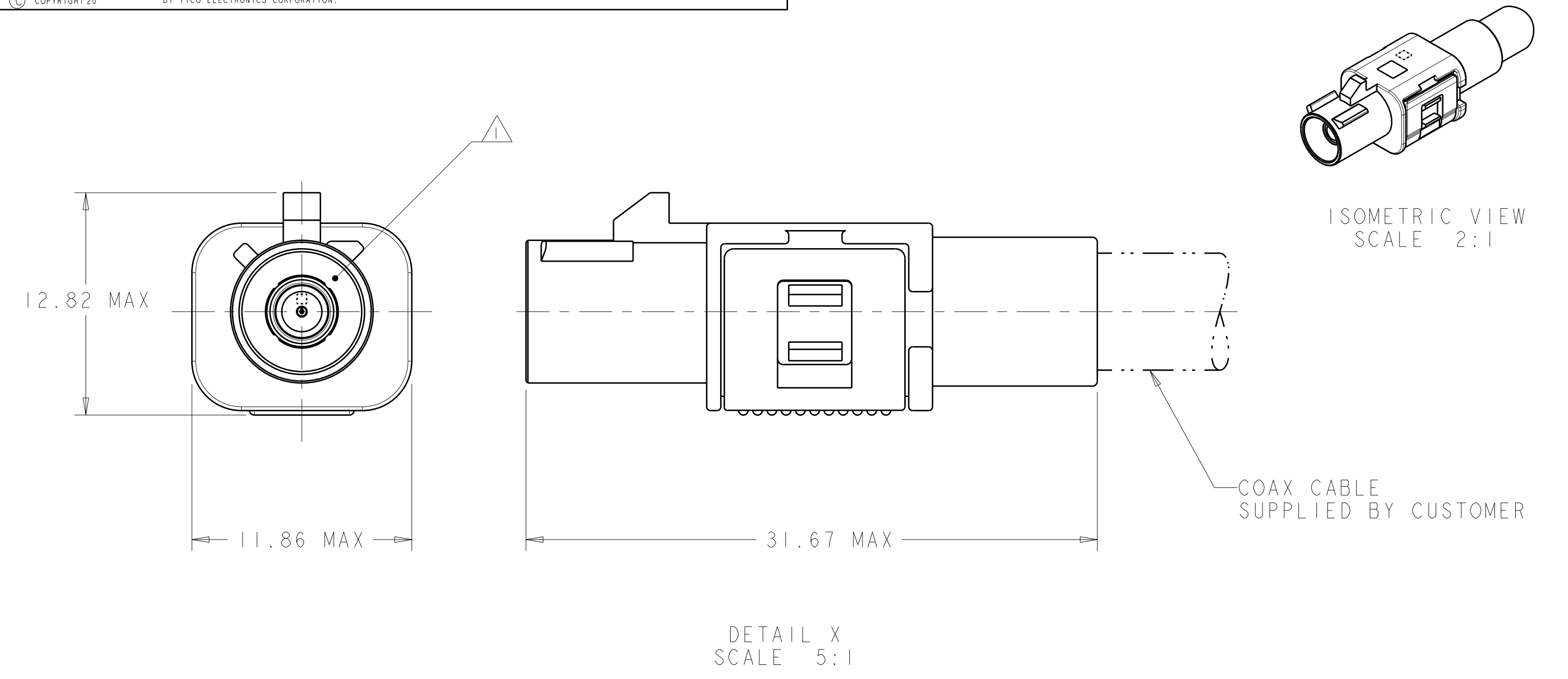
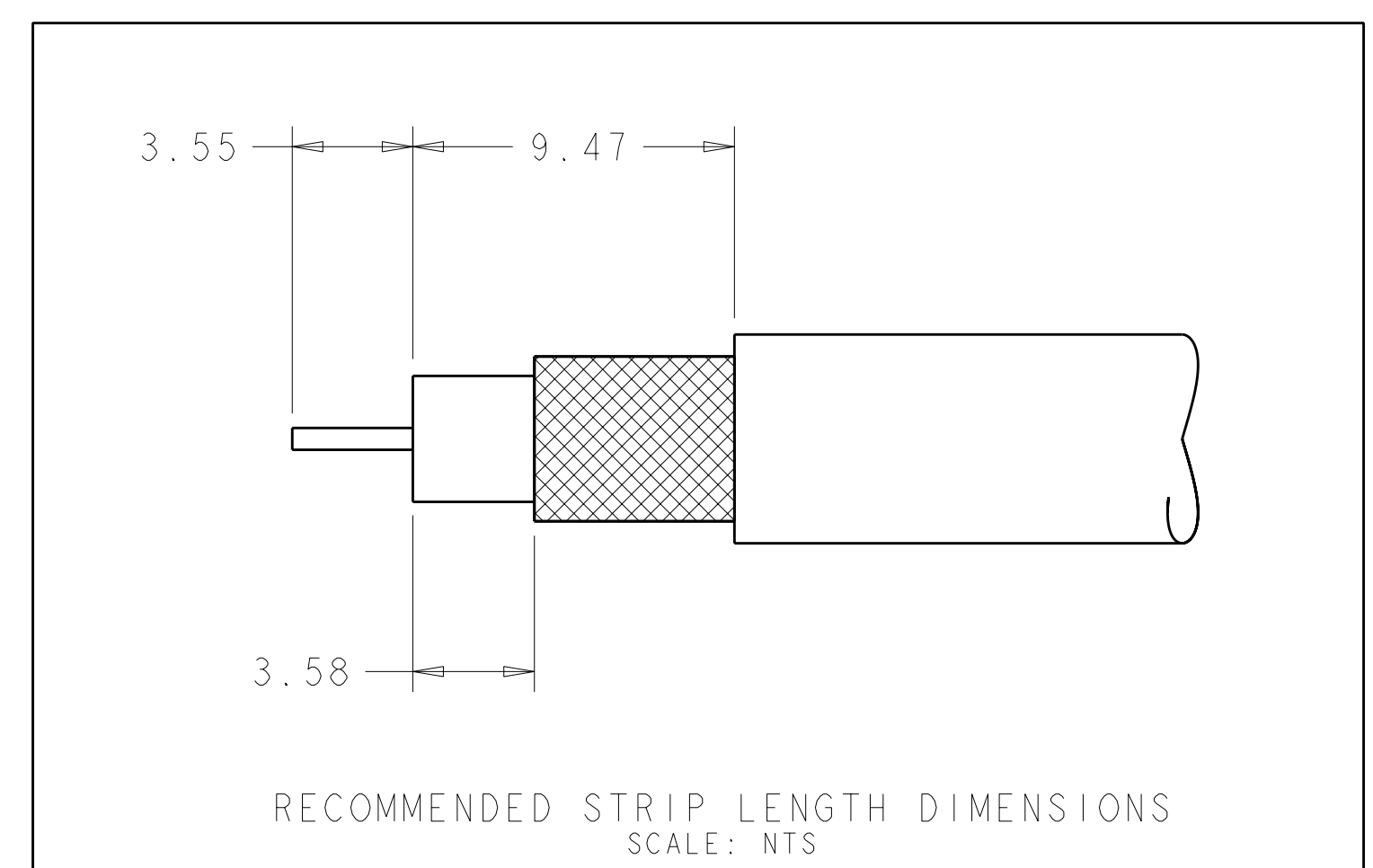


| LOC | DIST | REV | DATE | BY | APPD |
|-----|------|-----|-----------|-----|------|
| IN | 00 | E | 05JUN2007 | AH | LLV |
| | | E1 | 30JUN2010 | DLD | LLV |



△ JACK INTERFACE PER DIN 72594-1, ROAD VEHICLES - RADIO FREQUENCY INTERFACE - DIMENSIONS AND ELECTRICAL REQUIREMENTS.

- JACK SUBASSEMBLY WILL ACCEPT RG-62 COAXIAL CABLE.
- SEE INSTRUCTION SHEET 408-10028.
- SPACER 1274233-2 MUST BE PURCHASED SEPERATELY.
- PIN CONTACT 1438890-8 MUST BE PURCHASED SEPERATELY.

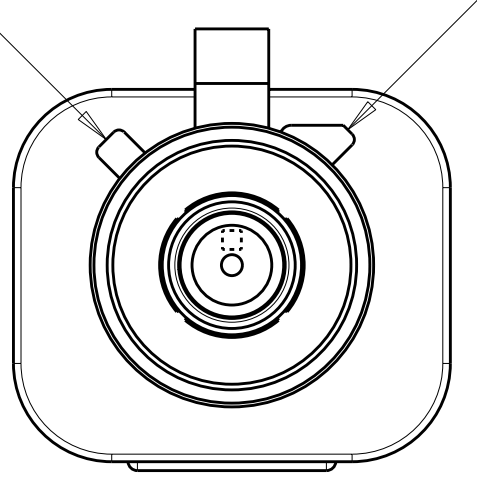


| PER DETAIL | PER DETAIL | KEYING | CODING | LOCK COLOR | LOCK PART NUMBER | HOUSING COLOR | JACK HOUSING PART NUMBER | PART NUMBER |
|--------------|--------------|--------|--------|------------|------------------|---------------|--------------------------|-------------|
| PER DETAIL Y | PER DETAIL K | K | GRAY | 1438894-2 | CURRY | 1-1438887-0 | 6-1438891-0 | |
| PER DETAIL Y | PER DETAIL H | H | GRAY | 1438894-2 | HEATHER VIOLET | 1438887-8 | 5-1438891-8 | |
| PER DETAIL Y | PER DETAIL D | D | GRAY | 1438894-2 | CLARET VIOLET | 1438887-4 | 5-1438891-4 | |
| PER DETAIL Y | PER DETAIL C | C | GRAY | 1438894-2 | SIGNAL BLUE | 1438887-3 | 5-1438891-3 | |
| PER DETAIL Y | PER DETAIL B | B | GRAY | 1438894-2 | SIGNAL WHITE | 1438887-2 | 5-1438891-2 | |
| PER DETAIL Y | PER DETAIL A | A | GRAY | 1438894-2 | JET BLACK | 1438887-1 | 5-1438891-1 | |
| PER DETAIL X | PER DETAIL K | K | RED | 1438888-1 | CURRY | 1-1438887-0 | 1-1438891-0 | |
| PER DETAIL X | PER DETAIL H | H | RED | 1438888-1 | HEATHER VIOLET | 1438887-8 | 1438891-8 | |
| PER DETAIL X | PER DETAIL D | D | RED | 1438888-1 | CLARET VIOLET | 1438887-4 | 1438891-4 | |
| PER DETAIL X | PER DETAIL C | C | RED | 1438888-1 | SIGNAL BLUE | 1438887-3 | 1438891-3 | |
| PER DETAIL X | PER DETAIL B | B | RED | 1438888-1 | SIGNAL WHITE | 1438887-2 | 1438891-2 | |
| PER DETAIL X | PER DETAIL A | A | RED | 1438888-1 | JET BLACK | 1438887-1 | 1438891-1 | |

| | | | |
|-----------------------|--|---|---|
| DIMENSIONS: mm | TOLERANCES UNLESS OTHERWISE SPECIFIED: 9 PLC ± 1 PLC ±0.25 5 PLC ± 4 PLC ± ANGLES ± FINISH | DWN: D.J. HARDY 03JAN2005 CHK: J.W. HALL 13JAN2005 APVD: J.W. HALL 13JAN2005 NAME: Tyco Electronics Harrisburg, PA 17105-3608 PRODUCT SPEC: APPLICATION SPEC: 114-13157 WEIGHT: CUSTOMER DRAWING | Tyco Electronics Harrisburg, PA 17105-3608 JACK KIT, UNASSEMBLED, 1 POSITION, RG-62, 180 DEGREE, FAKRA, SMB SIZE: CAGE CODE: DRAWING NO: 00779 C=1438891 SHEET 1 OF 2 REV: E1 |
|-----------------------|--|---|---|

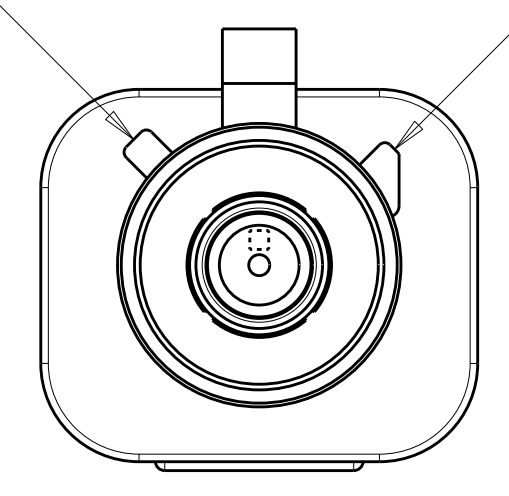
| LOC | DIST | REVISIONS | | | |
|-----|------|-------------|------|-----|------|
| P | LTB | DESCRIPTION | DATE | DWN | APVD |
| - | - | SEE SHEET 1 | - | - | - |
| | | | | | |
| | | | | | |

CODING RIB A CODING RIB B1



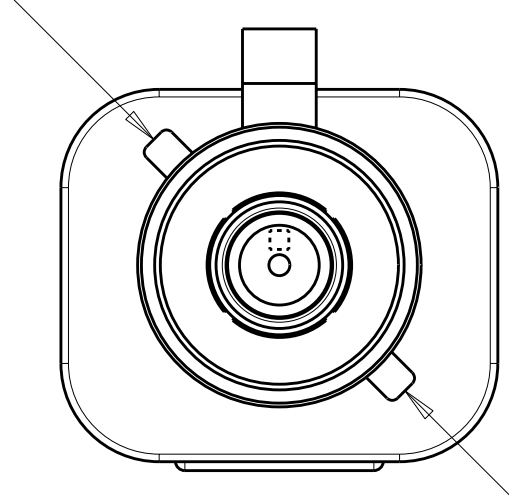
DETAIL A
SCALE 5:1

CODING RIB A CODING RIB B2



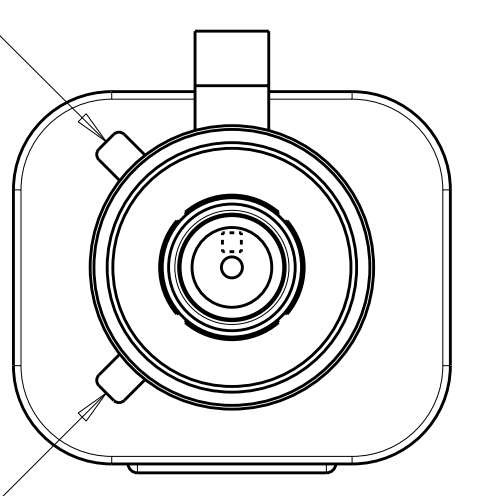
DETAIL B
SCALE 5:1

CODING RIB A CODING RIB C



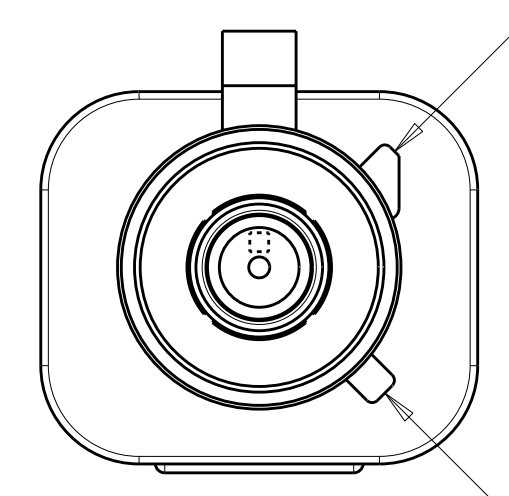
DETAIL C
SCALE 5:1

CODING RIB A



DETAIL D
SCALE 5:1

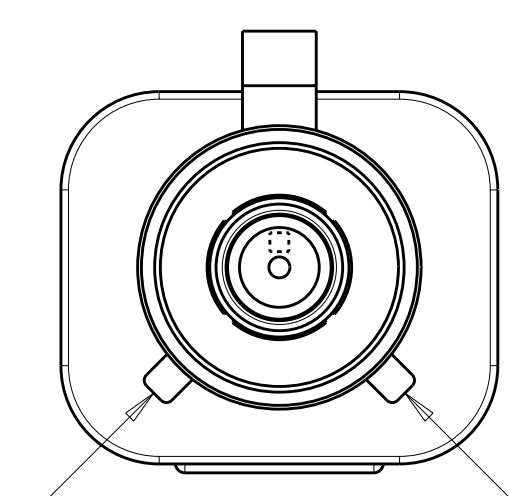
CODING RIB B2



DETAIL H
SCALE 5:1

CODING RIB D

CODING RIB D



DETAIL K
SCALE 5:1

| | | | |
|---|--|---|---|
| <small>THIS DRAWING IS UNPUBLISHED. RELEASED FOR PUBLICATION 20 © COPYRIGHT 20 BY TYCO ELECTRONICS CORPORATION, ALL RIGHTS RESERVED.</small> | | DWN: D. J. HARDY 03JAN2005 CHK: J. W. HALL 13JAN2005 APVD: J. W. HALL 13JAN2005 | Tyco Electronics Harrisburg, PA 17105-3608 |
| DIMENSIONS: mm | | TOLERANCES UNLESS OTHERWISE SPECIFIED: 9 PLC ± 1 PLC ± 2 PLC ±0.25 3 PLC ± 4 PLC ± ANGLES ± FINISH | NAME: JACK KIT, UNASSEMBLED, 1 POSITION, RG-62, 180 DEGREE, FAKRA, SMB PRODUCT SPEC: APPLICATION SPEC: 114-13157 WEIGHT: CUSTOMER DRAWING |
| MATERIAL: | | SIZE: A CAGE CODE: 00779 DRAWING NO: C-1438891 | RESTRICTED TO: SCALE: 5:1 SHEET 2 OF 2 REV: E |