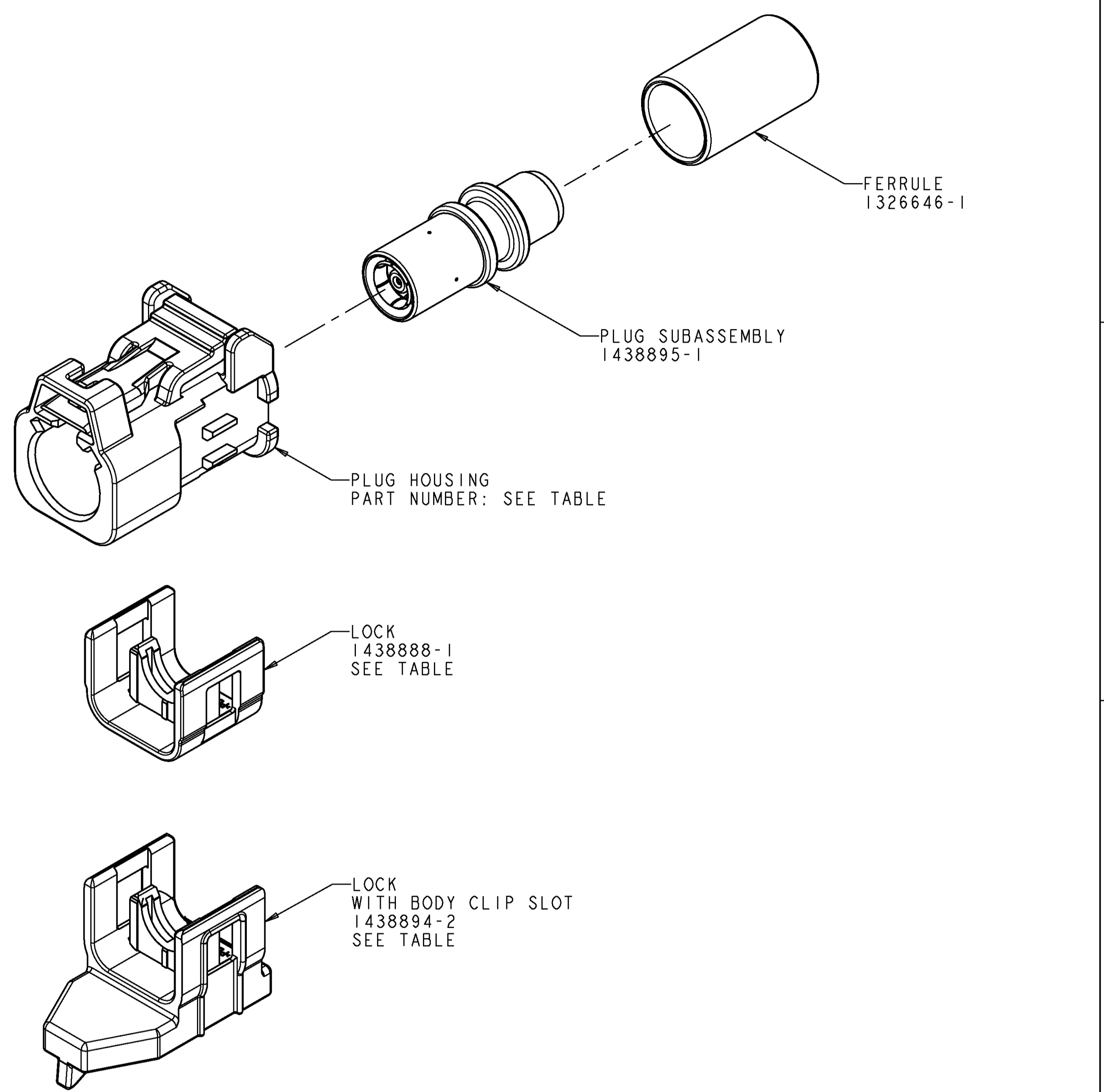
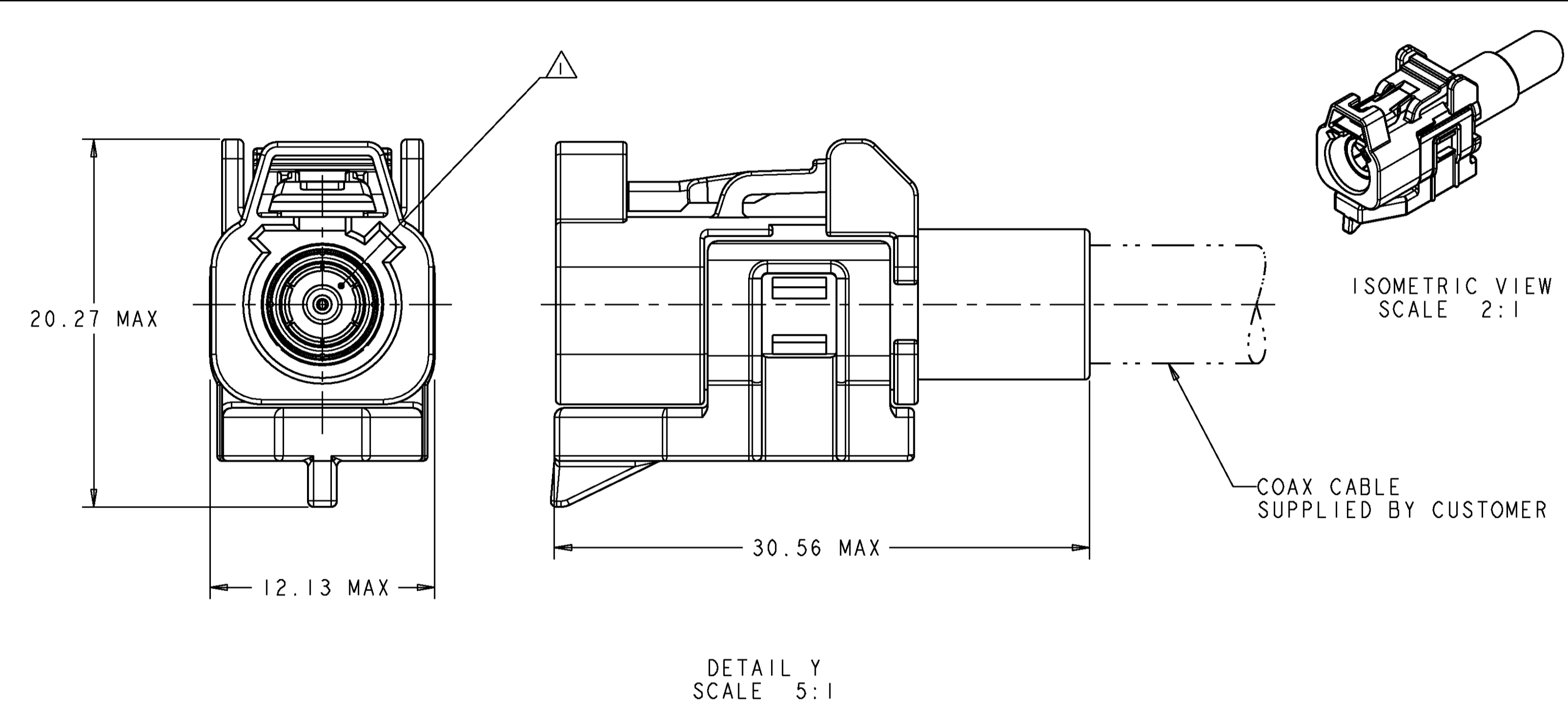
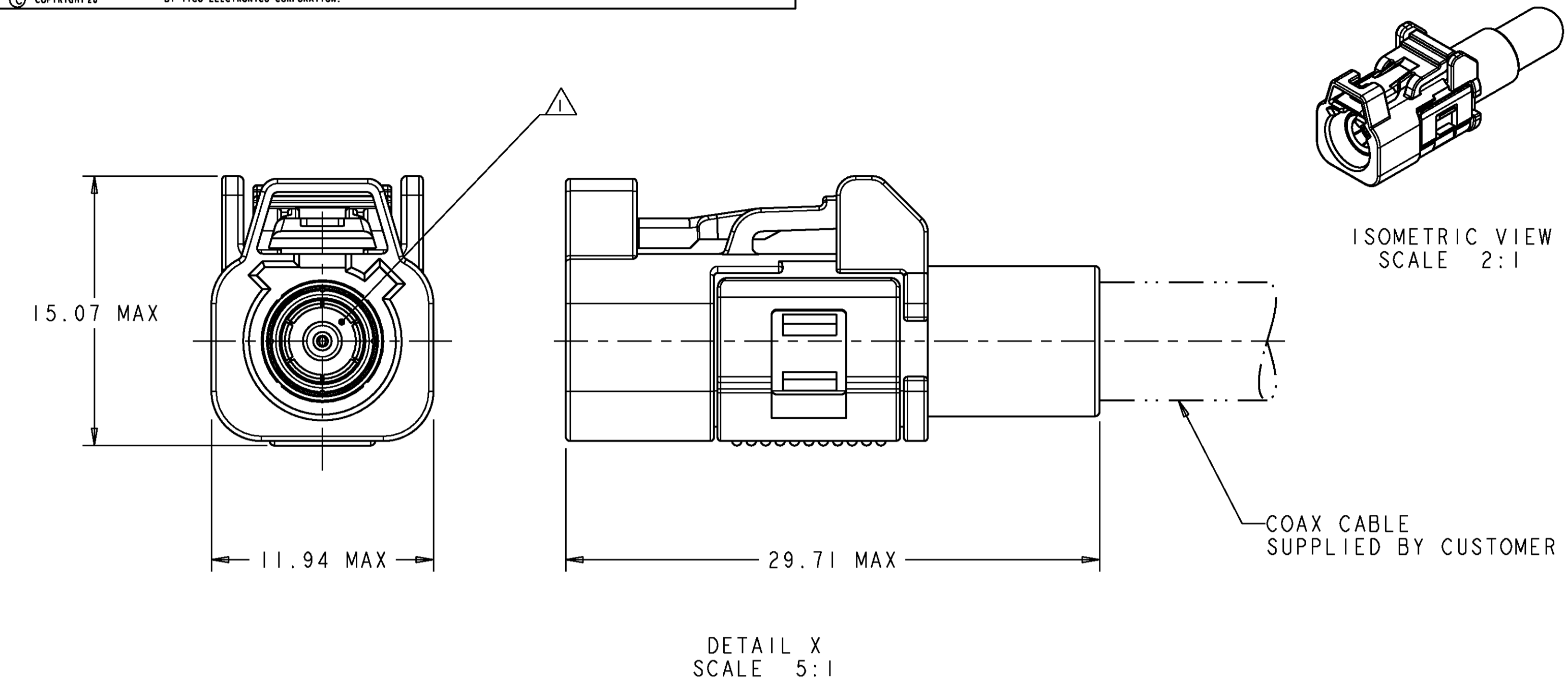
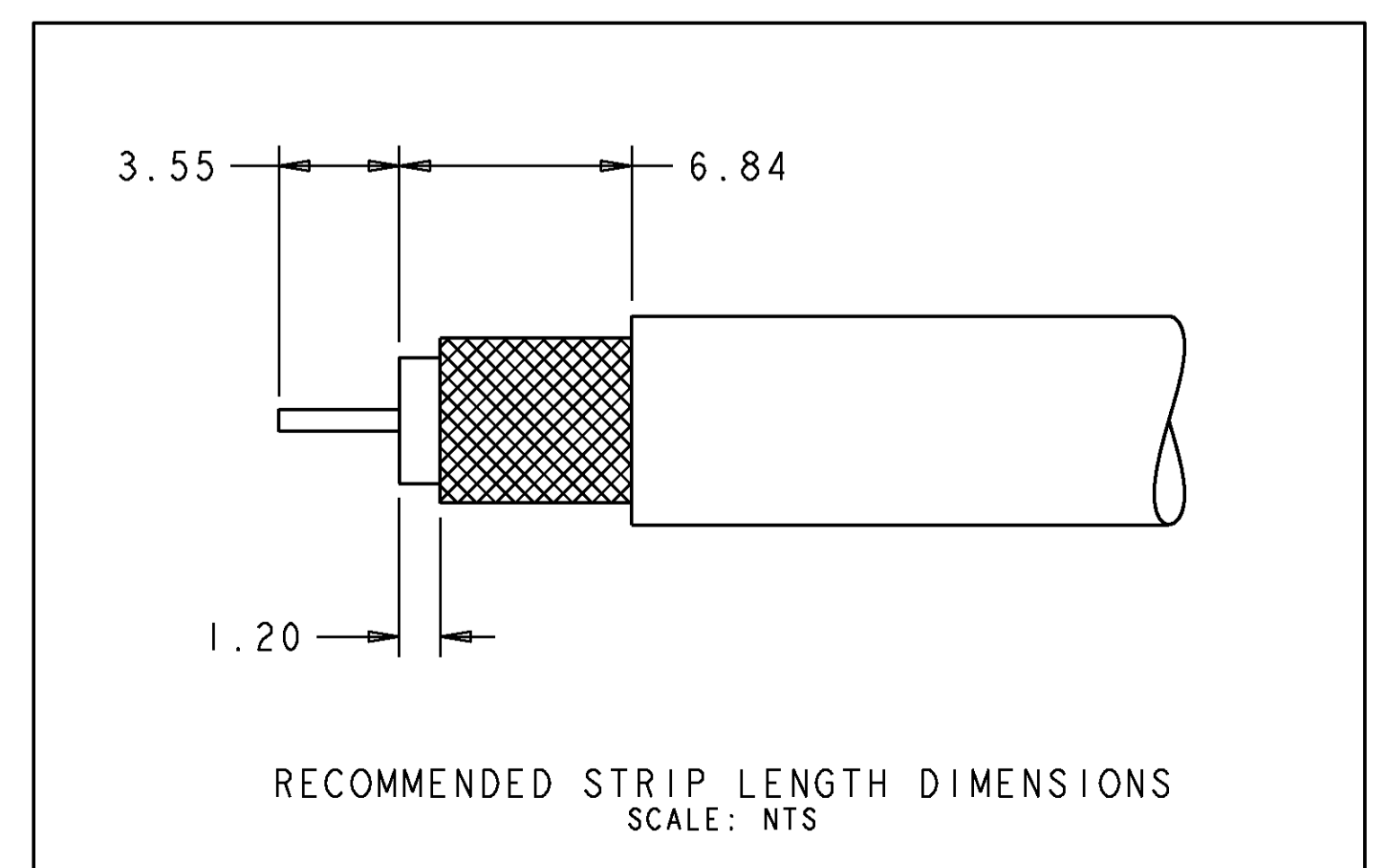


LOC	DIST	REV	DESCRIPTION	DATE	BY	APP'D
IN	00					
A			RELEASED PER ECO-05-6684	28AUG2005	DJH	JMR
B			REVISED PER ECO-05-15405	05DEC2005	DJH	JMR
C			REVISED PER ECO-06-2101	13MAR2006	DJH	JMR
D			REVISED PER ECR-07-012944	05JUN2007	AH	LV



⚠ PLUG ACCEPTS JACKS MEETING DIN 72594-1, ROAD VEHICLES - RADIO FREQUENCY INTERFACE - DIMENSIONS AND ELECTRICAL REQUIREMENTS.

2. PLUG SUBASSEMBLY WILL ACCEPT RG-62 COAXIAL CABLE.
3. SEE INSTRUCTION SHEET 408-10028.
4. SPACER 1274233-2 MUST BE PURCHASED SEPERATELY.
5. SOCKET CONTACT 1438896-4 MUST BE PURCHASED SEPERATELY.



PER DETAIL Y	PER DETAIL K	K	GRAY	1438894-2	CURRY	1-1438893-0	6-1438897-0
PER DETAIL Y	PER DETAIL H	H	GRAY	1438894-2	HEATHER VIOLET	1438893-8	5-1438897-8
PER DETAIL Y	PER DETAIL D	D	GRAY	1438894-2	CLARET VIOLET	1438893-4	5-1438897-4
PER DETAIL Y	PER DETAIL C	C	GRAY	1438894-2	SIGNAL BLUE	1438893-3	5-1438897-3
PER DETAIL Y	PER DETAIL B	B	GRAY	1438894-2	SIGNAL WHITE	1438893-2	5-1438897-2
PER DETAIL Y	PER DETAIL A	A	GRAY	1438894-2	JET BLACK	1438893-1	5-1438897-1
PER DETAIL X	PER DETAIL K	K	RED	1438888-1	CURRY	1-1438893-0	1-1438897-0
PER DETAIL X	PER DETAIL H	H	RED	1438888-1	HEATHER VIOLET	1438893-8	1438897-8
PER DETAIL X	PER DETAIL D	D	RED	1438888-1	CLARET VIOLET	1438893-4	1438897-4
PER DETAIL X	PER DETAIL C	C	RED	1438888-1	SIGNAL BLUE	1438893-3	1438897-3
PER DETAIL X	PER DETAIL B	B	RED	1438888-1	SIGNAL WHITE	1438893-2	1438897-2
PER DETAIL X	PER DETAIL A	A	RED	1438888-1	JET BLACK	1438893-1	1438897-1
ASSEMBLY	KEYING	CODING	LOCK COLOR	LOCK PART NUMBER	HOUSING COLOR	PLUG HOUSING PART NUMBER	PART NUMBER

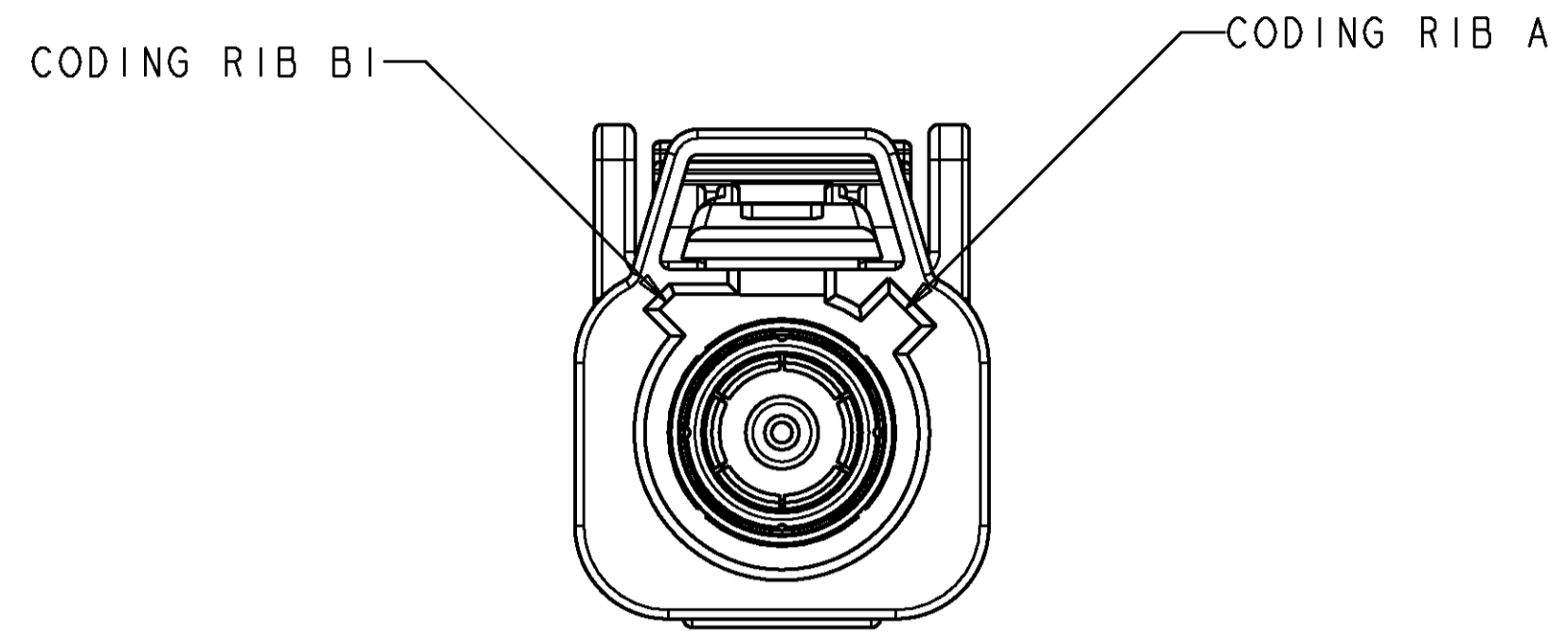
DIMENSIONS: mm
 TOLERANCES UNLESS OTHERWISE SPECIFIED:
 0 PLC ±
 1 PLC ±0.25
 2 PLC ±
 3 PLC ±
 4 PLC ±
 ANGLES ±
 MATERIAL: - FINISH: -

DWG: D. J. HARDY 04JAN2005
 CHK: J. W. HALL 14JAN2005
 APP'D: J. W. HALL 14JAN2005
 PRODUCT SPEC: -
 APPLICATION SPEC: -
 WEIGHT: 114-13157
 CUSTOMER DRAWING: -

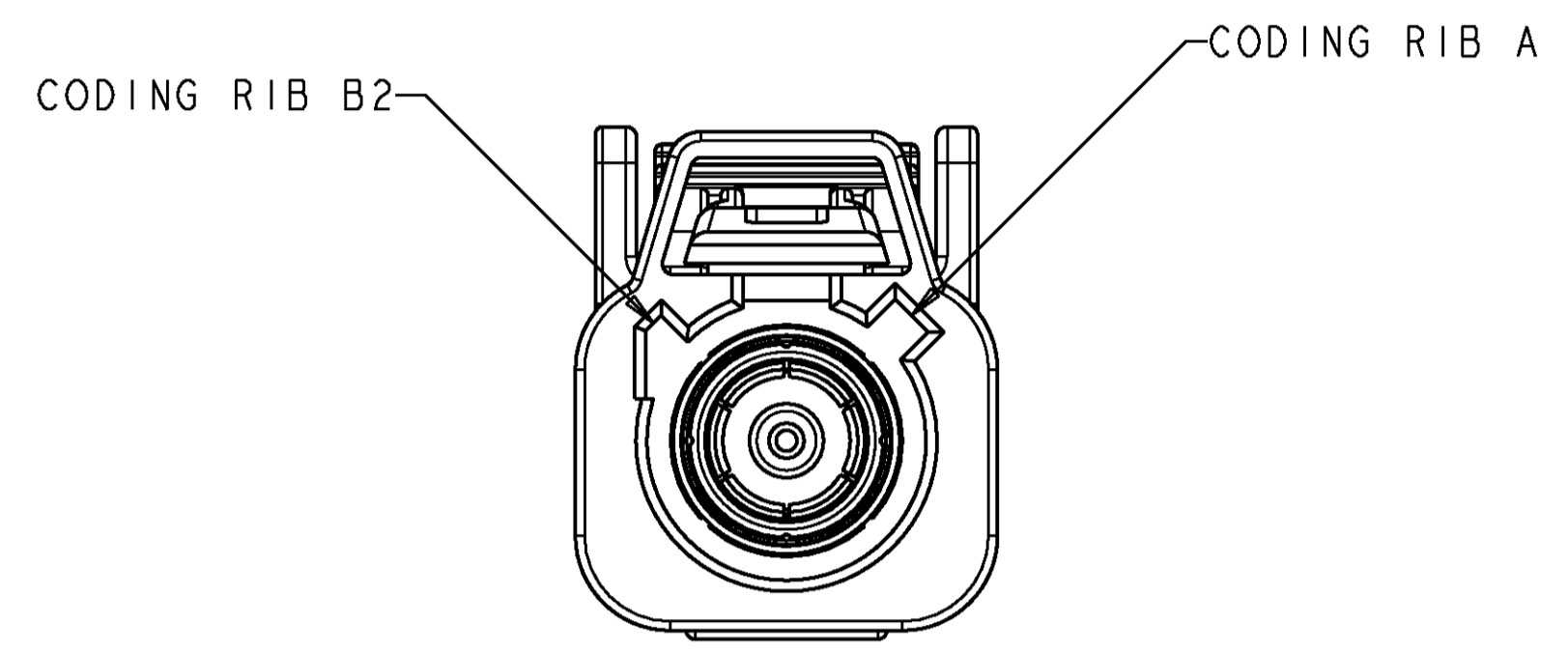
Tyco Electronics
 Harrisburg, PA 17105-3608
 NAME: PLUG KIT, UNASSEMBLED, 1 POSITION, RG-62, 180 DEGREE, FAKRA, SMB
 SIZE: A1 CAGE CODE: 00779 DRAWING NO: 1438897
 SCALE: 4:1 SHEET 1 OF 2 REV D

THIS DRAWING IS UNPUBLISHED. RELEASED FOR PUBLICATION
 BY TYCO ELECTRONICS CORPORATION. ALL RIGHTS RESERVED.

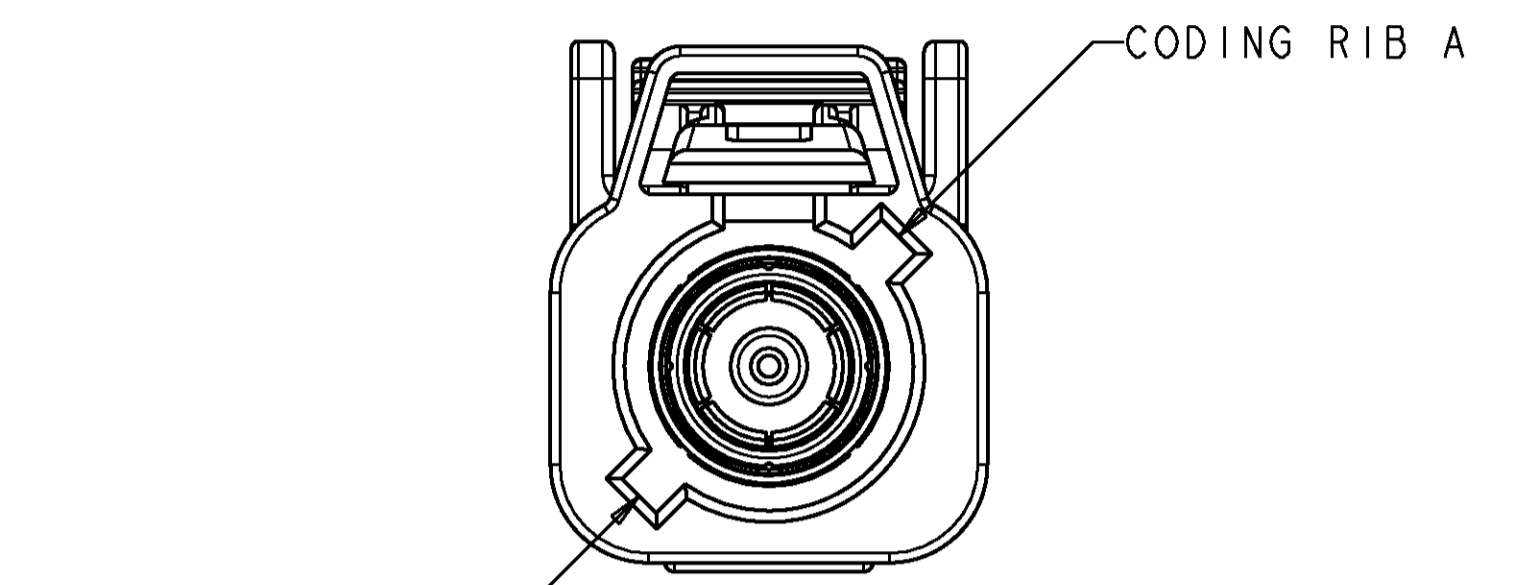
LOC		DIST		REVISIONS					
1	N	0	0	P	LYR	DESCRIPTION	DATE	DWN	APVD
-	-	-	-	-	-	SEE SHEET 1	-	-	-



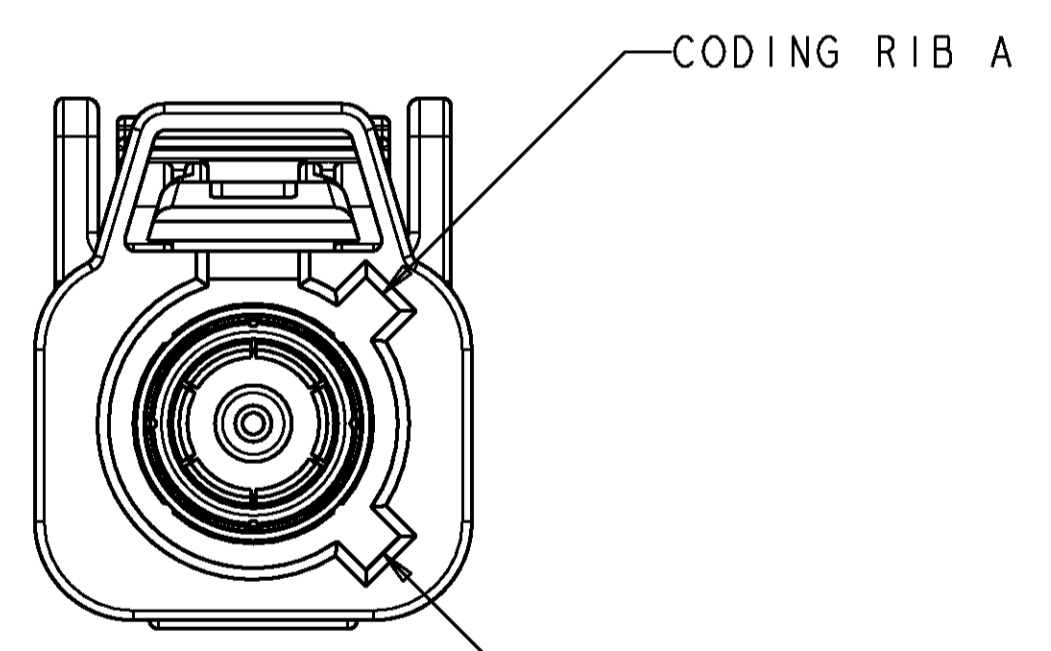
DETAIL A
SCALE 5:1



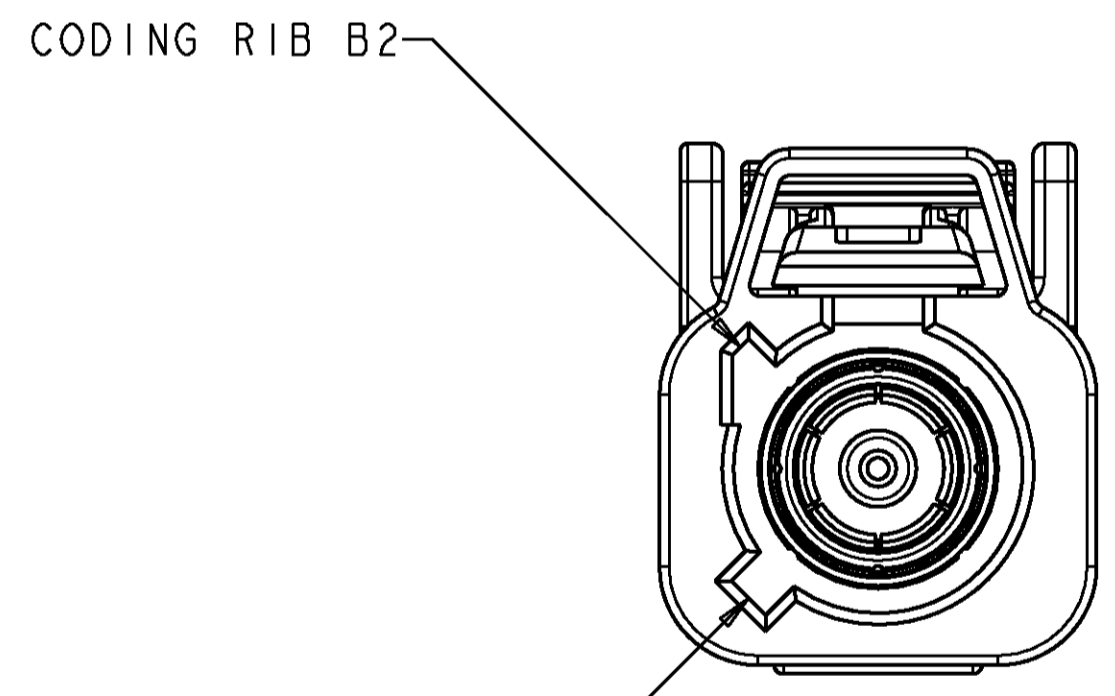
DETAIL B
SCALE 5:1



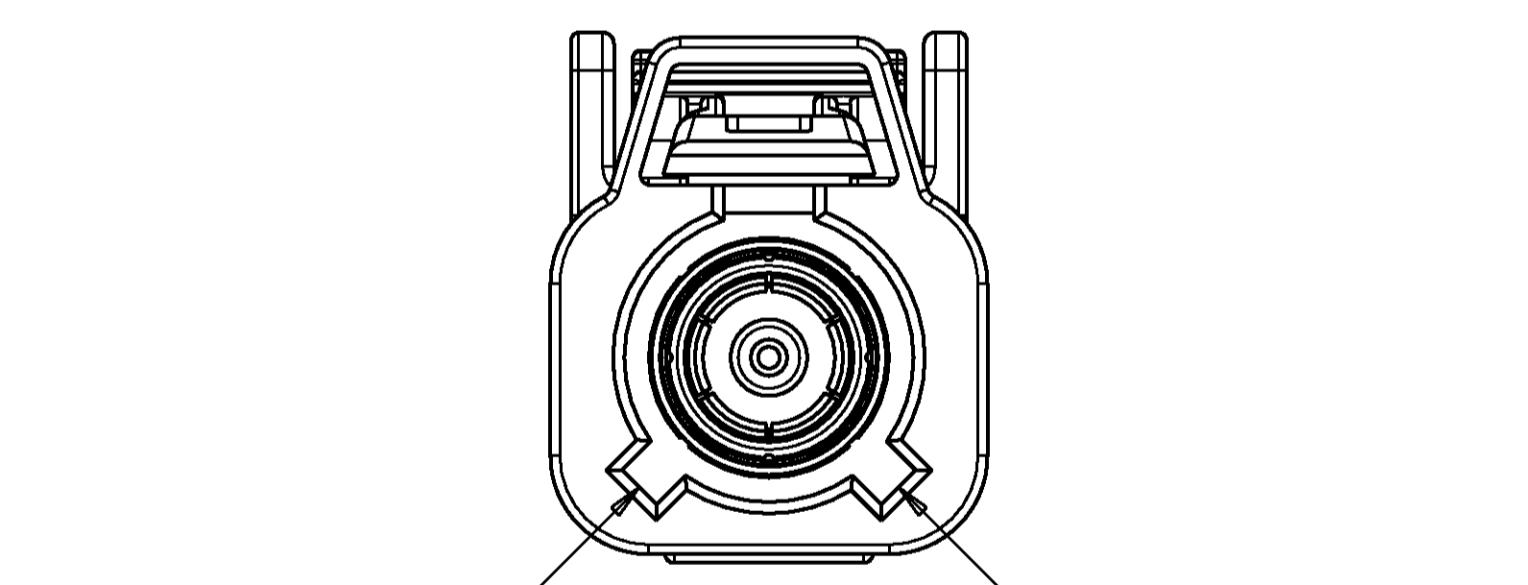
DETAIL C
SCALE 5:1



DETAIL D
SCALE 5:1



DETAIL H
SCALE 5:1



DETAIL K
SCALE 5:1

<small>THE DRAWING IS CONTROLLED THROUGHOUT THE PRODUCTIVE CYCLE. ANY CHANGES TO THE DRAWING MUST BE APPROVED BY THE DESIGN ENGINEER AND THE QUALITY ASSURANCE DEPARTMENT. ANY UNAPPROVED CHANGES WILL BE CONSIDERED AS THE LATEST REVISION.</small>		DWN D. J. HARDY 14JAN2005 CHK J. W. HALL 14JAN2005 APVD J. W. HALL 14JAN2005	Tyco Electronics Harrisburg, PA 17105-3608
DIMENSIONS: mm 	TOLERANCES UNLESS OTHERWISE SPECIFIED: 0 PLC ± 1 PLC ± 2 PLC ±0.25 3 PLC ± 4 PLC ± ANGLES ± FINISH	NAME PLUG KIT, UNASSEMBLED, 1 POSITION, RG-62, 180 DEGREE, FAKRA, SMB PRODUCT SPEC - APPLICATION SPEC - WEIGHT - CUSTOMER DRAWING	SIZE A CAGE CODE 00779 DRAWING NO 1438897 RESTRICTED TO - SCALE 4:1 SHEET 2 OF 2 REV D