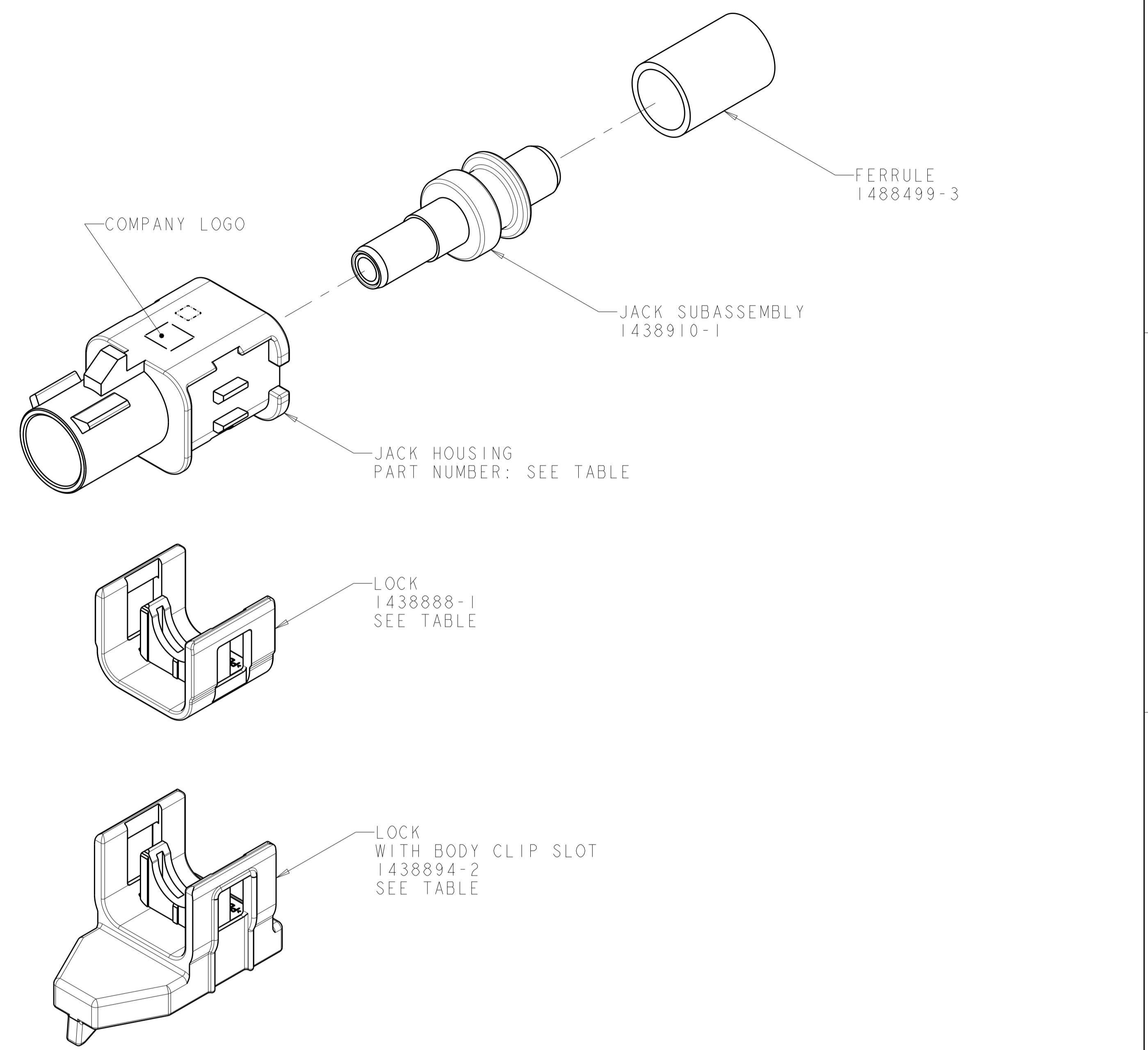
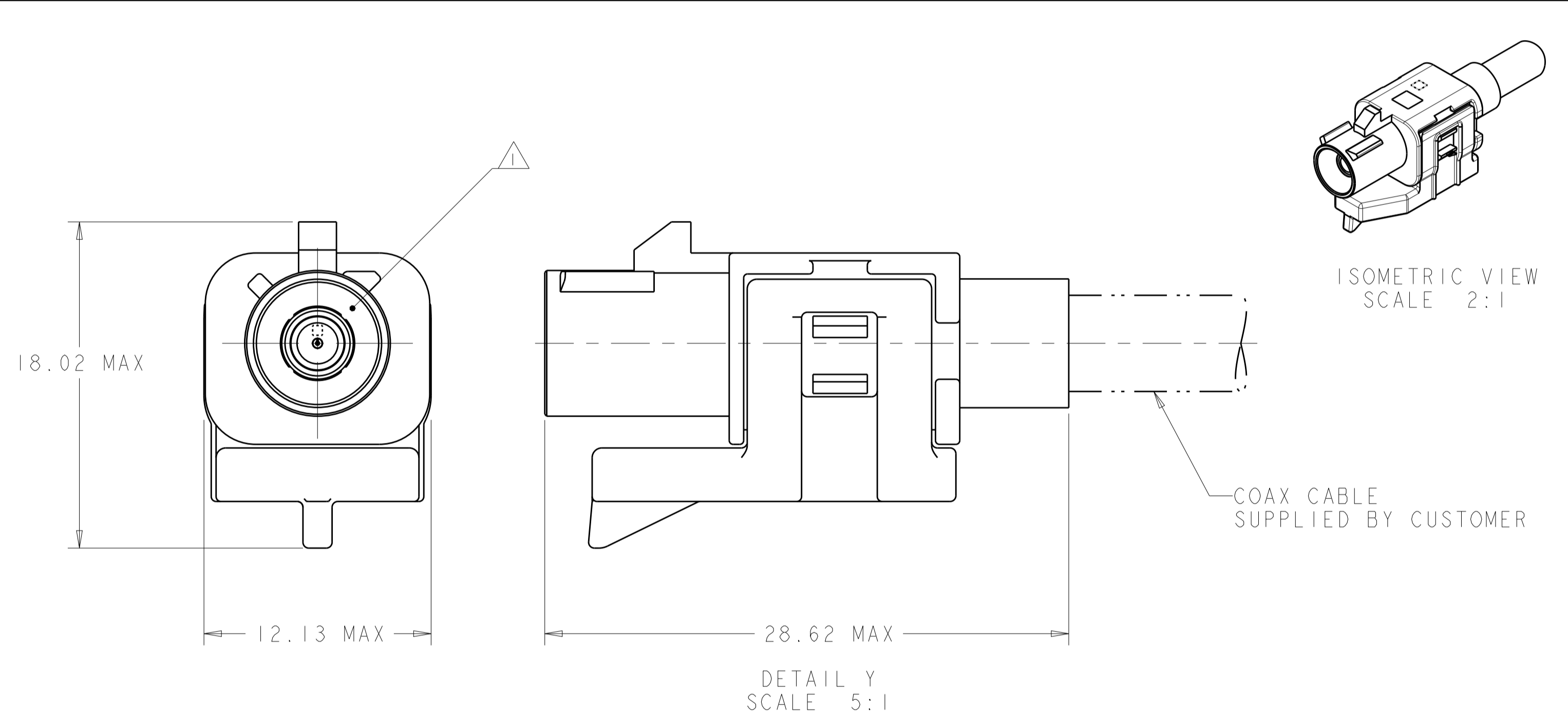
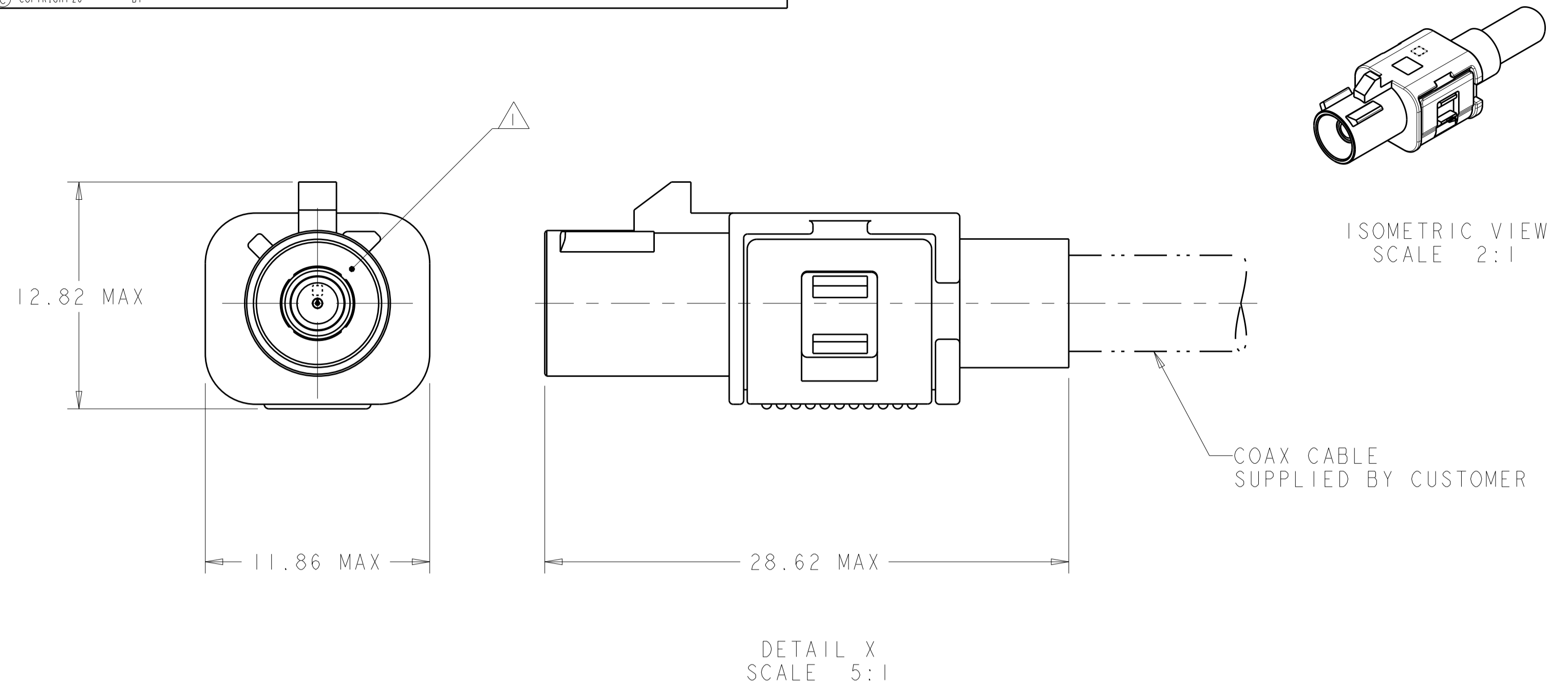
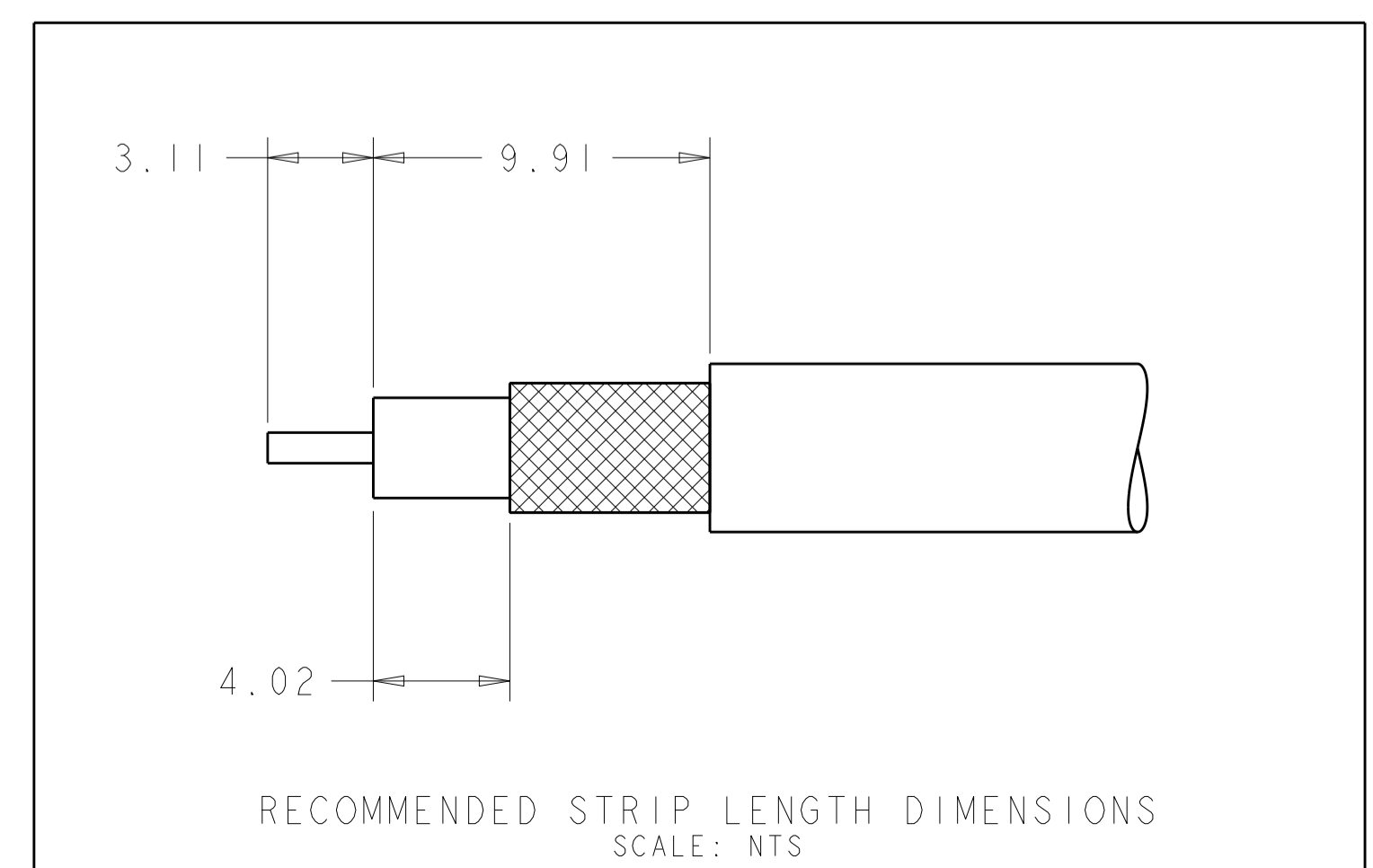


| REVISIONS | | | | | |
|-----------|---------------|-------------|-----------|------|-------|
| P. | LTN. | DESCRIPTION | DATE | OWN. | APVD. |
| F2 | ECO-14-009247 | | 18JUN2014 | KP | LLV |
| | | | | | |
| | | | | | |



- ▲ JACK INTERFACE PER DIN 72594-1, ROAD VEHICLES - RADIO FREQUENCY INTERFACE - DIMENSIONS AND ELECTRICAL REQUIREMENTS.
- JACK SUBASSEMBLY WILL ACCEPT M17/28-RG58 COAXIAL CABLE PER MIL-C-17 AND LOW LOSS RG58 TYPE ANDREW CORPORATION PART NUMBER 910046A000. ALSO, ACCEPTS MINI 59 TYPE CABLE.
 - SEE INSTRUCTION SHEET 408-10028.
 - PIN CONTACT 1438890-7 MUST BE PURCHASED SEPARATELY FOR USE WITH RG58 AND RG58LL CABLE. PIN CONTACT 1438890-8 MUST BE PURCHASED SEPARATELY FOR USE WITH MINI 59 CABLE.



| PER DETAIL Y | PER DETAIL K | K | GRAY | 1438894-2 | CURRY | 1-1438887-0 | 6-1438911-0 |
|--------------|--------------|--------|------------|------------------|----------------|--------------------------|-------------|
| PER DETAIL Y | PER DETAIL H | H | GRAY | 1438894-2 | HEATHER VIOLET | 1438887-8 | 5-1438911-8 |
| PER DETAIL Y | PER DETAIL G | G | GRAY | 1438894-2 | BLUE GRAY | 1438887-7 | 5-1438911-7 |
| PER DETAIL Y | PER DETAIL F | F | GRAY | 1438894-2 | NUT BROWN | 1438887-6 | 5-1438911-6 |
| PER DETAIL Y | PER DETAIL E | E | GRAY | 1438894-2 | LEAF GREEN | 1438887-5 | 5-1438911-5 |
| PER DETAIL Y | PER DETAIL D | D | GRAY | 1438894-2 | CLARET VIOLET | 1438887-4 | 5-1438911-4 |
| PER DETAIL Y | PER DETAIL C | C | GRAY | 1438894-2 | SIGNAL BLUE | 1438887-3 | 5-1438911-3 |
| PER DETAIL Y | PER DETAIL B | B | GRAY | 1438894-2 | SIGNAL WHITE | 1438887-2 | 5-1438911-2 |
| PER DETAIL Y | PER DETAIL A | A | GRAY | 1438894-2 | JET BLACK | 1438887-1 | 5-1438911-1 |
| PER DETAIL X | PER DETAIL K | K | RED | 1438888-1 | CURRY | 1-1438887-0 | 1-1438911-0 |
| PER DETAIL X | PER DETAIL H | H | RED | 1438888-1 | HEATHER VIOLET | 1438887-8 | 1438911-8 |
| PER DETAIL X | PER DETAIL G | G | RED | 1438888-1 | BLUE GRAY | 1438887-7 | 1438911-7 |
| PER DETAIL X | PER DETAIL F | F | RED | 1438888-1 | NUT BROWN | 1438887-6 | 1438911-6 |
| PER DETAIL X | PER DETAIL E | E | RED | 1438888-1 | LEAF GREEN | 1438887-5 | 1438911-5 |
| PER DETAIL X | PER DETAIL D | D | RED | 1438888-1 | CLARET VIOLET | 1438887-4 | 1438911-4 |
| PER DETAIL X | PER DETAIL C | C | RED | 1438888-1 | SIGNAL BLUE | 1438887-3 | 1438911-3 |
| PER DETAIL X | PER DETAIL B | B | RED | 1438888-1 | SIGNAL WHITE | 1438887-2 | 1438911-2 |
| PER DETAIL X | PER DETAIL A | A | RED | 1438888-1 | JET BLACK | 1438887-1 | 1438911-1 |
| ASSEMBLY | KEYING | CODING | LOCK COLOR | LOCK PART NUMBER | HOUSING COLOR | JACK HOUSING PART NUMBER | PART NUMBER |

THIS DRAWING IS A CONTROLLED DOCUMENT.

OWN: D.J. HARDY 03JAN2005
 CHG: J.W. HALL 26JAN2005
 APVD: J.W. HALL 26JAN2006

DIMENSIONS: mm
 TOLERANCES UNLESS OTHERWISE SPECIFIED:
 0 PLC ±
 1 PLC ±0.25
 2 PLC ±
 3 PLC ±
 4 PLC ±
 ANGLES FINISH

MATERIAL: -
 FINISH: -

PRODUCT SPEC: -
 APPLICATION SPEC: -
 WEIGHT: 114-13157
 CUSTOMER DRAWING

NAME: JACK KIT, UNASSEMBLED, 1 POSITION, MINI 59, RG-58 OR RG-58 LL, FAKRA, SMB
 SIZE: A1
 CAGE CODE: -
 DRAWING NO: 1438911
 SHEET 1 OF 2
 REV F2

SCALE: 4:1

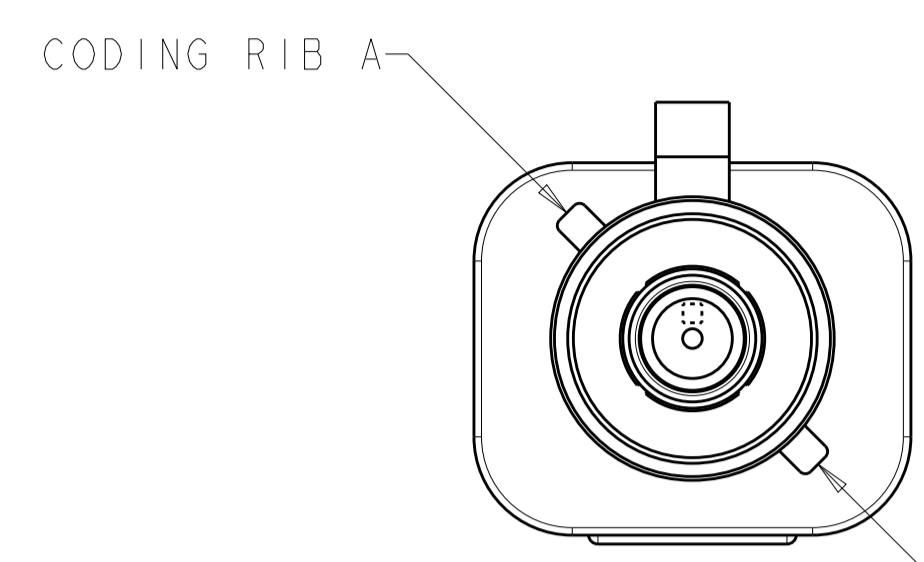
| REVISIONS | | | | |
|-----------|-----|-------------|------|------|
| P. | LTN | DESCRIPTION | DATE | APVD |
| - | - | SEE SHEET 1 | - | - |
| | | | | |
| | | | | |



DETAIL A
SCALE 5:1



DETAIL B
SCALE 5:1



DETAIL C
SCALE 5:1



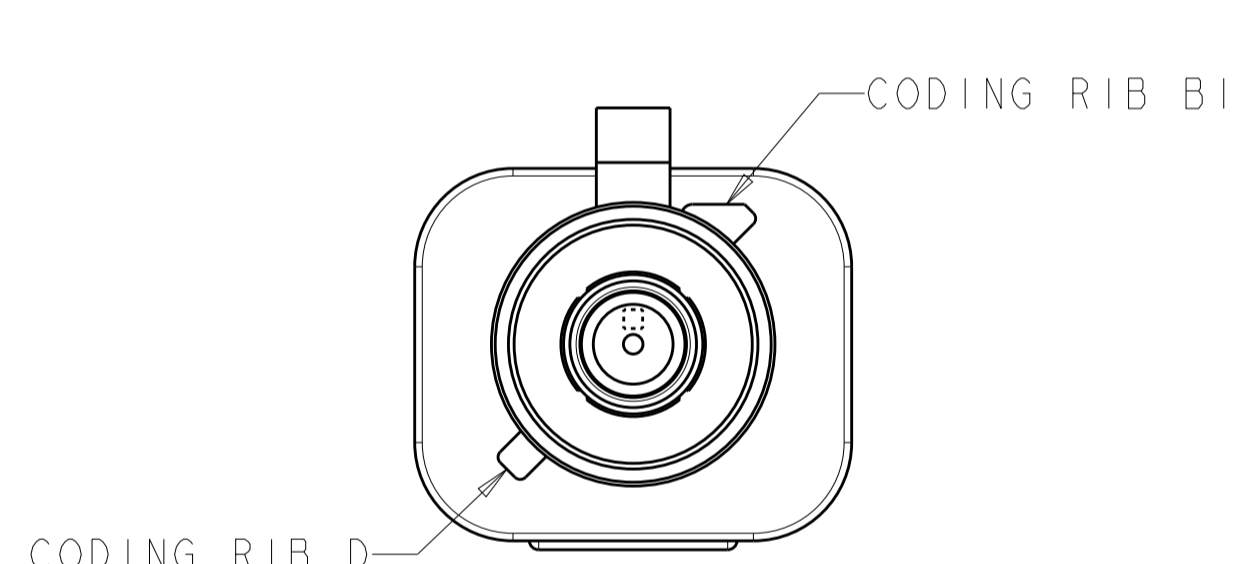
DETAIL D
SCALE 5:1



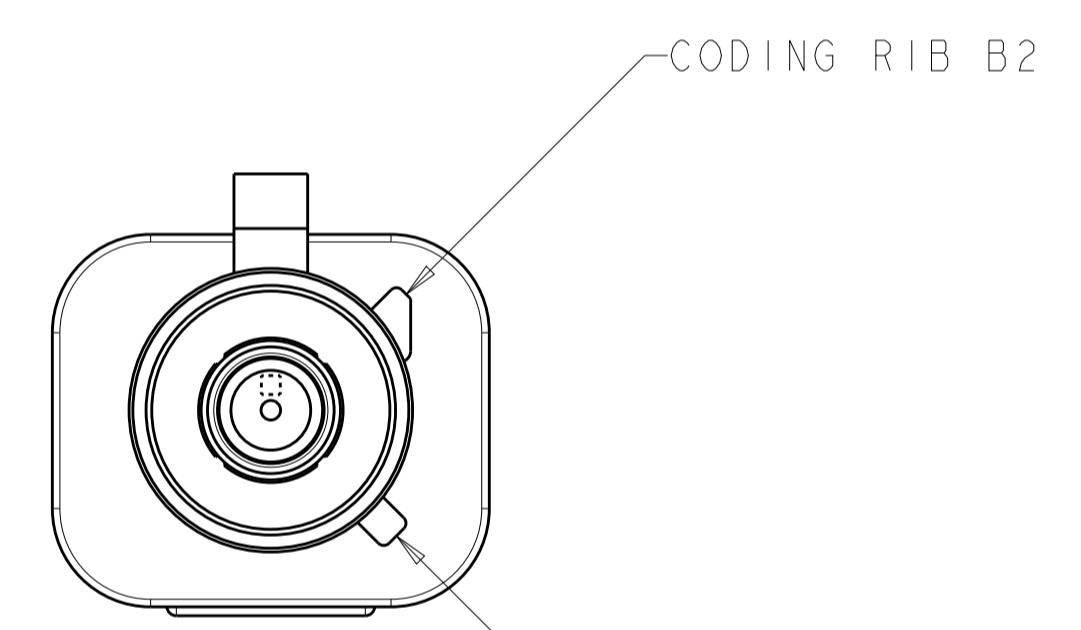
DETAIL E
SCALE 5:1



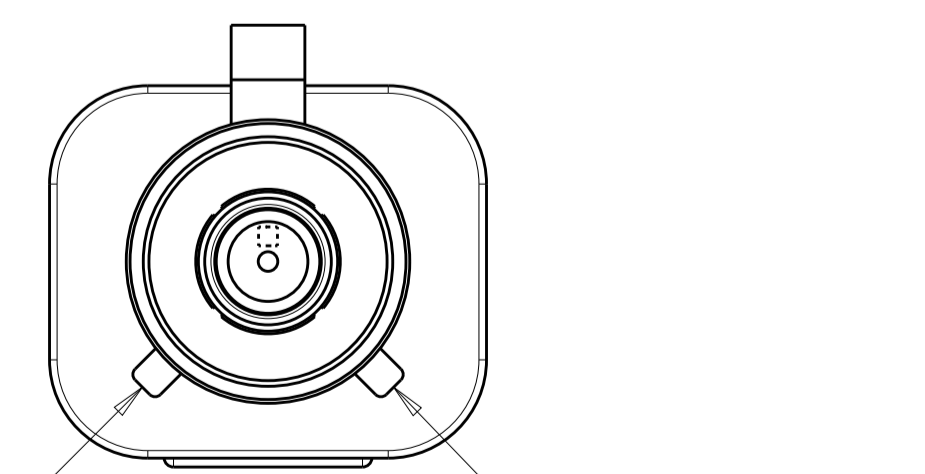
DETAIL F
SCALE 5:1



DETAIL G
SCALE 5:1



DETAIL H
SCALE 5:1



DETAIL K
SCALE 5:1

| | | | |
|---|--|---------------------------|---|
| THIS DRAWING IS A CONTROLLED DOCUMENT. | | OWN: D.J. HARDY 03JAN2005 | TE Connectivity |
| DIMENSIONS: mm | | CHK: J.W. HALL 26JAN2005 | |
| TOLERANCES UNLESS OTHERWISE SPECIFIED: 0 PLC ± 1 PLC ±0.25 2 PLC ± 3 PLC ± 4 PLC ± ANGLES ± | | APVD: J.W. HALL 26JAN2006 | NAME: JACK KIT, UNASSEMBLED, 1 POSITION, MINI 59, RG-58 OR RG-58 LL, FAKRA, SMB |
| MATERIAL: - | | FINISH: - | SIZE: A1 |
| CAGE CODE: - | | DRAWING NO: 114-13157 | RESTRICTED TO: - |
| CUSTOMER DRAWING | | SCALE: 4:1 | SHEET 2 OF 2 REV F2 |