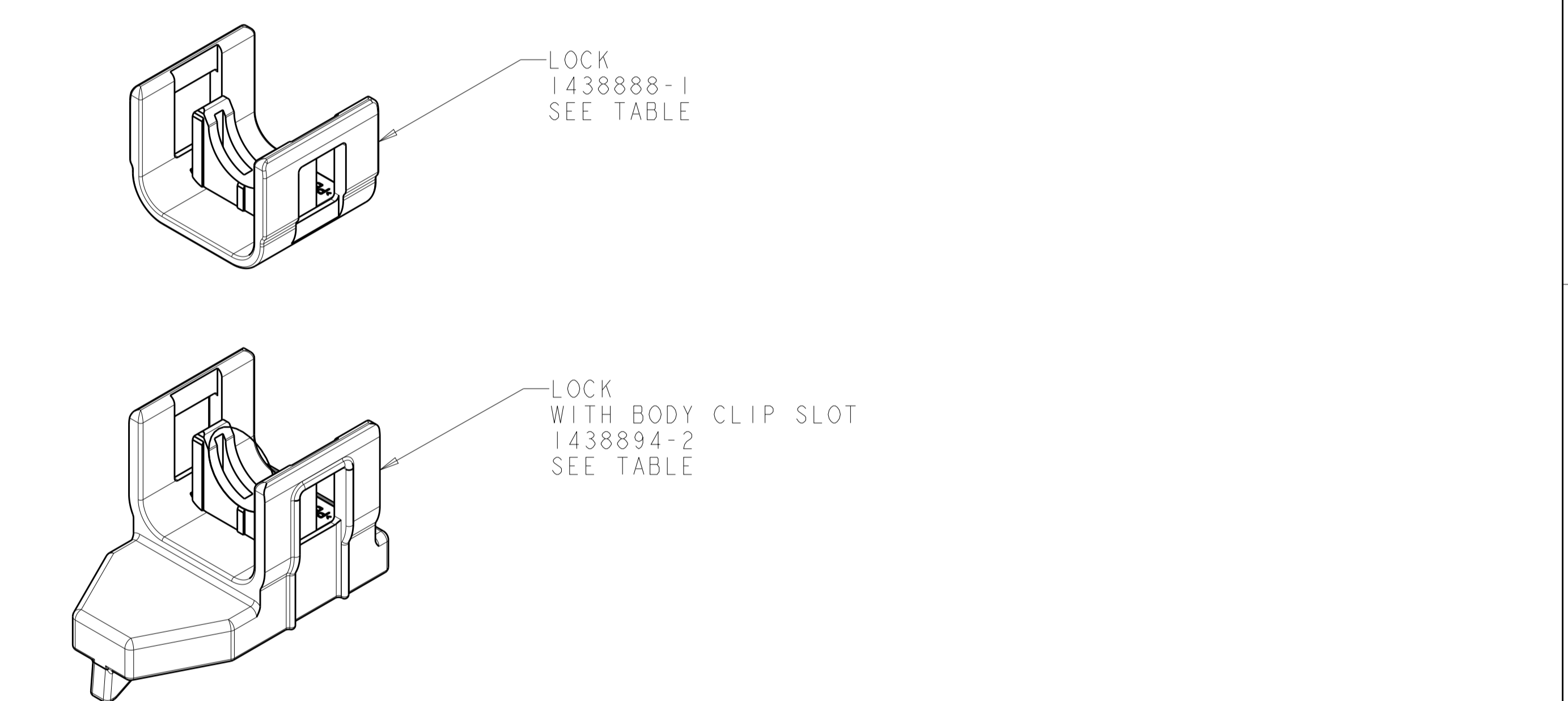
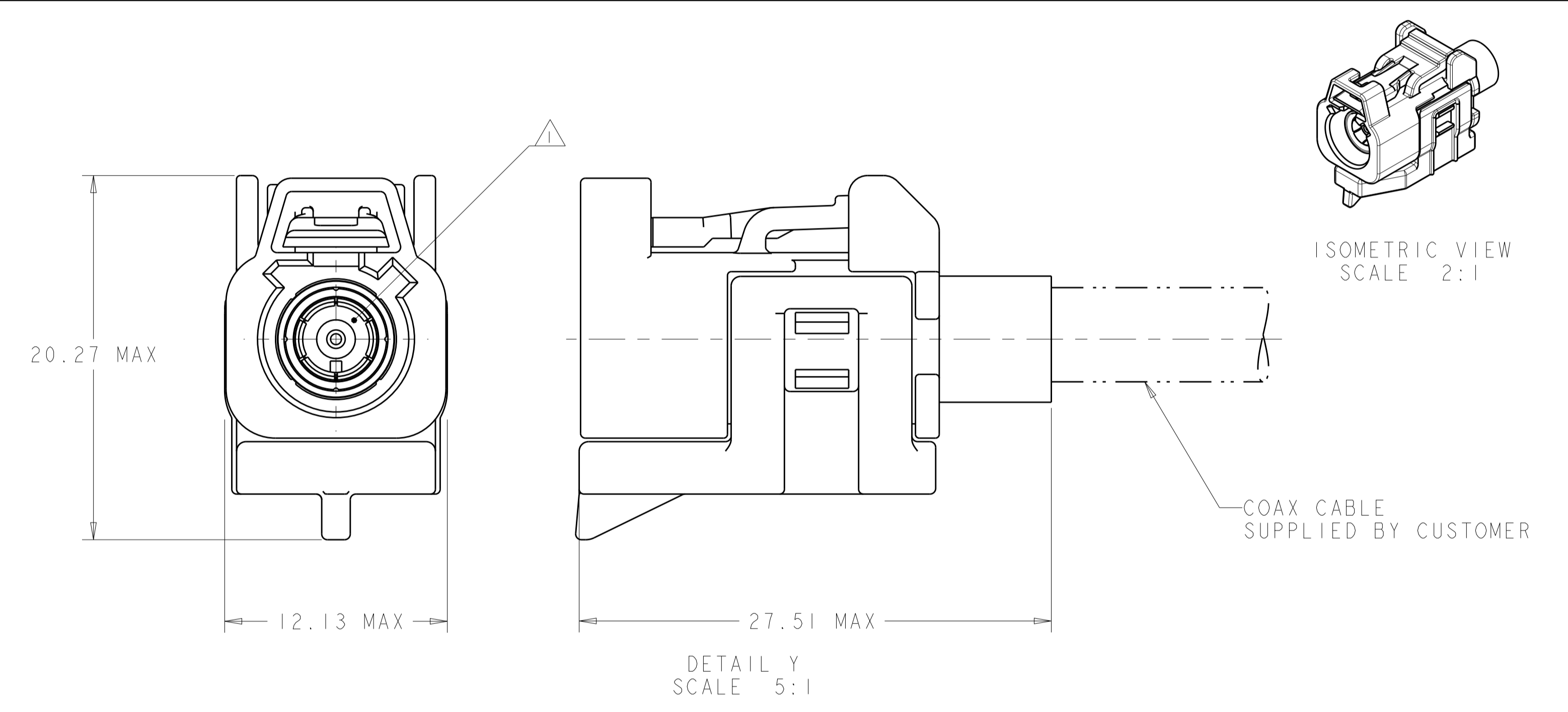
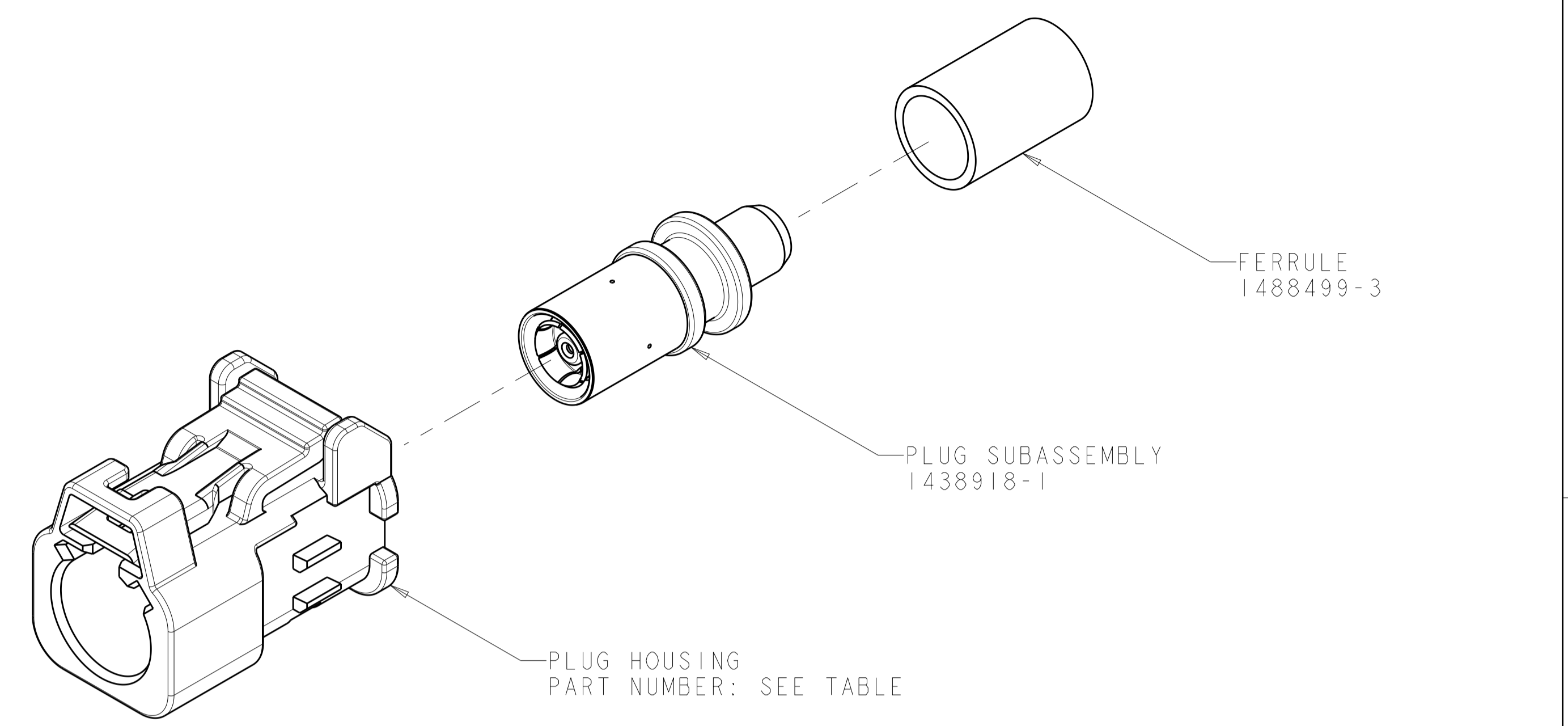
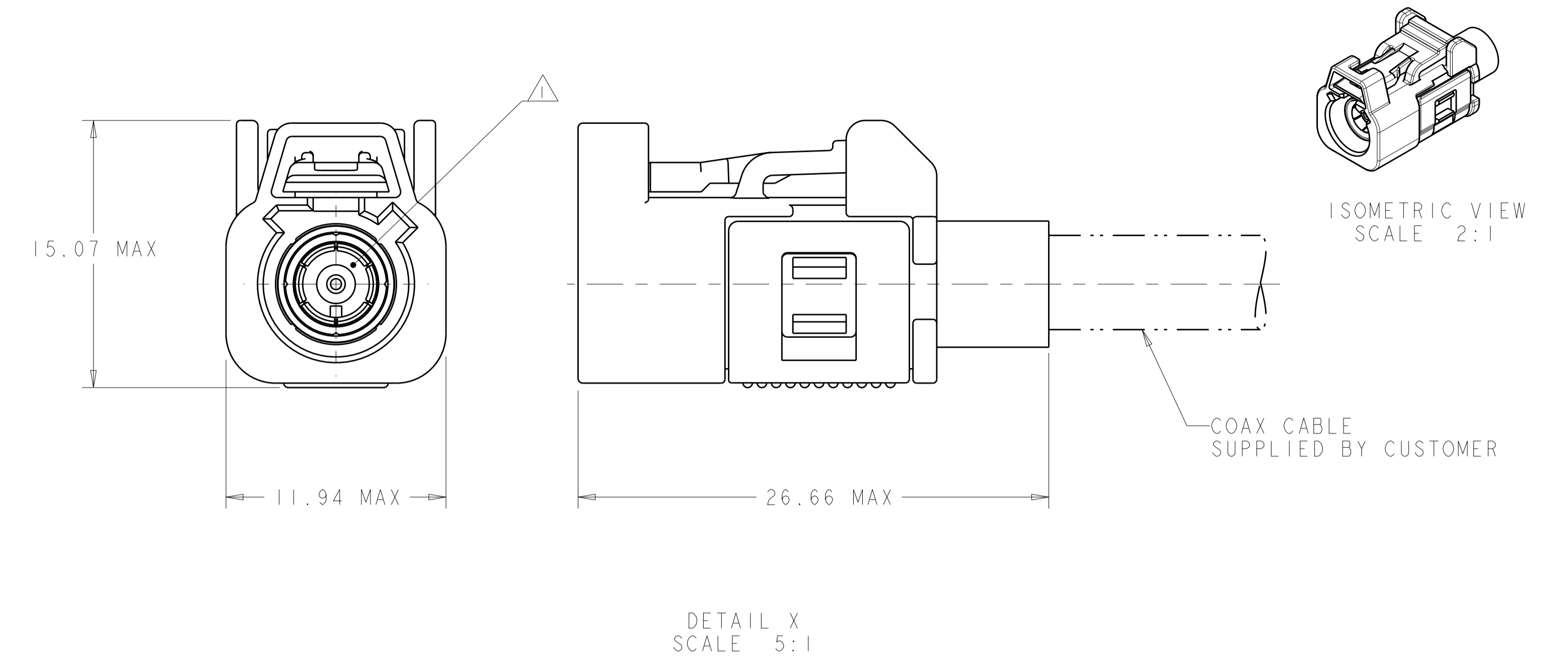
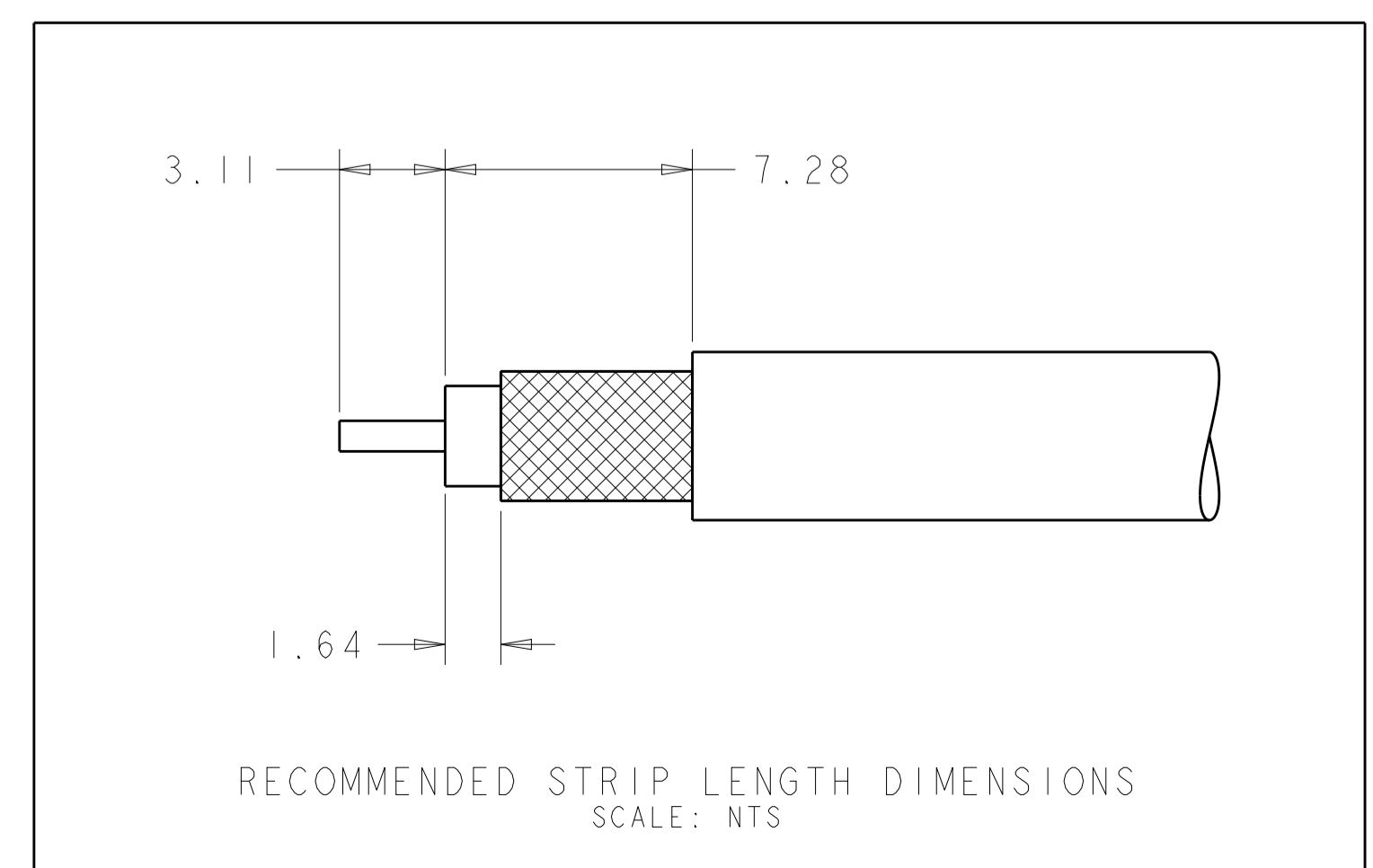


| LOC | | DIST | | REVISIONS | | | |
|-----|----|------|-----|---------------|-----------|-----|------|
| IN | 00 | P | LTN | DESCRIPTION | DATE | DWN | APVD |
| | | F1 | | ECO-12-018879 | 26OCT2012 | KP | LV |
| | | F2 | | ECO-13-002255 | 12FEB2013 | KP | LV |



- ⚠️ PLUG ACCEPTS JACKS MEETING DIN 72594-1, ROAD VEHICLES - RADIO FREQUENCY INTERFACE - DIMENSIONS AND ELECTRICAL REQUIREMENTS.
- PLUG SUBASSEMBLY WILL ACCEPT M17/28-RG58 COAXIAL CABLE PER MIL-C-17 AND LOW LOSS RG58 TYPE ANDREW CORPORATION PART NUMBER 910046A000. ALSO, ACCEPTS MINI 59 TYPE CABLE.
 - SEE INSTRUCTION SHEET 408-10028.
 - SOCKET CONTACT 1438896-2 MUST BE PURCHASED SEPARATELY FOR USE WITH RG58 AND RG58LL CABLE. SOCKET CONTACT 1438896-4 MUST BE PURCHASED SEPARATELY FOR USE WITH MINI 59 CABLE.



| PER DETAIL Y | PER DETAIL M | M | GRAY | 1438894-2 | PASTEL ORANGE | 1-1438893-2 | 6-1438919-2 |
|--------------|--------------|--------|------------|------------------|----------------|--------------------------|-------------|
| PER DETAIL Y | PER DETAIL K | K | GRAY | 1438894-2 | CURRY | 1-1438893-0 | 6-1438919-0 |
| PER DETAIL Y | PER DETAIL H | H | GRAY | 1438894-2 | HEATHER VIOLET | 1438893-8 | 5-1438919-8 |
| PER DETAIL Y | PER DETAIL G | G | GRAY | 1438894-2 | BLUE GREY | 1438893-7 | 5-1438919-7 |
| PER DETAIL Y | PER DETAIL F | F | GRAY | 1438894-2 | NUT BROWN | 1438893-6 | 5-1438919-6 |
| PER DETAIL Y | PER DETAIL E | E | GRAY | 1438894-2 | LEAF GREEN | 1438893-5 | 5-1438919-5 |
| PER DETAIL Y | PER DETAIL D | D | GRAY | 1438894-2 | CLARET VIOLET | 1438893-4 | 5-1438919-4 |
| PER DETAIL Y | PER DETAIL C | C | GRAY | 1438894-2 | SIGNAL BLUE | 1438893-3 | 5-1438919-3 |
| PER DETAIL Y | PER DETAIL B | B | GRAY | 1438894-2 | SIGNAL WHITE | 1438893-2 | 5-1438919-2 |
| PER DETAIL Y | PER DETAIL A | A | GRAY | 1438894-2 | JET BLACK | 1438893-1 | 5-1438919-1 |
| PER DETAIL X | PER DETAIL M | M | RED | 1438888-1 | PASTEL ORANGE | 1-1438893-2 | 1-1438919-2 |
| PER DETAIL X | PER DETAIL K | K | RED | 1438888-1 | CURRY | 1-1438893-0 | 1-1438919-0 |
| PER DETAIL X | PER DETAIL H | H | RED | 1438888-1 | HEATHER VIOLET | 1438893-8 | 1438919-8 |
| PER DETAIL X | PER DETAIL G | G | RED | 1438888-1 | BLUE GREY | 1438893-7 | 1438919-7 |
| PER DETAIL X | PER DETAIL F | F | RED | 1438888-1 | NUT BROWN | 1438893-6 | 1438919-6 |
| PER DETAIL X | PER DETAIL E | E | RED | 1438888-1 | LEAF GREEN | 1438893-5 | 1438919-5 |
| PER DETAIL X | PER DETAIL D | D | RED | 1438888-1 | CLARET VIOLET | 1438893-4 | 1438919-4 |
| PER DETAIL X | PER DETAIL C | C | RED | 1438888-1 | SIGNAL BLUE | 1438893-3 | 1438919-3 |
| PER DETAIL X | PER DETAIL B | B | RED | 1438888-1 | SIGNAL WHITE | 1438893-2 | 1438919-2 |
| PER DETAIL X | PER DETAIL A | A | RED | 1438888-1 | JET BLACK | 1438893-1 | 1438919-1 |
| ASSEMBLY | KEYING | CODING | LOCK COLOR | LOCK PART NUMBER | HOUSING COLOR | PLUG HOUSING PART NUMBER | PART NUMBER |

THIS DRAWING IS A CONTROLLED DOCUMENT. DWN: D.J.HARDY 04JAN2005
 CHK: J.W.HALL 27JAN2005
 APVD: J.W.HALL 27JAN2005

DIMENSIONS: mm
 TOLERANCES UNLESS OTHERWISE SPECIFIED:
 0 PLC ±
 1 PLC ±0.25
 2 PLC ±
 3 PLC ±
 4 PLC ±
 ANGLES ±

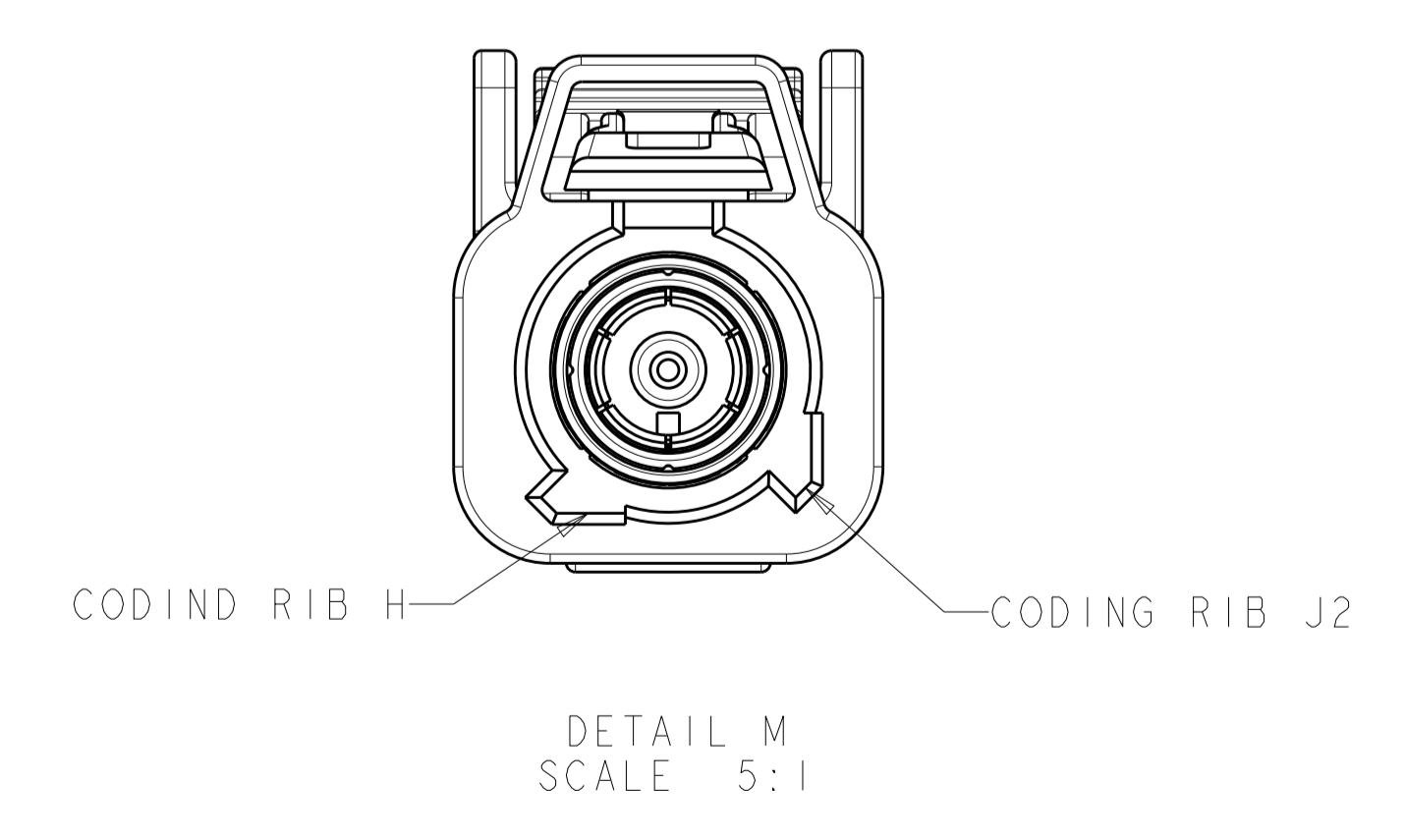
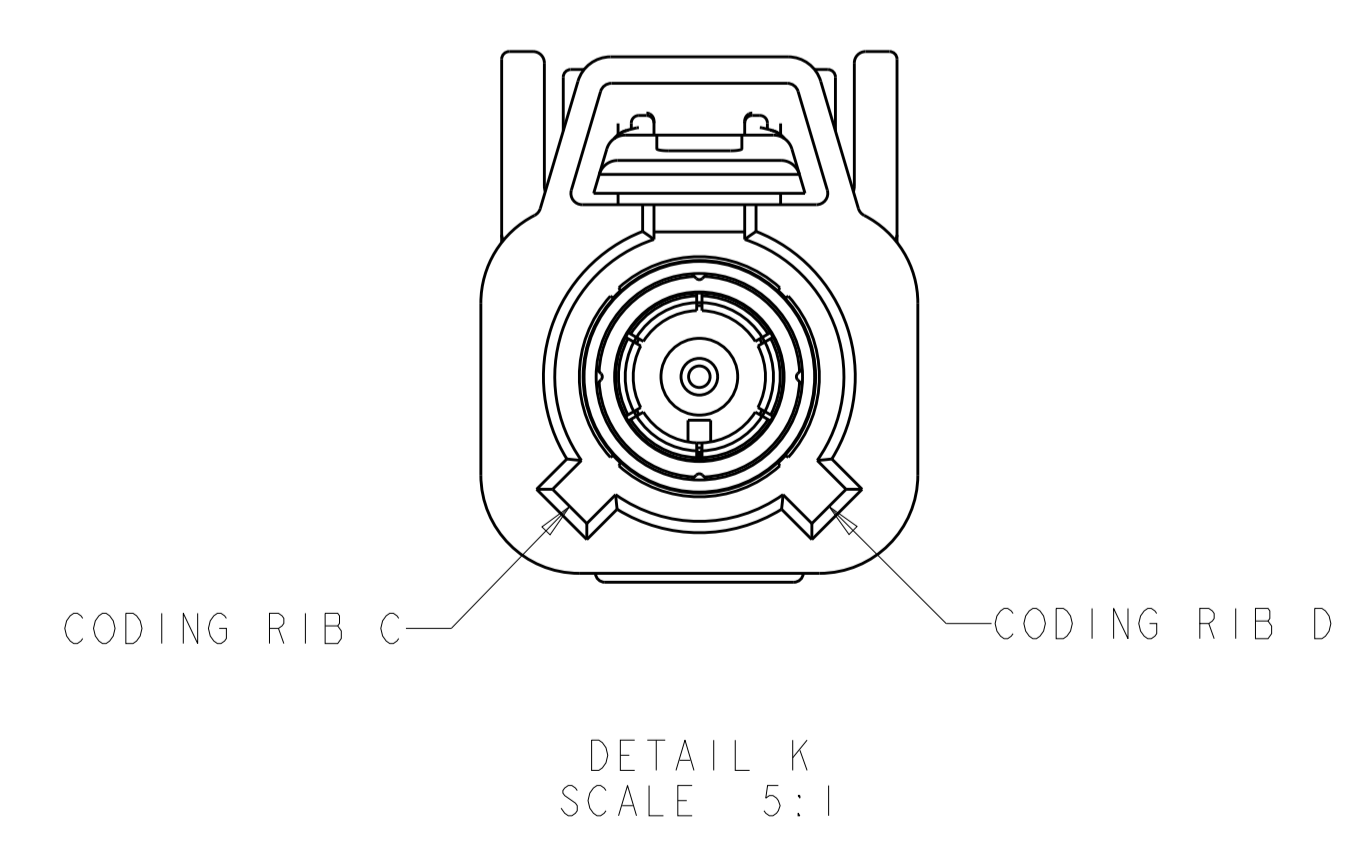
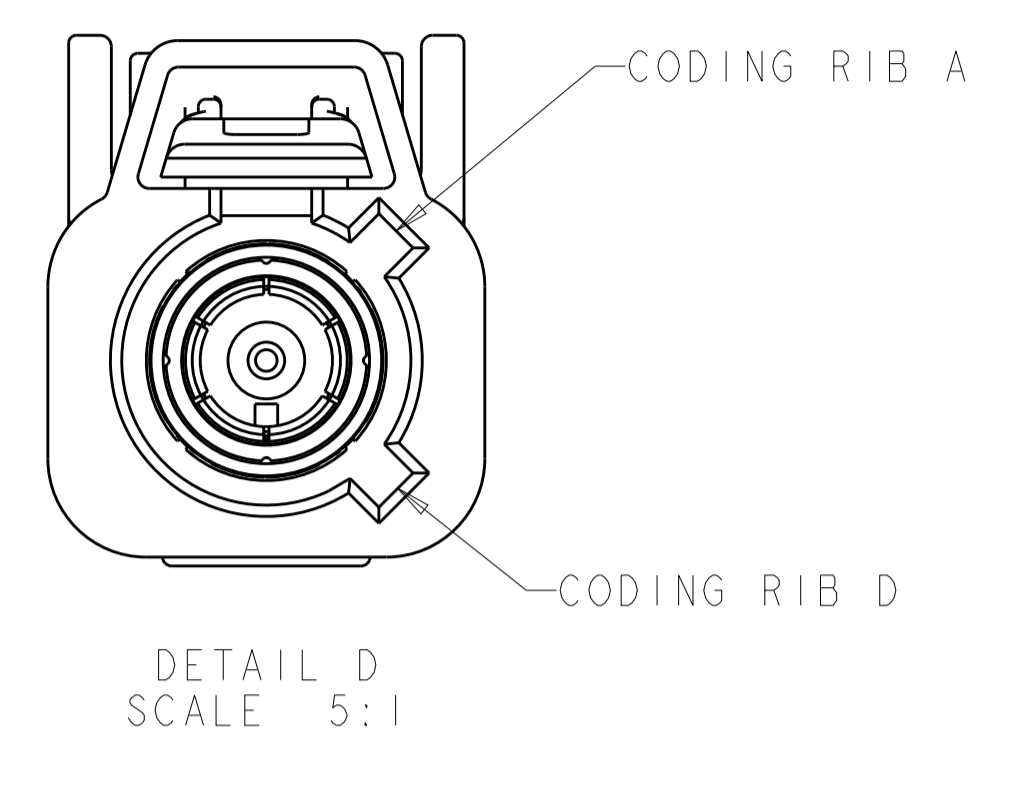
MATERIAL: FINISH:

THIS DRAWING IS A CONTROLLED DOCUMENT. DWN: D.J.HARDY 04JAN2005
 CHK: J.W.HALL 27JAN2005
 APVD: J.W.HALL 27JAN2005

PRODUCT SPEC: NAME: PLUG KIT, UNASSEMBLED, 1 POSITION, MINI 59, RG-58 OR RG-58 LL, 180 DEGREE, FAKRA, SMB
 APPLICATION SPEC: 114-13157
 WEIGHT: A100779
 CUSTOMER DRAWING: SCALE: 5:1 SHEET 1 OF 2 REV F2

STE TE Connectivity

| LOC | | DIST | | REVISIONS | | | |
|-----|---|------|-------------|-----------|------|----|------|
| 1 | N | 00 | | REV | DATE | BY | APPV |
| - | - | - | SEE SHEET 1 | - | - | - | - |



| | | | | | |
|---|--|----------------------------|---|---------------------------------|--|
| THIS DRAWING IS A CONTROLLED DOCUMENT. | | OWN: D. J. HARDY 04JAN2005 | TE Connectivity NAME: PLUG KIT, UNASSEMBLED, 1 POSITION, MINI 59, RG-58 OR RG-58 LL, 180 DEGREE, FAKRA, SMB SIZE: A1 CAGE CODE: 1438919 DRAWING NO: 114-13157 | RESTRICTED TO | |
| DIMENSIONS: | | CHK: J. W. HALL 27JAN2005 | | PRODUCT SPEC | |
| TOLERANCES UNLESS OTHERWISE SPECIFIED: | | APVD: J. W. HALL 27JAN2005 | | APPLICATION SPEC | |
| mm 0 PLC ± 1 PLC ± 2 PLC ±0.25 3 PLC ± 4 PLC ± ANGLES ± FINISH | | WEIGHT | | | |
| MATERIAL | | CUSTOMER DRAWING | | SCALE: 5:1 SHEET 2 OF 2 REV: F2 | |