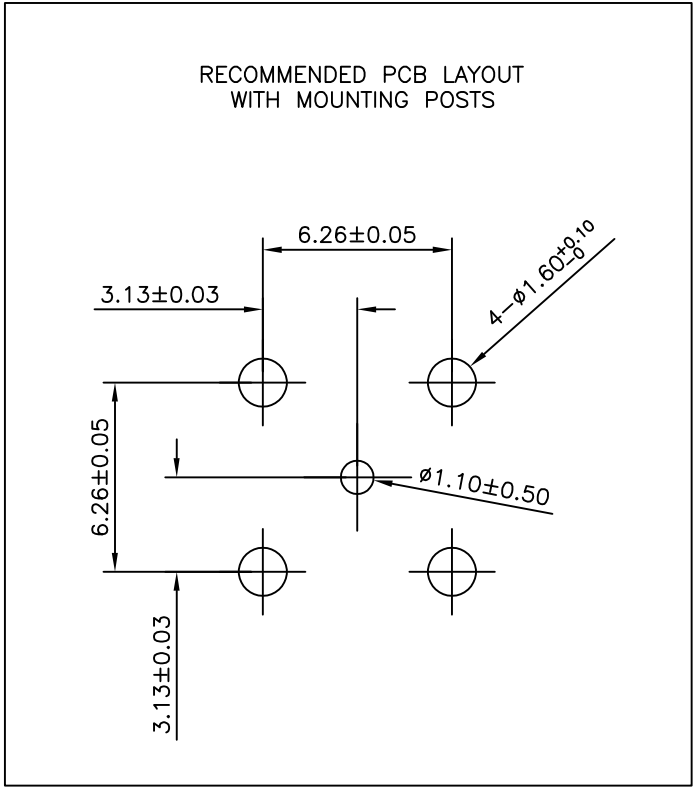
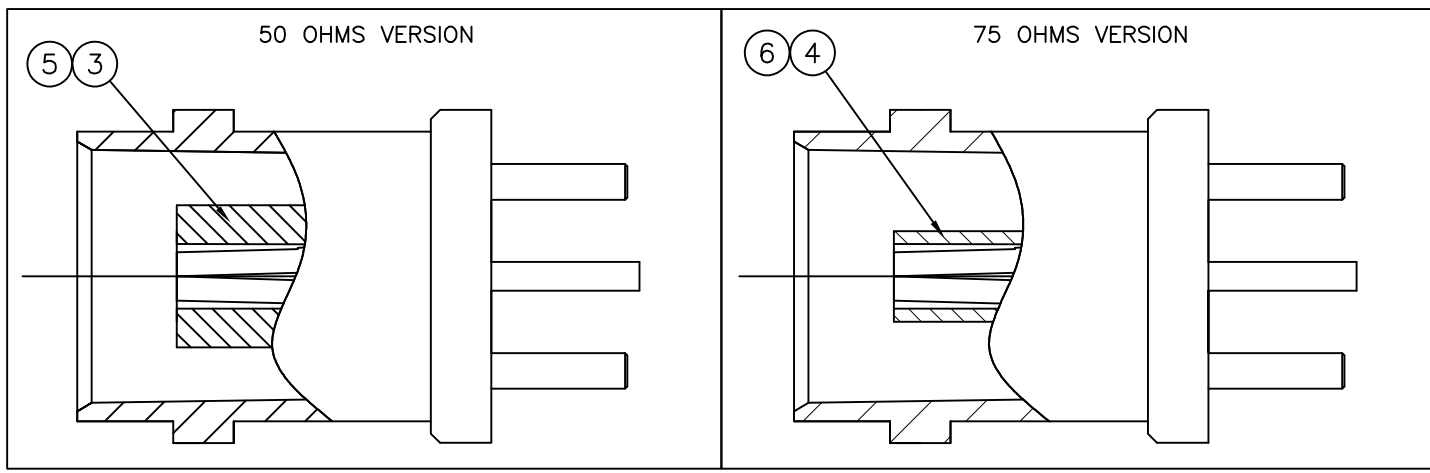
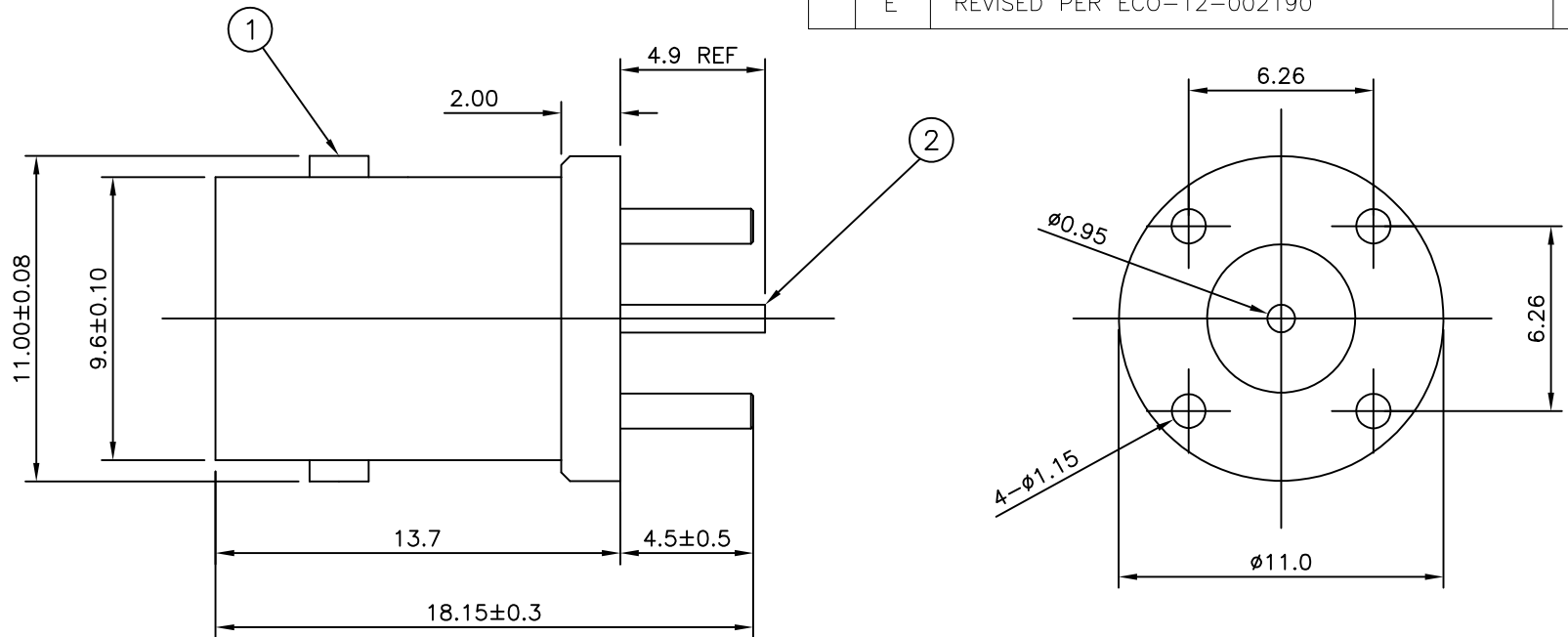


THIS DRAWING IS UNPUBLISHED. RELEASED FOR PUBLICATION SEP, 2004.
 © COPYRIGHT 2004 By - ALL RIGHTS RESERVED.

LOC	DIST	REVISIONS			
P	LTR	DESCRIPTION	DATE	DWN	APVD
E	B	D1	REVISED PER ECO-11-005033	31MAR11	RK HMR
E		E	REVISED PER ECO-12-002190	03FEB12	TITAN MARTIN

- NOTES**
- 1 100 TRAY PACK IN ACCORDANCE WITH AMP SPEC 107-3275
 - 2 SINGLE PACK IN ACCORDANCE WITH AMP SPEC 107-3275
 - 3 Au PLATING
 - 4 Ni PLATING
 - 5 FOR TECHNICAL DATA REFER TO YOUR LOCAL TE CONNECTIVITY SALES OFFICE
 - 6 ALL DIMENSIONS ARE NOMINAL FOR REFERENCE ONLY UNLESS OTHERWISE STATED



OBsolete

QTY	1	2	3	4	5	6	7	8	MATERIAL	DESCRIPTION	ITEM
1	1	-	-	-	-	-	-	-	PTFE	INSULATOR	6
-	-	1	1	-	-	-	-	-	PTFE	INSULATOR	5
-	-	-	-	1	1	-	-	-	POLYMETHYLPENTENE	INSULATOR	4
-	-	-	-	-	-	1	1	-	POLYMETHYLPENTENE	INSULATOR	3
1	1	1	1	1	1	1	1	1	PHOS BRONZE	CONTACT	2
1	1	1	1	1	1	1	1	1	ZINC ALLOY	BODY	1
5--7	5--6	5--5	5--4	5--3	5--2	5--1	5--0				
△	△	△	△	△	△	△	△				
QUANTITY PER ASSY									PARTS LIST		

THIS DRAWING IS A CONTROLLED DOCUMENT.

DIMENSIONS: mm	TOLERANCES UNLESS OTHERWISE SPECIFIED:	DWN RITA ZUO 11 Mar 09	STE TE Connectivity
	0 PLC ± -	CHK ANSON MA 11 Mar 09	
	1 PLC ± -	APVD BOB ZHAO 11 Mar 09	
	2 PLC ± -	NAME	
	3 PLC ± -	108-112000	BNC STRAIGHT LOW PROFILE PCB SOCKET
	4 PLC ± -	APPLICATION SPEC	
	ANGLES ± -	SIZE	CAGE CODE
MATERIAL	FINISH	WEIGHT	DRAWING NO
-	-	-	A300779 C-1634503
		CUSTOMER DRAWING	RESTRICTED TO
		SCALE NTS	SHEET 1 OF 1
			REV E