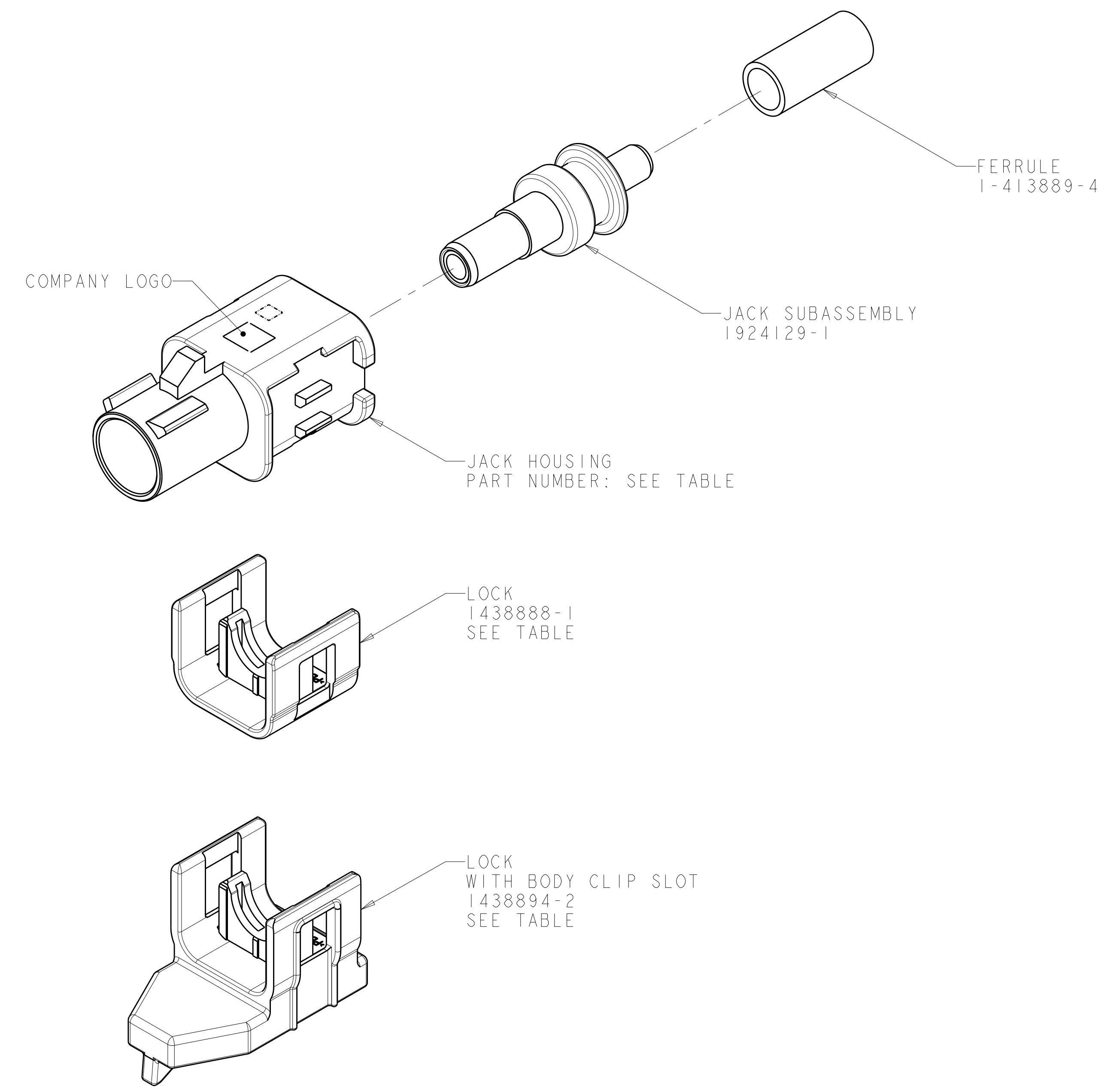
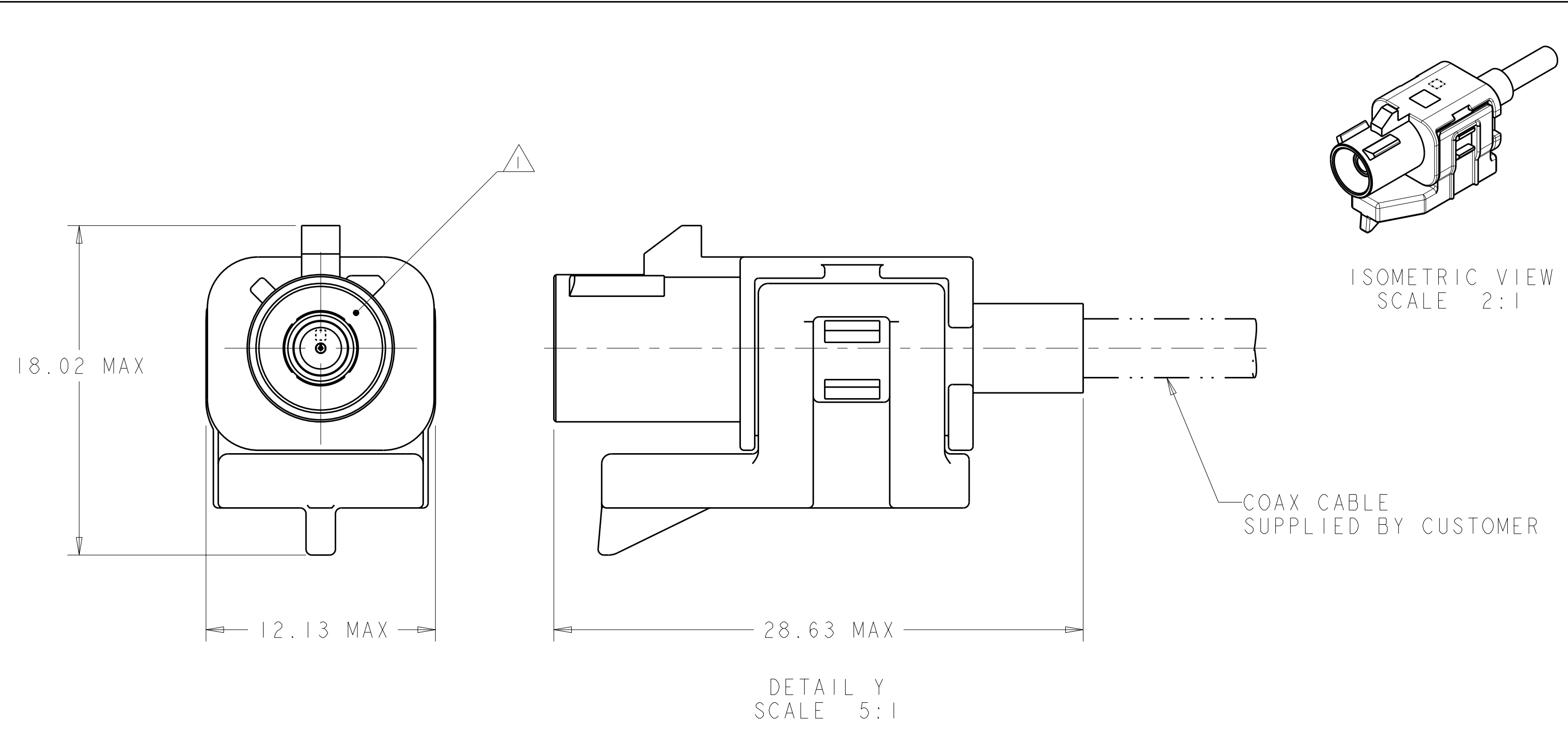
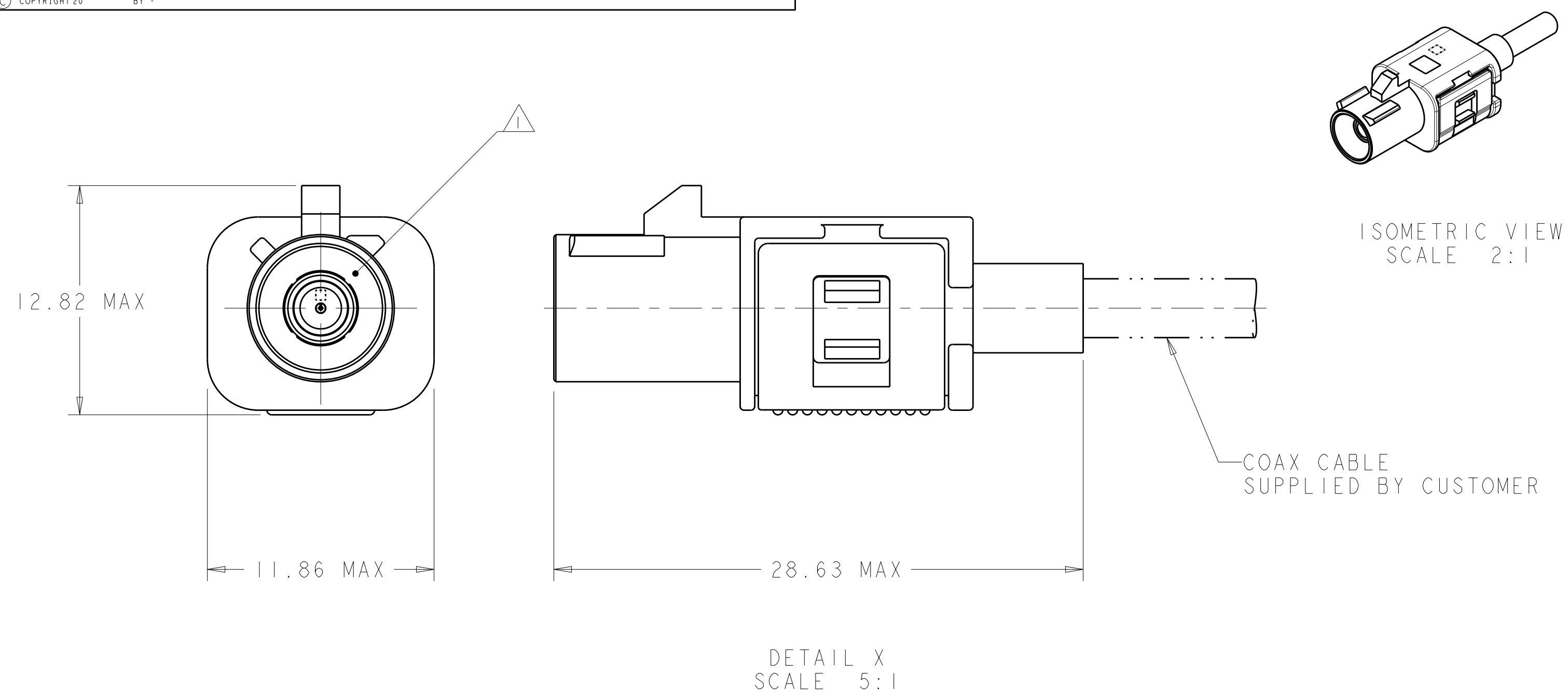
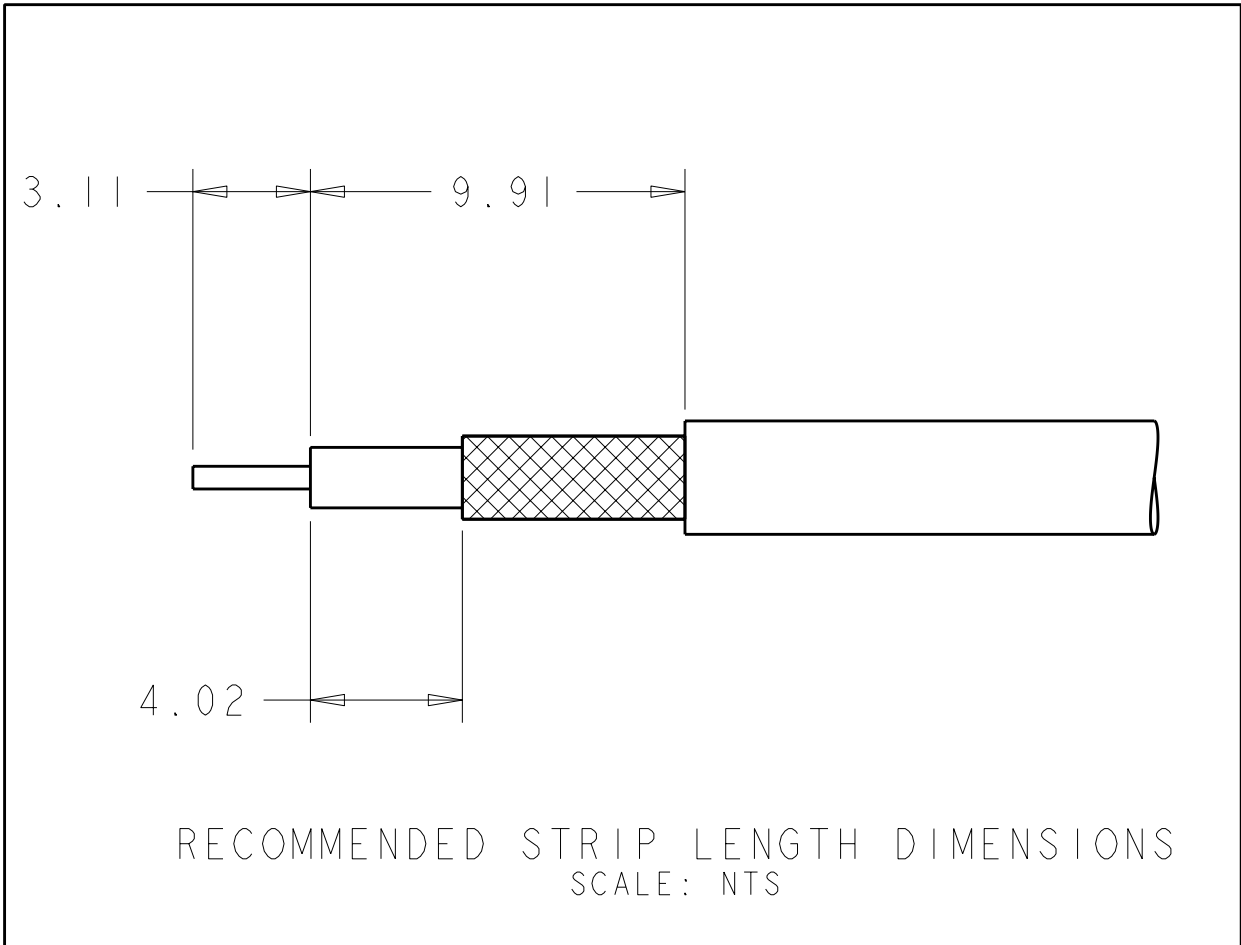


LOC	DIST	REV	DATE	BY	APPD
IN	00				
C1		REVISED PER ECO-013737	30JUN2010	DLD	LLV
C2		ECO-12-004856	29MAR2012	WP	LV



1. JACK INTERFACE PER DIN 72594-1, ROAD VEHICLES - RADIO FREQUENCY INTERFACE - DIMENSIONS AND ELECTRICAL REQUIREMENTS.
2. JACK SUBASSEMBLY WILL ACCEPT 1.5D-2VS OR 1.5C-2V COAXIAL CABLE.
3. SEE INSTRUCTION SHEET 408-10028.
4. PIN CONTACT 1438890-8 MUST BE PURCHASED SEPARATELY FOR 1.5D-2VS CABLE.  
 PIN CONTACT 1438890-9 MUST BE PURCHASED SEPARATELY FOR 1.5C-2V CABLE.
5. THIS PRODUCT HAS NOT COMPLETED VALIDATION TESTING ON 1.5C-2V CABLE.



PER DETAIL Y	PER DETAIL K	K	GRAY	1438894-2	CURRY	1-1438887-0	6-1924133-0
PER DETAIL Y	PER DETAIL H	H	GRAY	1438894-2	HEATHER VIOLET	1438887-8	5-1924133-8
PER DETAIL Y	PER DETAIL F	F	GRAY	1438894-2	NUT BROWN	1438887-6	5-1924133-6
PER DETAIL Y	PER DETAIL E	E	GRAY	1438894-2	LEAF GREEN	1438887-5	5-1924133-5
PER DETAIL Y	PER DETAIL D	D	GRAY	1438894-2	CLARET VIOLET	1438887-4	5-1924133-4
PER DETAIL Y	PER DETAIL C	C	GRAY	1438894-2	SIGNAL BLUE	1438887-3	5-1924133-3
PER DETAIL Y	PER DETAIL B	B	GRAY	1438894-2	SIGNAL WHITE	1438887-2	5-1924133-2
<b>OBSELETE</b>							
PER DETAIL X	PER DETAIL K	K	RED	1438888-1	CURRY	1-1438887-0	1-1924133-0
PER DETAIL X	PER DETAIL H	H	RED	1438888-1	HEATHER VIOLET	1438887-8	1924133-8
PER DETAIL X	PER DETAIL F	F	RED	1438888-1	NUT BROWN	1438887-6	1924133-6
PER DETAIL X	PER DETAIL E	E	RED	1438888-1	LEAF GREEN	1438887-5	1924133-5
PER DETAIL X	PER DETAIL D	D	RED	1438888-1	CLARET VIOLET	1438887-4	1924133-4
PER DETAIL X	PER DETAIL C	C	RED	1438888-1	SIGNAL BLUE	1438887-3	1924133-3
PER DETAIL X	PER DETAIL B	B	RED	1438888-1	SIGNAL WHITE	1438887-2	1924133-2
<b>OBSELETE</b>							
ASSEMBLY	KEYING	CODING	LOCK COLOR	LOCK PART NUMBER	HOUSING COLOR	JACK HOUSING PART NUMBER	PART NUMBER

THIS DRAWING IS A CONTROLLED DOCUMENT.

DIMENSIONS: mm

TOLERANCES UNLESS OTHERWISE SPECIFIED:

9 PLC	±
1 PLC	±0.25
5 PLC	±
4 PLC	±
ANGLES	±
FINISH	-

MATERIAL: -

DATE: 09OCT2006

CHK: D.J. HARDY

APPD: J.W. HALL

NAME: JACK KIT, UNASSEMBLED, 1 POSITION, 1.5D-2VS OR 1.5C-2V, FAKRA

SIZE: A100779

SCALE: 4:1

SHEET 1 OF 2

REV: C2

THIS DRAWING IS UNPUBLISHED. RELEASED FOR PUBLICATION 20  
 BY: ALL RIGHTS RESERVED.

LOC	DIST	REV	DATE	BY	APPV
IN	00				
		1			
		2			
		3			
		4			
		5			
		6			
		7			
		8			
		9			
		10			



DETAIL B  
SCALE 5:1



DETAIL C  
SCALE 5:1



DETAIL D  
SCALE 5:1



DETAIL E  
SCALE 5:1



DETAIL F  
SCALE 5:1



DETAIL H  
SCALE 5:1



DETAIL K  
SCALE 5:1

THIS DRAWING IS A CONTROLLED DOCUMENT.		DWN: D.J. HARDY 09OCT2006	TE Connectivity
DIMENSIONS:		CHK: J.W. HALL 17OCT2006	
mm	TOLERANCES UNLESS OTHERWISE SPECIFIED:	APVD: J.W. HALL 17OCT2006	NAME: JACK KIT, UNASSEMBLED, 1 POSITION, 1.5D-2VS OR 1.5C-2V, FAKRA
	9 PLC ± 1 PLC ± 2 PLC ±0.25 3 PLC ± 4 PLC ± ANGLES ± FINISH ±	PRODUCT SPEC	SIZE: CAGE CODE DRAWING NO. RESTRICTED TO
MATERIAL: -	FINISH: -	APPLICATION SPEC: 114-13157	A100779C=1924133
CUSTOMER DRAWING		WEIGHT: -	SCALE: 4:1 SHEET 2 OF 2 REV: C2