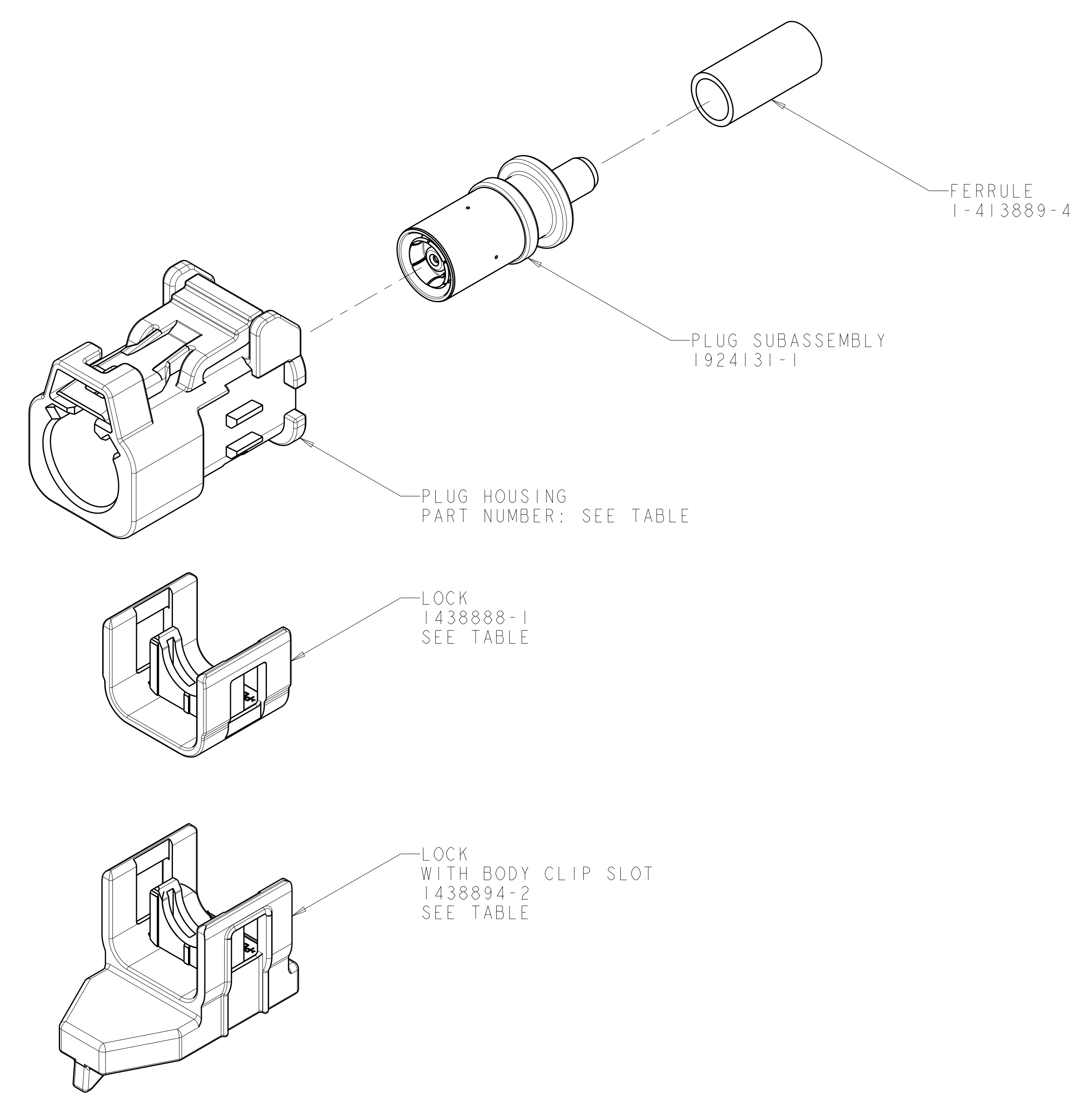
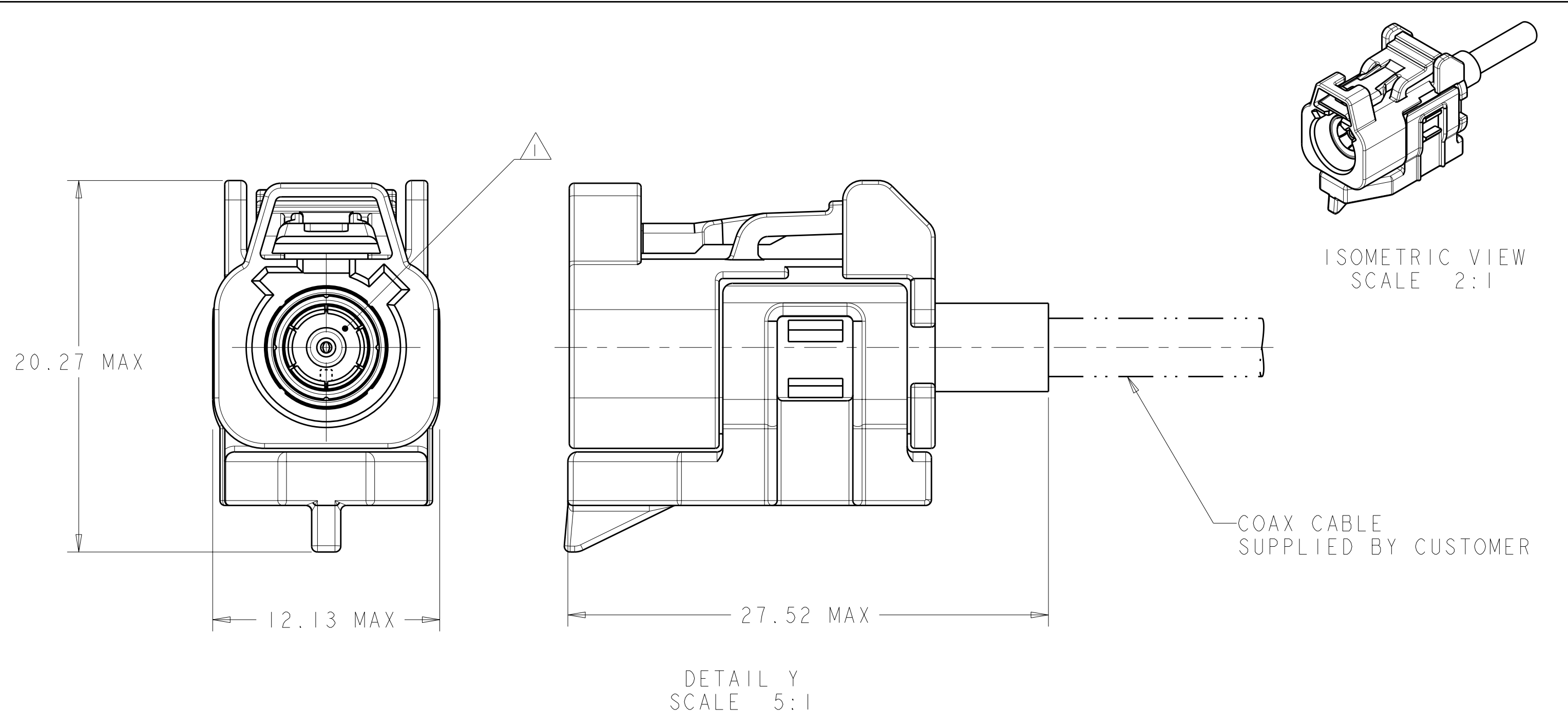
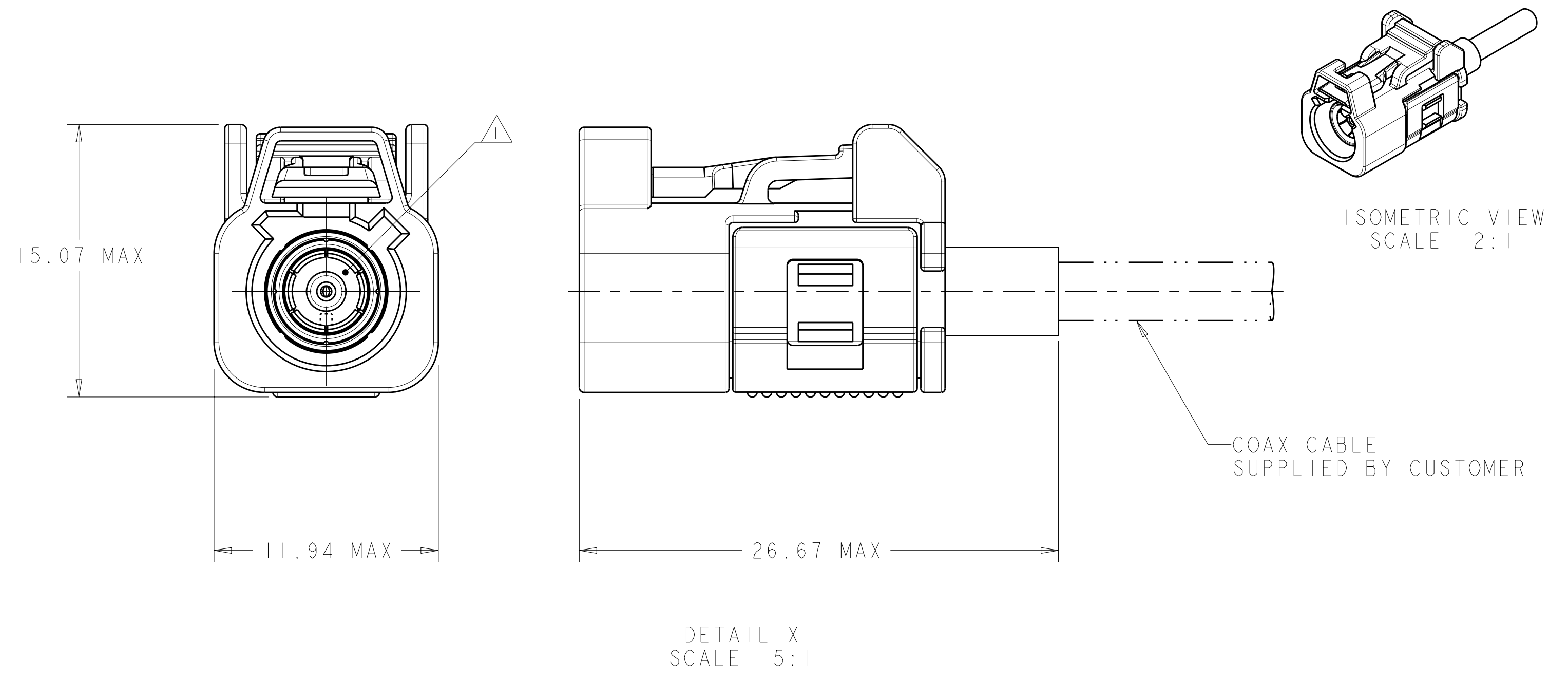
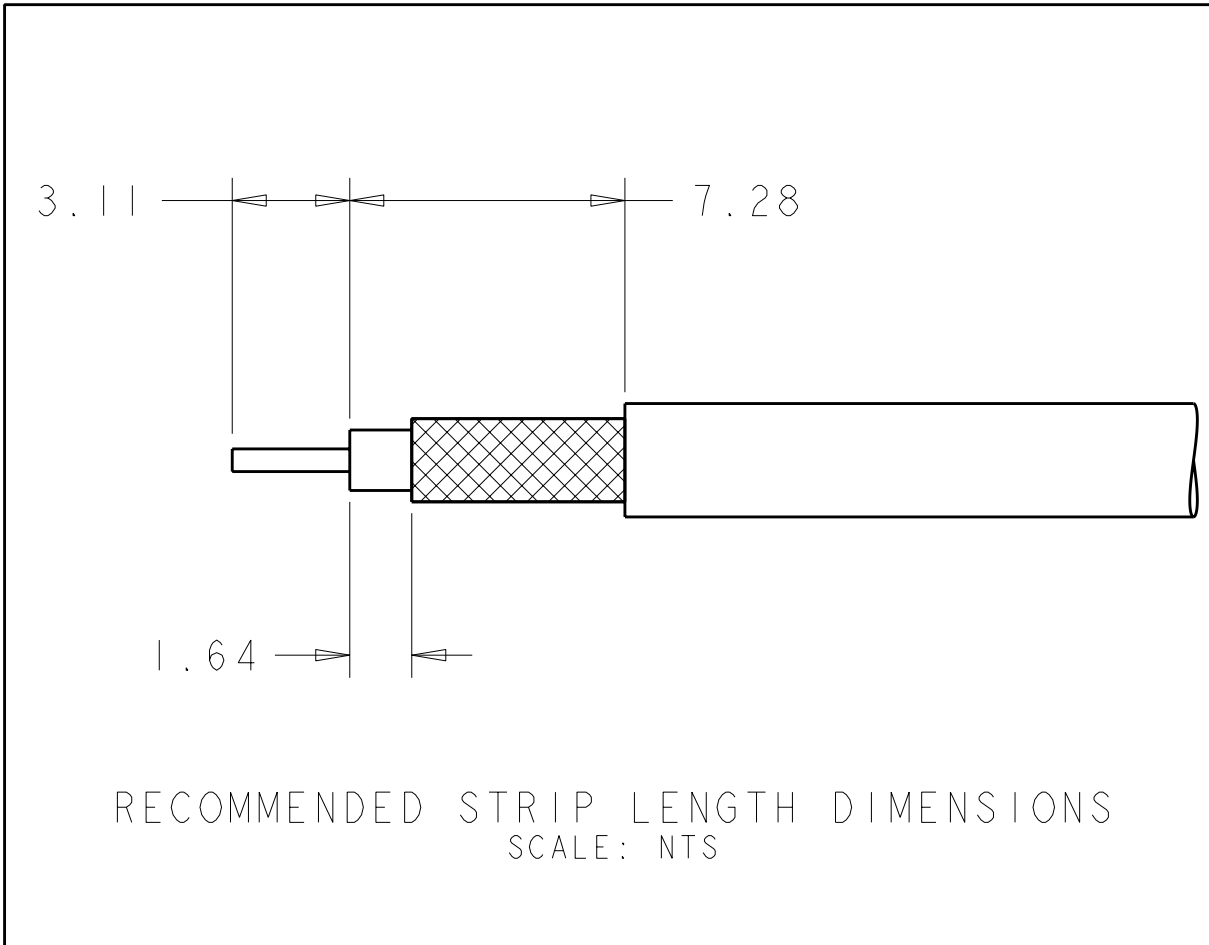


LOC	DIST	REV	DATE	BY	APPD
IN	00				
C		ECR-09-025761	21DEC2009	KP	LV
CI		ECO-12-004859	29MAR2012	KP	LV



- ⚠ PLUG ACCEPTS JACKS MEETING DIN 72594-1, ROAD VEHICLES - RADIO FREQUENCY INTERFACE - DIMENSIONS AND ELECTRICAL REQUIREMENTS.
2. PLUG SUBASSEMBLY WILL ACCEPT 1.5D-2VS OR 1.5C-2V COAXIAL CABLE.
  3. SEE INSTRUCTION SHEET 408-10028.
  4. SOCKET CONTACT 1438896-4 MUST BE PURCHASED SEPARATELY FOR 1.5D-2VS CABLE. SOCKET CONTACT 1438896-6 MUST BE PURCHASED SEPARATELY FOR 1.5C-2V CABLE.
  5. THIS PRODUCT HAS NOT COMPLETED VALIDATION TESTING ON 1.5C-2V CABLE.



PER DETAIL Y	PER DETAIL K	K	GRAY	1438894-2	CURRY	1-1438893-0	6-1924134-0
PER DETAIL Y	PER DETAIL H	H	GRAY	1438894-2	HEATHER VIOLET	1438893-8	5-1924134-8
PER DETAIL Y	PER DETAIL F	F	GRAY	1438894-2	NUT BROWN	1438893-6	5-1924134-6
PER DETAIL Y	PER DETAIL E	E	GRAY	1438894-2	LEAF GREEN	1438893-5	5-1924134-5
PER DETAIL Y	PER DETAIL D	D	GRAY	1438894-2	CLARET VIOLET	1438893-4	5-1924134-4
PER DETAIL Y	PER DETAIL C	C	GRAY	1438894-2	SIGNAL BLUE	1438893-3	5-1924134-3
PER DETAIL Y	PER DETAIL B	B	GRAY	1438894-2	SIGNAL WHITE	1438893-2	5-1924134-2
PER DETAIL X	PER DETAIL K	K	RED	1438888-1	CURRY	1-1438893-0	1-1924134-0
PER DETAIL X	PER DETAIL H	H	RED	1438888-1	HEATHER VIOLET	1438893-8	1924134-8
PER DETAIL X	PER DETAIL F	F	RED	1438888-1	NUT BROWN	1438893-6	1924134-6
PER DETAIL X	PER DETAIL E	E	RED	1438888-1	LEAF GREEN	1438893-5	1924134-5
PER DETAIL X	PER DETAIL D	D	RED	1438888-1	CLARET VIOLET	1438893-4	1924134-4
PER DETAIL X	PER DETAIL C	C	RED	1438888-1	SIGNAL BLUE	1438893-3	1924134-3
PER DETAIL X	PER DETAIL B	B	RED	1438888-1	SIGNAL WHITE	1438893-2	1924134-2
ASSEMBLY	KEYING	CODING	LOCK COLOR	LOCK PART NUMBER	HOUSING COLOR	PLUG HOUSING PART NUMBER	PART NUMBER

**OBSELETE**

**OBSELETE**

THIS DRAWING IS A CONTROLLED DOCUMENT.

SWN: D. J. HARDY 10OCT2006  
 CHK: J. W. HALL 17OCT2006  
 APVD: J. W. HALL 17OCT2006

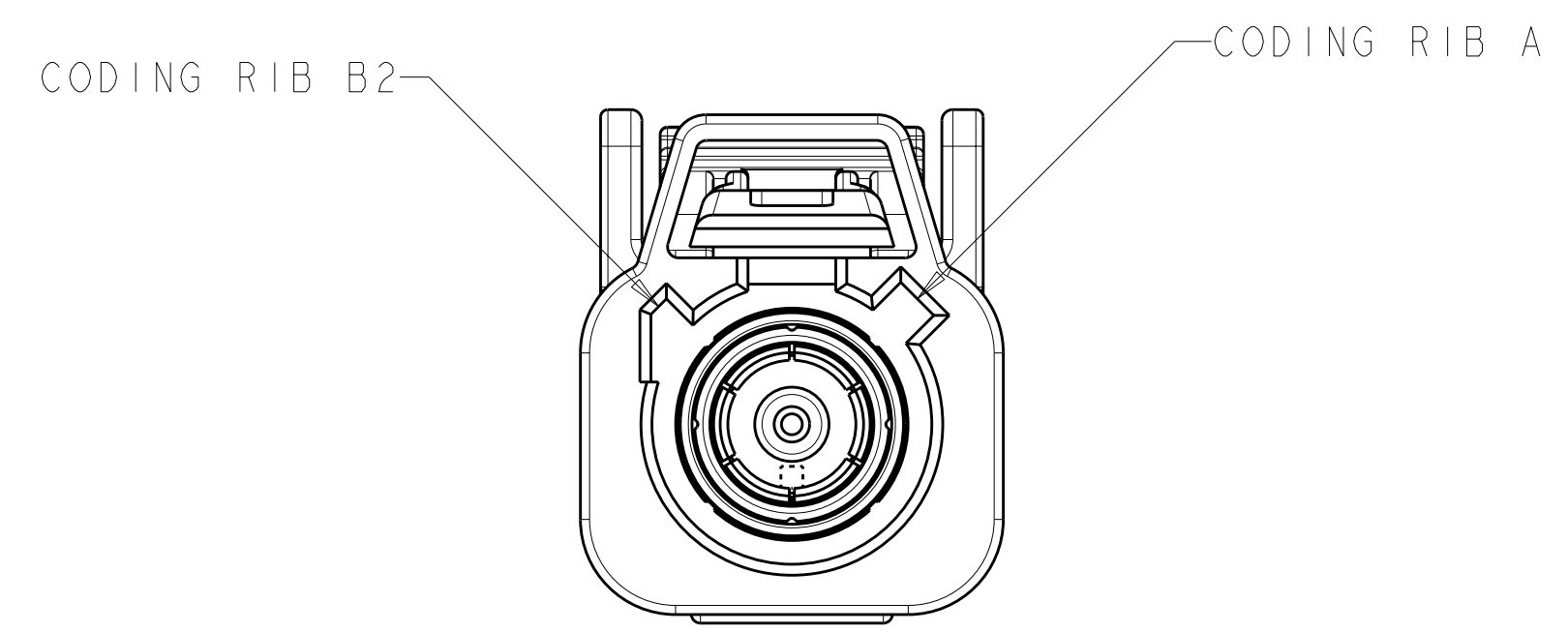
TE Connectivity

NAME: PLUG KIT, UNASSEMBLED, 1 POSITION, 1.5D-2VS OR 1.5C-2V, FAKRA

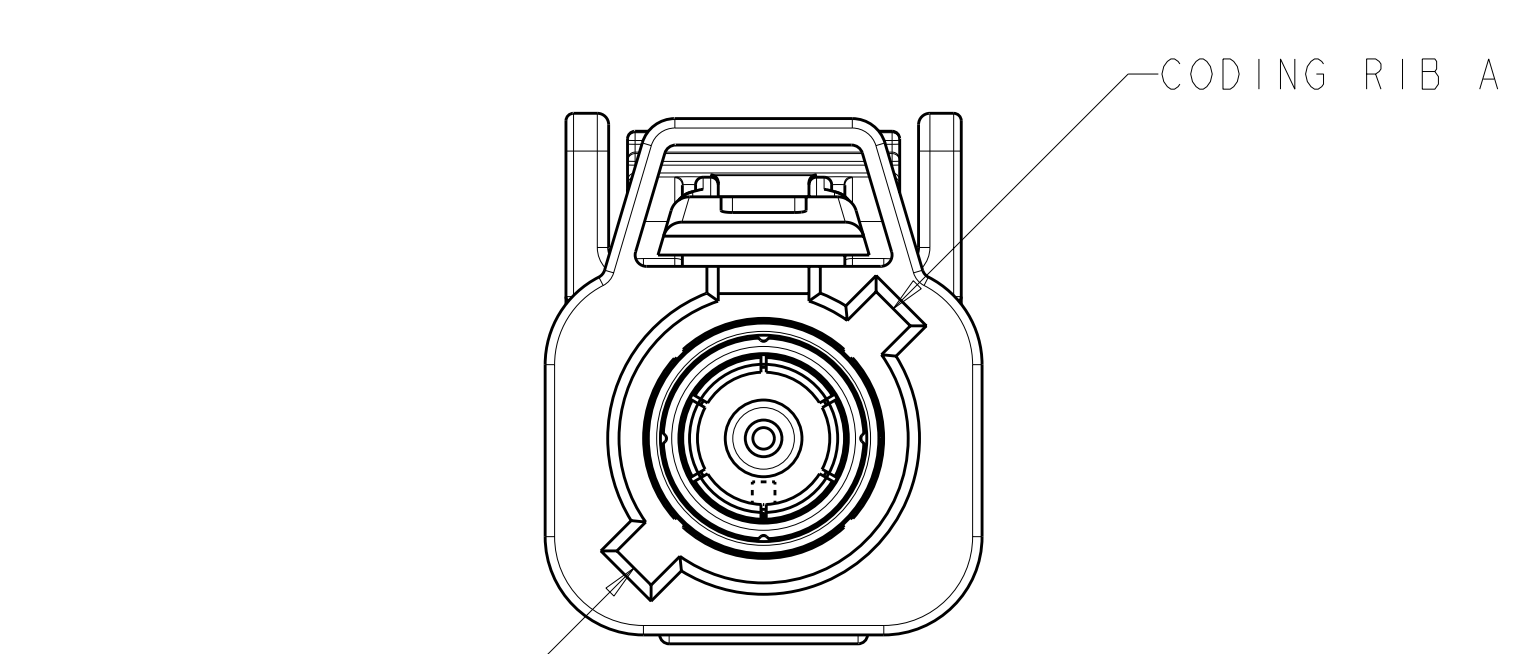
SIZE: CAGE CODE: DRAWING NO: 114-13157  
 WEIGHT: A100779C=1924134

CUSTOMER DRAWING SCALE: 4:1 SHEET 1 OF 2 REV: C1

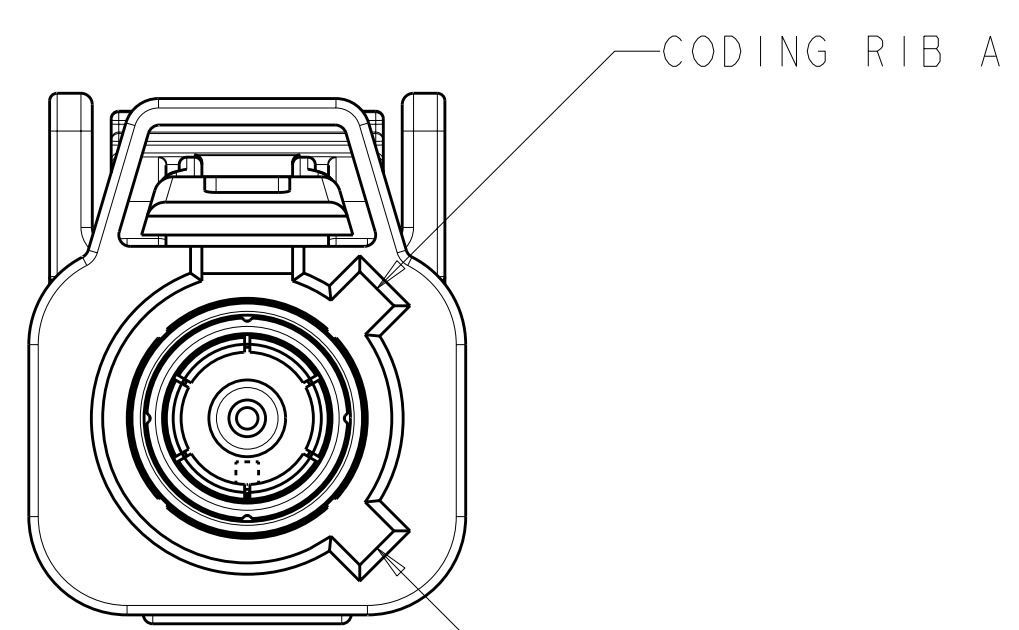
LOC	DIST	REVISIONS					
		P	LTB	DESCRIPTION	DATE	DWN	APVD
1N	00	-	-	SEE SHEET 1	-	-	-



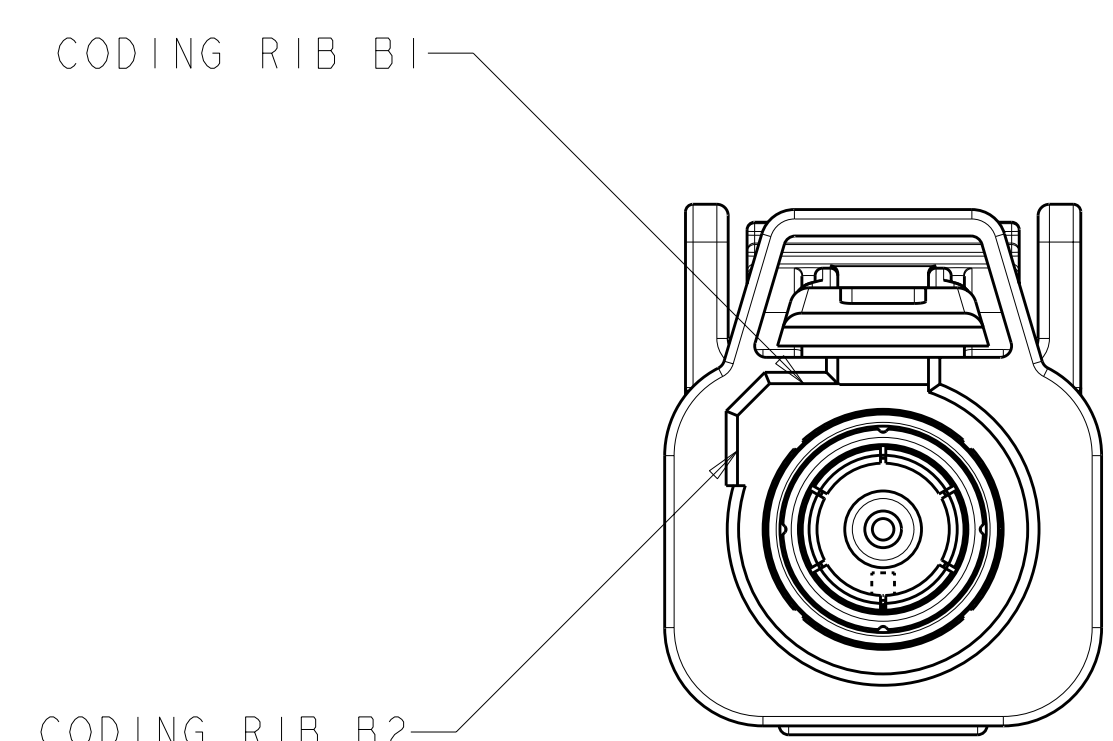
DETAIL B  
SCALE 5:1



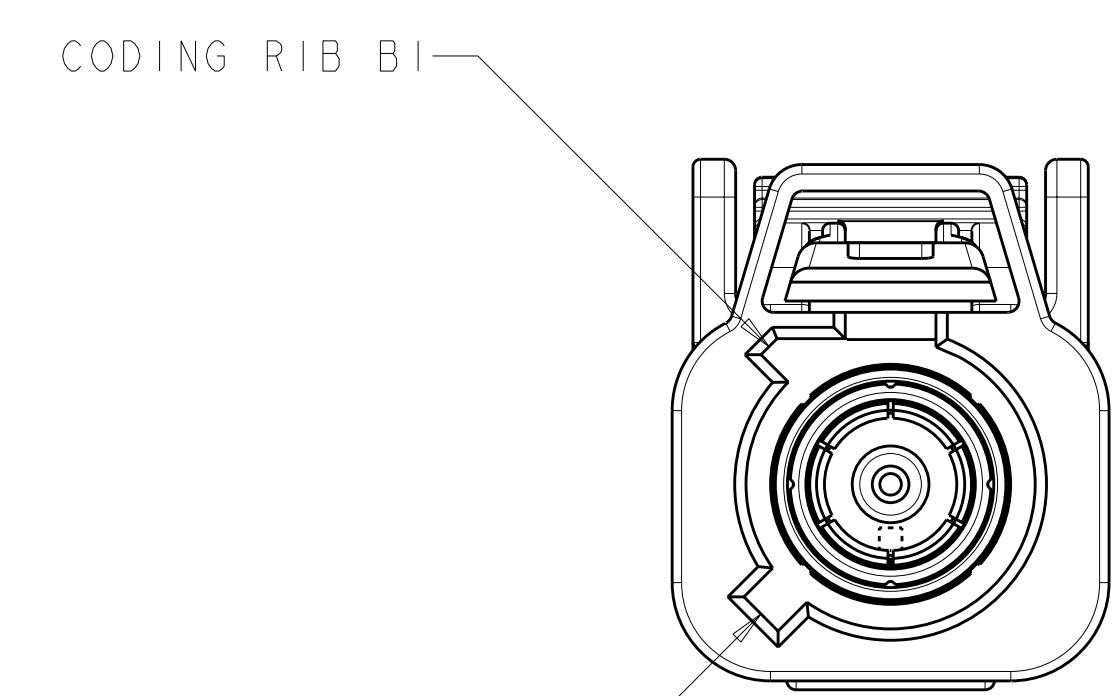
DETAIL C  
SCALE 5:1



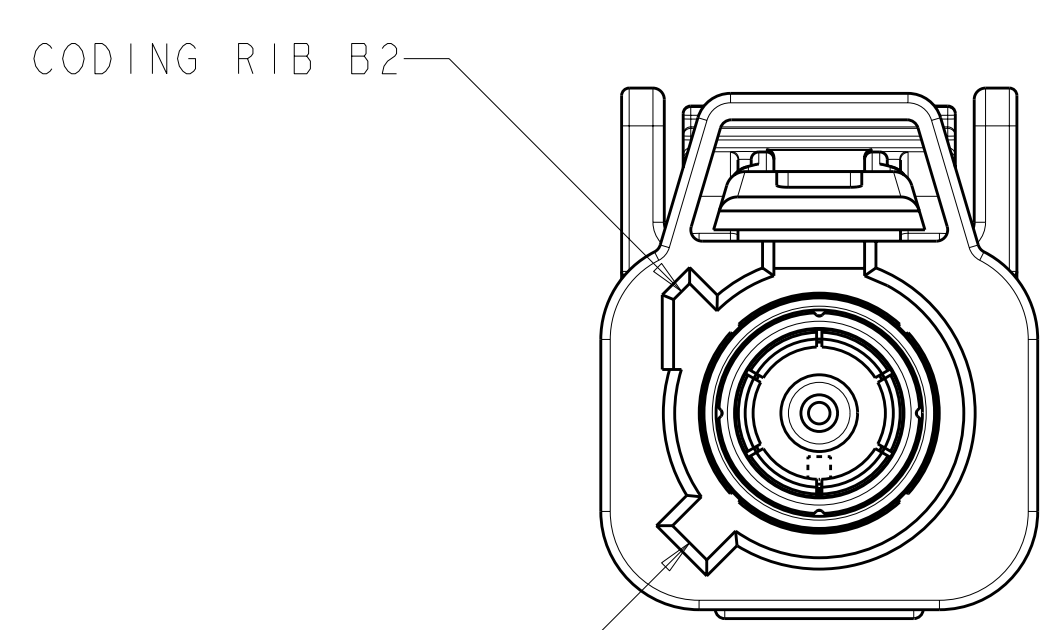
DETAIL D  
SCALE 5:1



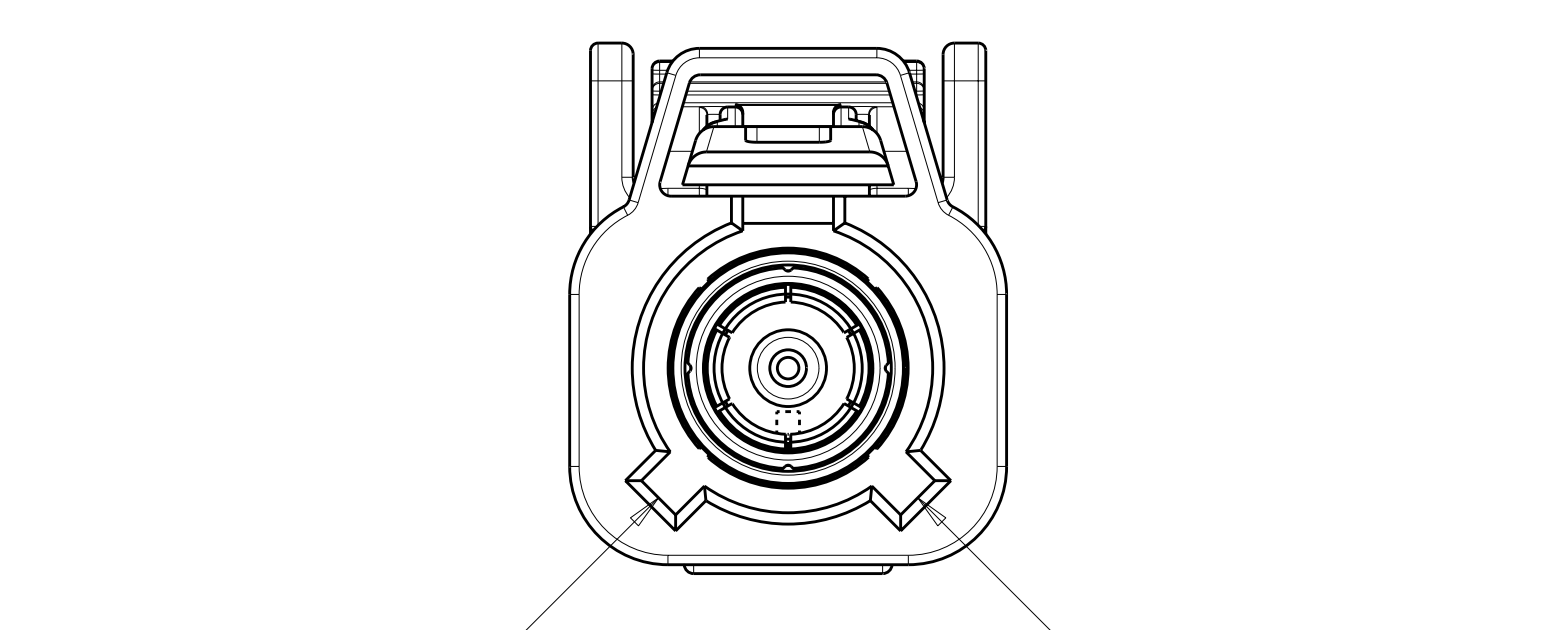
DETAIL E  
SCALE 5:1



DETAIL F  
SCALE 5:1



DETAIL H  
SCALE 5:1



DETAIL K  
SCALE 5:1

THIS DRAWING IS A CONTROLLED DOCUMENT.		DWN D. J. HARDY 10OCT2006	TE Connectivity NAME PLUG KIT, UNASSEMBLED, 1 POSITION, 1.5D-2VS OR 1.5C-2V, FAKRA	
DIMENSIONS:		CHK J. W. HALL 17OCT2006		
mm	TOLERANCES UNLESS OTHERWISE SPECIFIED:	APVD J. W. HALL 17OCT2006	PRODUCT SPEC	
	0 PLC ±		APPLICATION SPEC	
	1 PLC ±0.25		SIZE CAGE CODE DRAWING NO RESTRICTED TO	
	2 PLC ±		114-13157	
	3 PLC ±		A100779C=1924134	
	4 PLC ±		WEIGHT	
	ANGLES ±		CUSTOMER DRAWING	
MATERIAL	FINISH		SCALE 4:1 SHEET 2 OF 2 REV. C1	