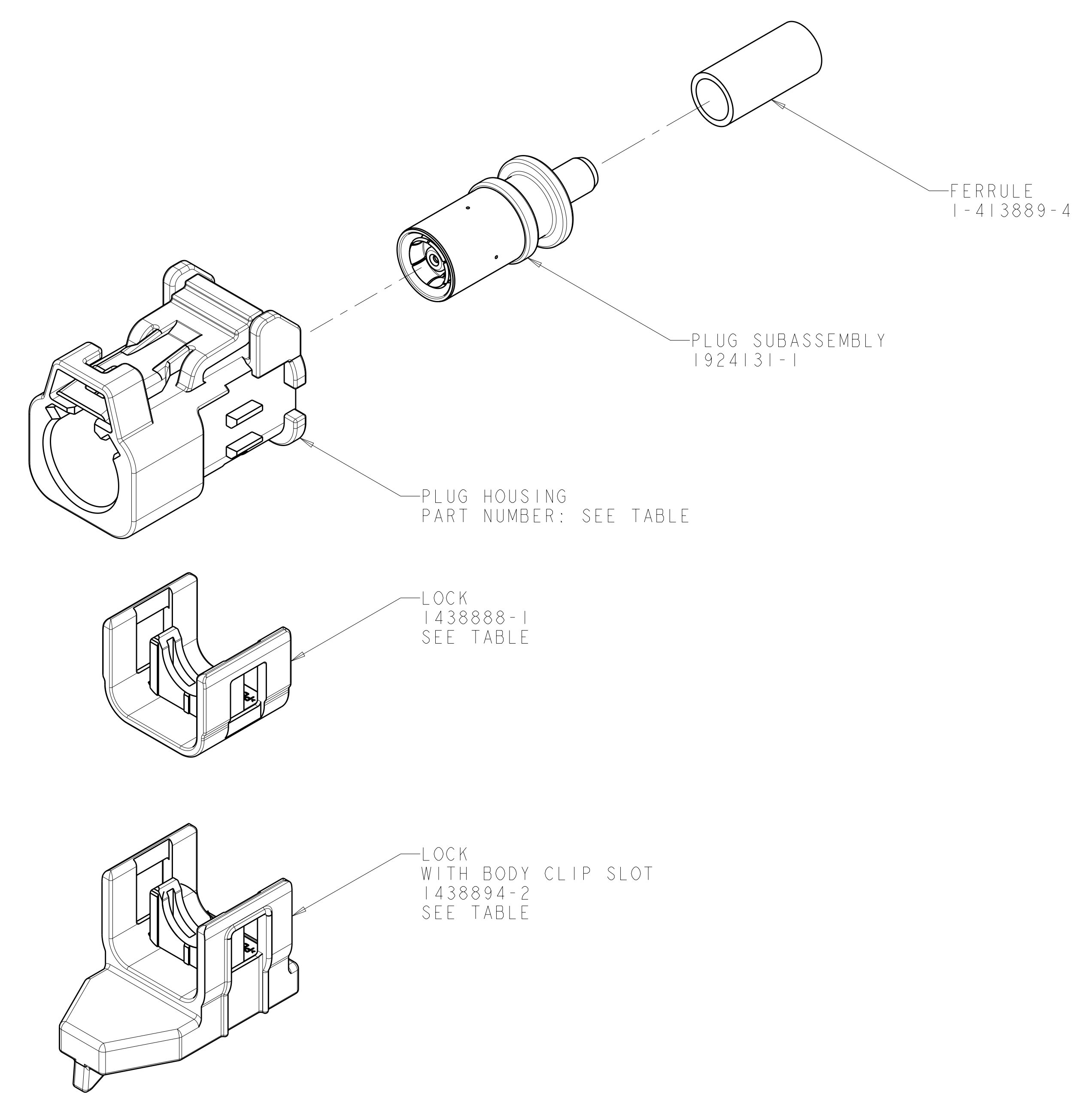
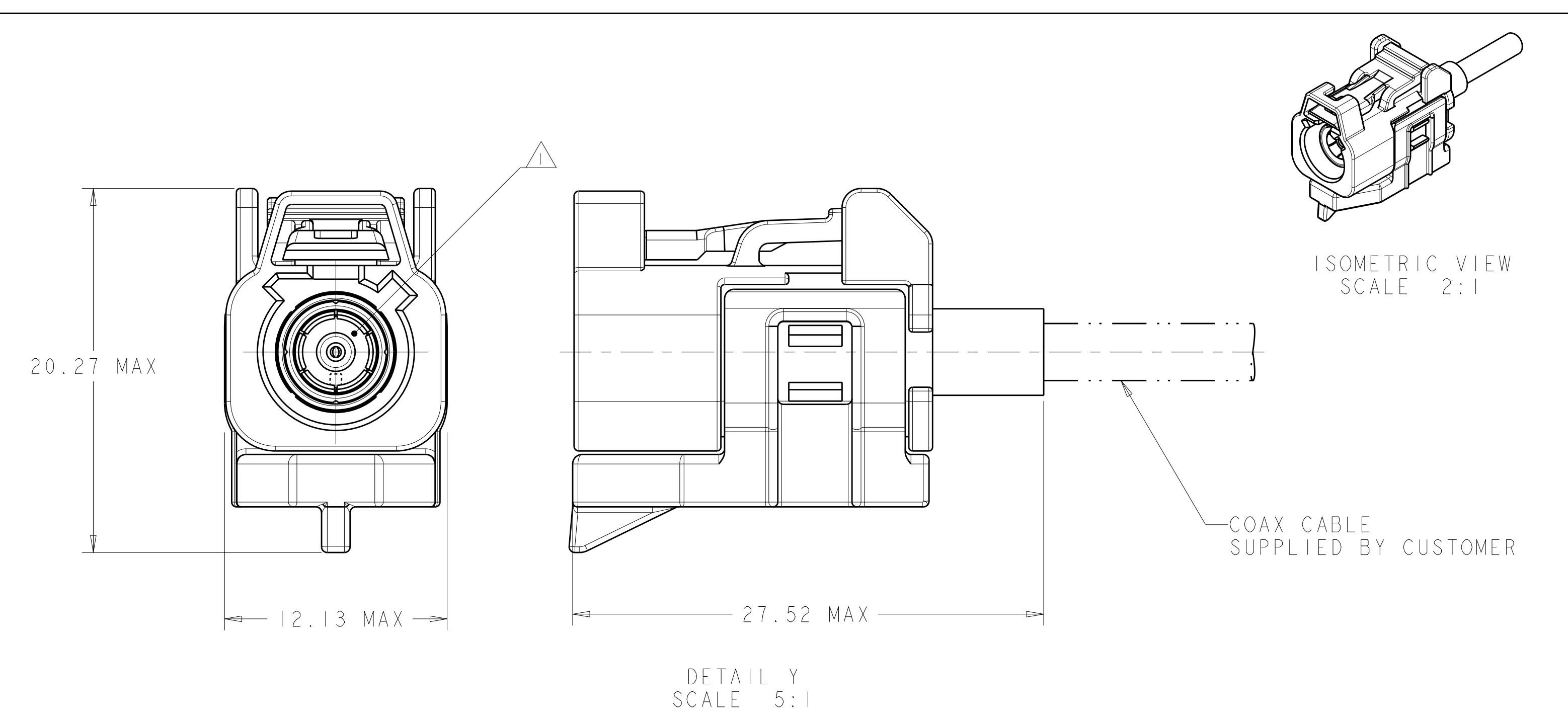
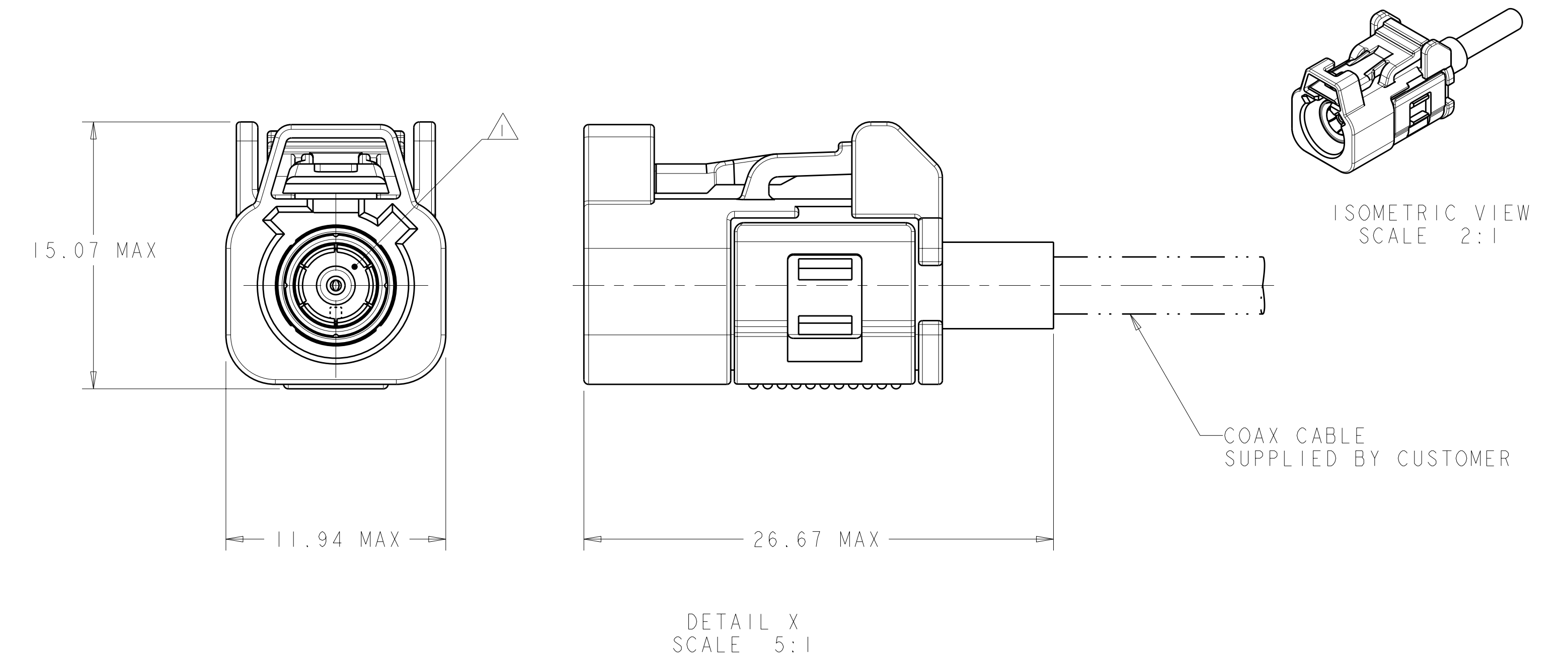
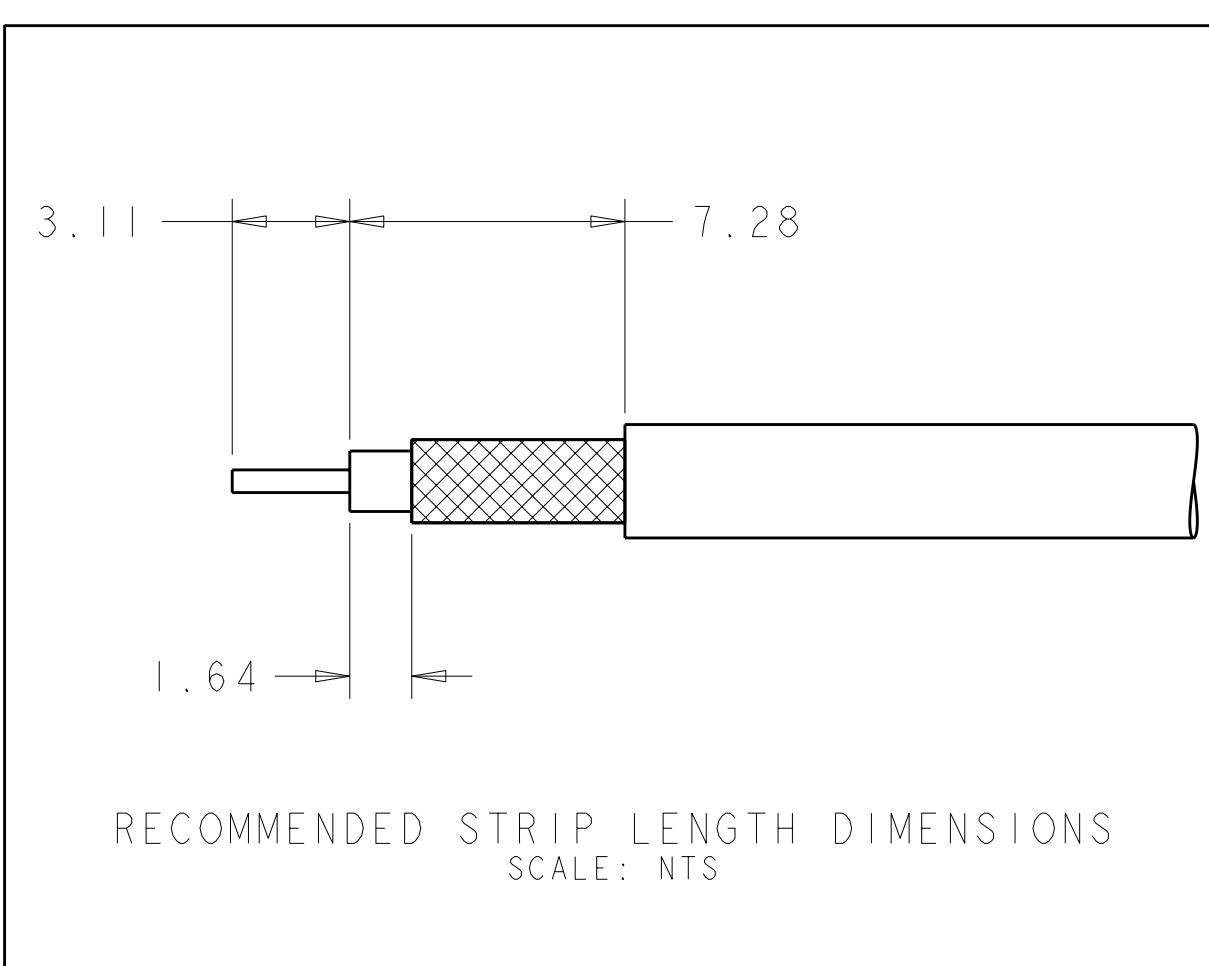


LOC	DIST	REV	DATE	BY	APPD
IN	00				
C		ECR-09-025761	21DEC2009	KP	LV
C1		ECO-12-004859	29MAR2012	KP	LV



- 1. PLUG ACCEPTS JACKS MEETING DIN 72594-1, ROAD VEHICLES - RADIO FREQUENCY INTERFACE - DIMENSIONS AND ELECTRICAL REQUIREMENTS.
- 2. PLUG SUBASSEMBLY WILL ACCEPT 1.5D-2VS OR 1.5C-2V COAXIAL CABLE.
- 3. SEE INSTRUCTION SHEET 408-10028.
- 4. SOCKET CONTACT 1438896-4 MUST BE PURCHASED SEPARATELY FOR 1.5D-2VS CABLE. SOCKET CONTACT 1438896-6 MUST BE PURCHASED SEPARATELY FOR 1.5C-2V CABLE.
- 5. THIS PRODUCT HAS NOT COMPLETED VALIDATION TESTING ON 1.5C-2V CABLE.



PER DETAIL	PER DETAIL	KEY	LOCK COLOR	LOCK PART NUMBER	HOUSING COLOR	PLUG HOUSING PART NUMBER	PART NUMBER
PER DETAIL Y	PER DETAIL K	K	GRAY	1438894-2	CURRY	1-1438893-0	6-1924134-0
PER DETAIL Y	PER DETAIL H	H	GRAY	1438894-2	HEATHER VIOLET	1438893-8	5-1924134-8
PER DETAIL Y	PER DETAIL F	F	GRAY	1438894-2	NUT BROWN	1438893-6	5-1924134-6
PER DETAIL Y	PER DETAIL E	E	GRAY	1438894-2	LEAF GREEN	1438893-5	5-1924134-5
PER DETAIL Y	PER DETAIL D	D	GRAY	1438894-2	CLARET VIOLET	1438893-4	5-1924134-4
PER DETAIL Y	PER DETAIL C	C	GRAY	1438894-2	SIGNAL BLUE	1438893-3	5-1924134-3
PER DETAIL Y	PER DETAIL B	B	GRAY	1438894-2	SIGNAL WHITE	1438893-2	5-1924134-2
PER DETAIL X	PER DETAIL K	K	RED	1438888-1	CURRY	1-1438893-0	1-1924134-0
PER DETAIL X	PER DETAIL H	H	RED	1438888-1	HEATHER VIOLET	1438893-8	1924134-8
PER DETAIL X	PER DETAIL F	F	RED	1438888-1	NUT BROWN	1438893-6	1924134-6
PER DETAIL X	PER DETAIL E	E	RED	1438888-1	LEAF GREEN	1438893-5	1924134-5
PER DETAIL X	PER DETAIL D	D	RED	1438888-1	CLARET VIOLET	1438893-4	1924134-4
PER DETAIL X	PER DETAIL C	C	RED	1438888-1	SIGNAL BLUE	1438893-3	1924134-3
PER DETAIL X	PER DETAIL B	B	RED	1438888-1	SIGNAL WHITE	1438893-2	1924134-2

OBSOLETE

OBSOLETE

THIS DRAWING IS A CONTROLLED DOCUMENT.

DIMENSIONS: mm
 TOLERANCES UNLESS OTHERWISE SPECIFIED:
 9 PLC ±
 1 PLC ±0.25
 5 PLC ±
 4 PLC ±
 ANGLES ±
 FINISH

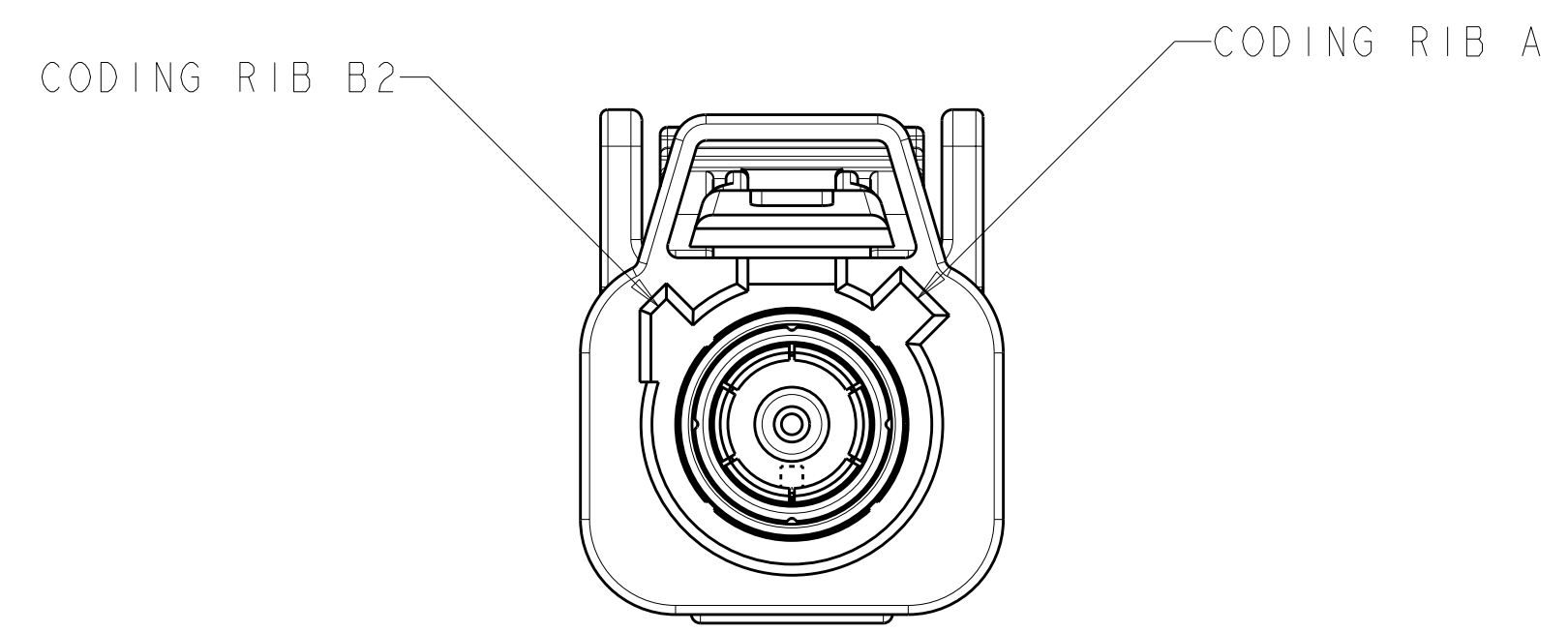
MATERIAL: -
 FINISH: -

DWG: D. J. HARDY 10OCT2006
 CHK: J. W. HALL 17OCT2006
 APVD: J. W. HALL 17OCT2006

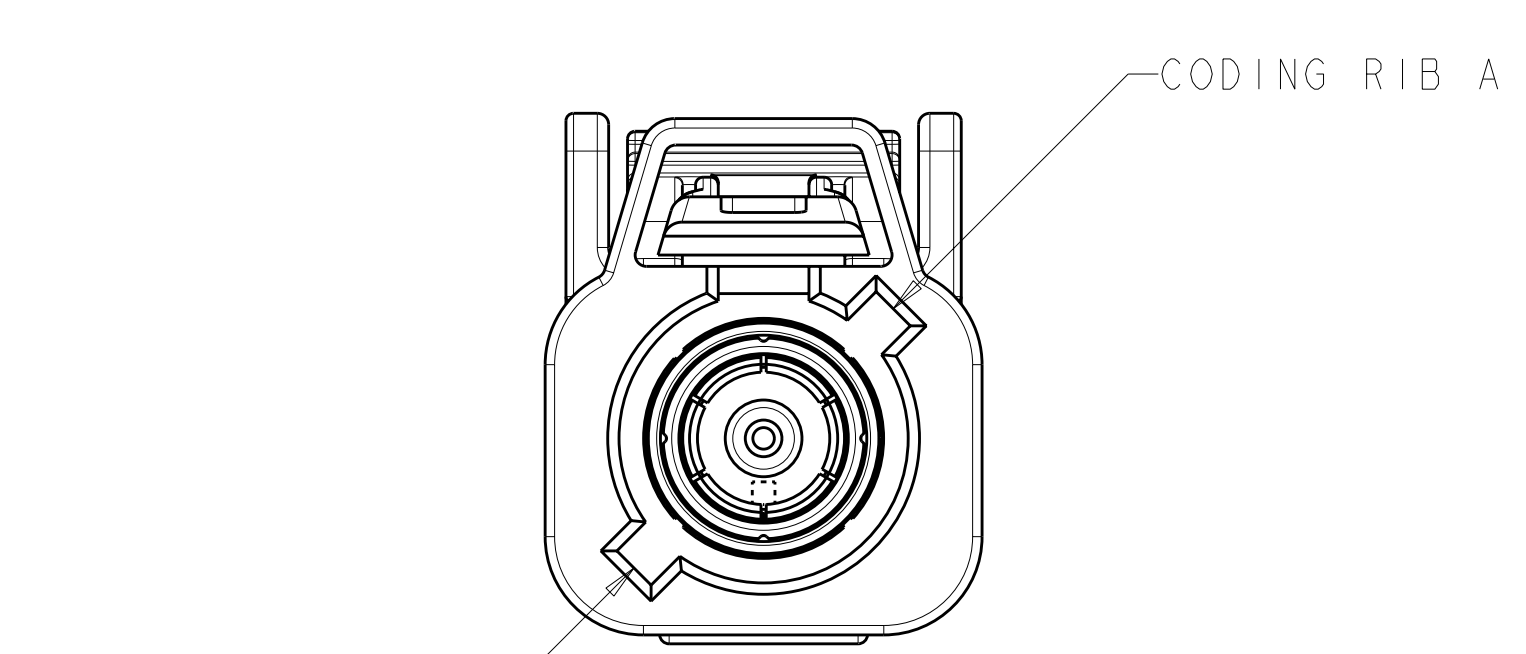
NAME: PLUG KIT, UNASSEMBLED, 1 POSITION, 1.5D-2VS OR 1.5C-2V, FAKRA
 PRODUCT SPEC: -
 APPLICATION SPEC: 114-13157
 WEIGHT: -
 CUSTOMER DRAWING

STE TE Connectivity
 SIZE: CAGE CODE DRAWING NO: A100779C=1924134
 RESTRICTED TO: -
 SCALE: 4:1 SHEET 1 OF 2 REV: C1

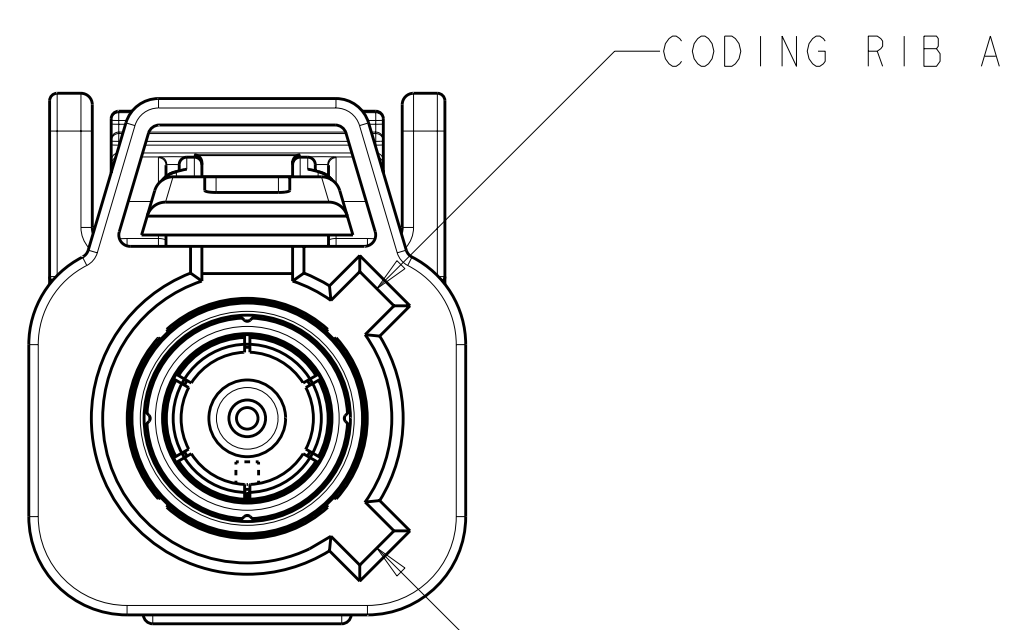
LOC		DIST		REVISIONS			
1	N	00		REV	DATE	BY	APPV
				1	SEE SHEET 1		



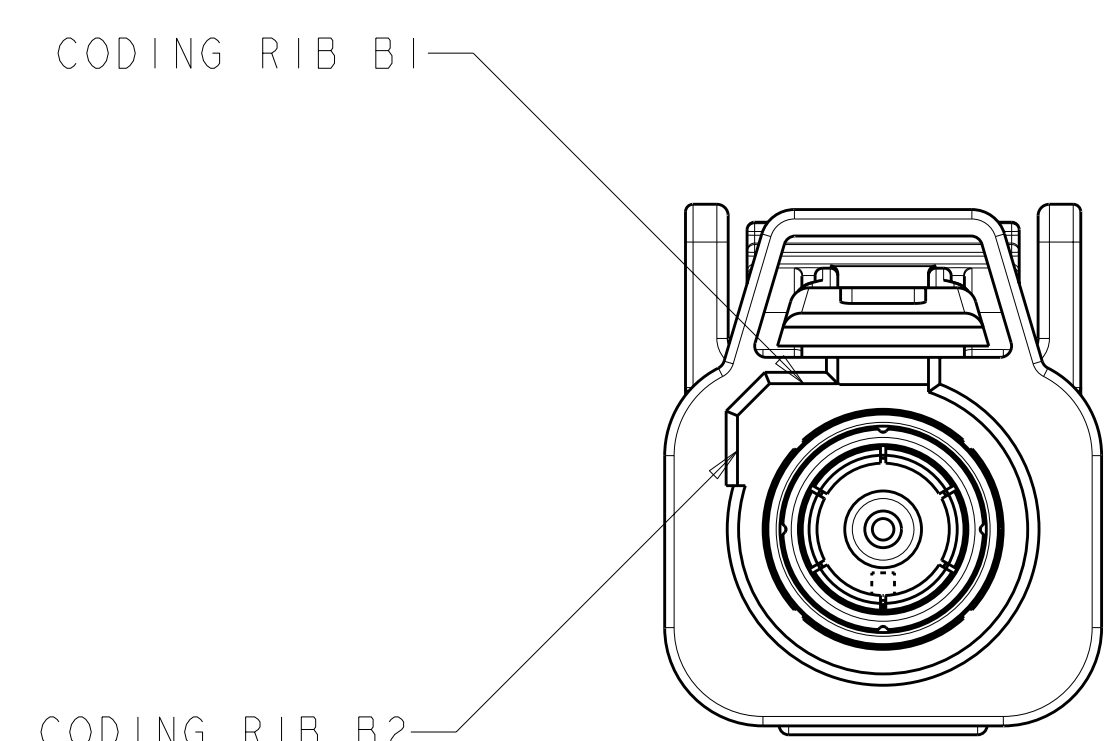
DETAIL B
SCALE 5:1



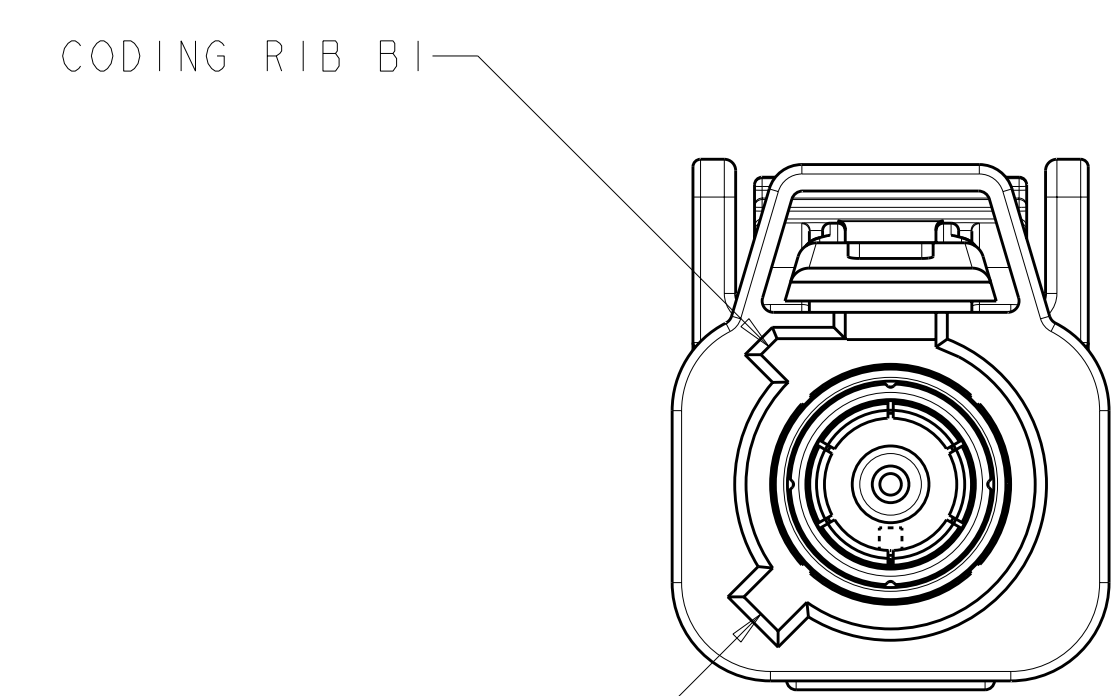
DETAIL C
SCALE 5:1



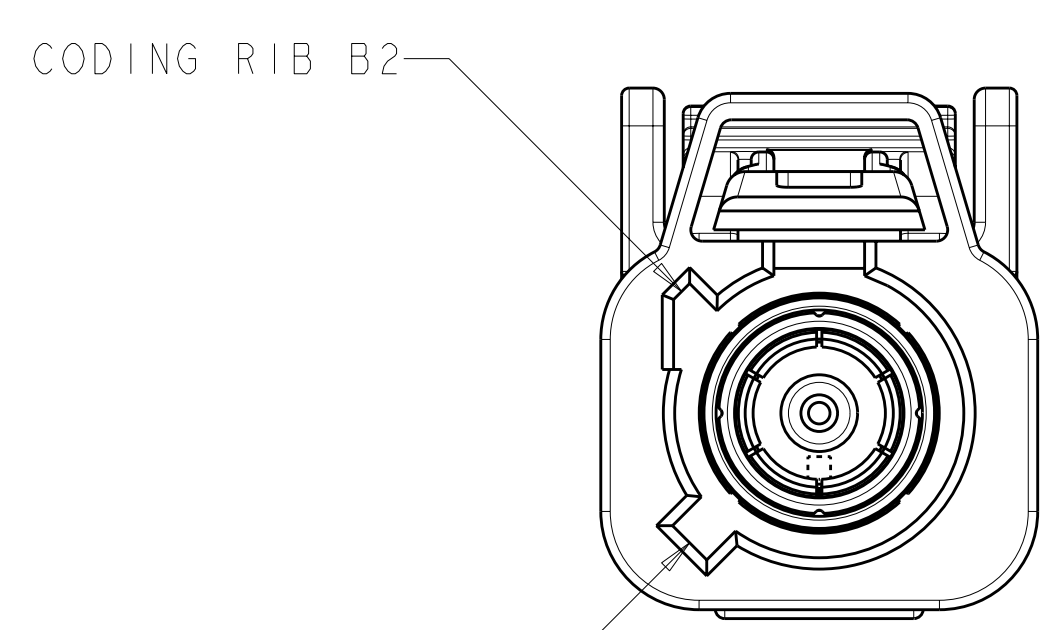
DETAIL D
SCALE 5:1



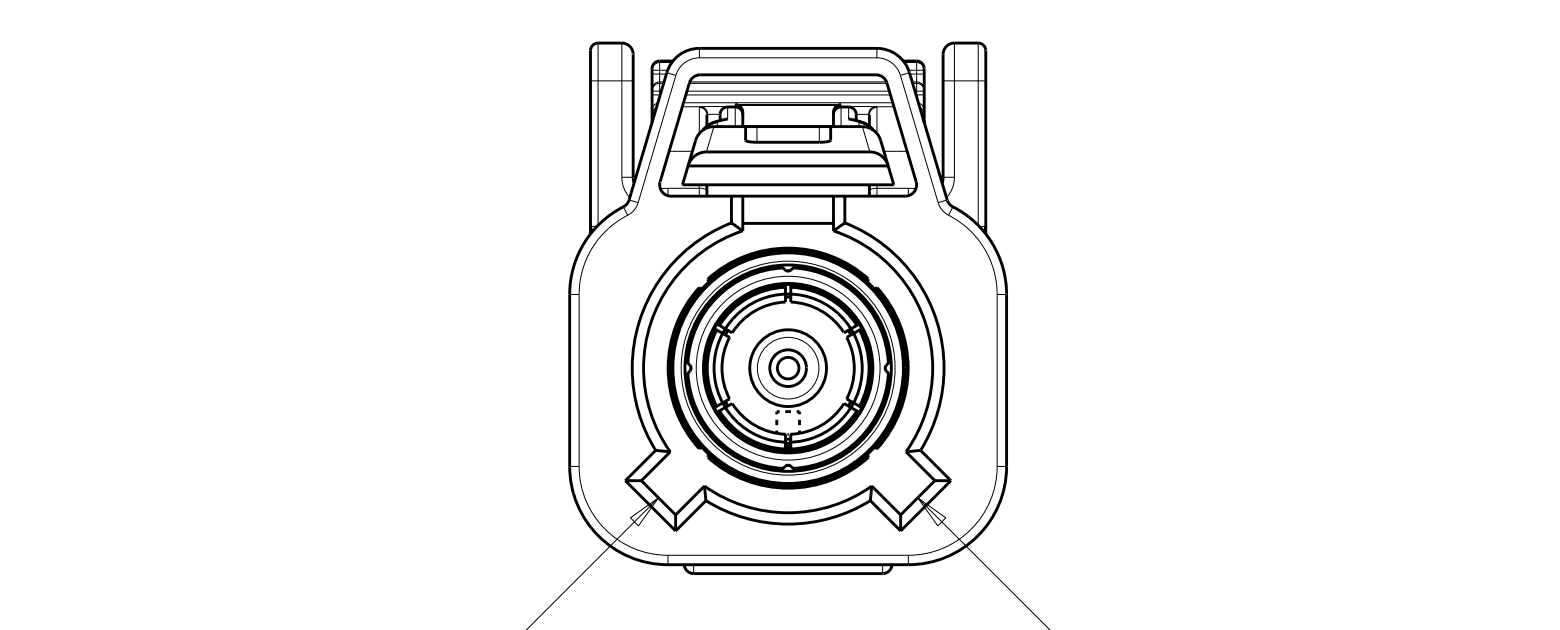
DETAIL E
SCALE 5:1



DETAIL F
SCALE 5:1



DETAIL H
SCALE 5:1



DETAIL K
SCALE 5:1

THIS DRAWING IS A CONTROLLED DOCUMENT.		OWN	D. J. HARDY	10OCT2006	TE Connectivity NAME PLUG KIT, UNASSEMBLED, 1 POSITION, 1.5D-2VS OR 1.5C-2V, FAKRA
DIMENSIONS:		CHK	J. W. HALL	17OCT2006	
mm		APVD	J. W. HALL	17OCT2006	
TOLERANCES UNLESS OTHERWISE SPECIFIED: 9 PLC ± 1 PLC ±0.25 2 PLC ± 3 PLC ± 4 PLC ± ANGLES ±		PRODUCT SPEC		APPLICATION SPEC	SIZE
MATERIAL		WEIGHT		114-13157	CAGE CODE
FINISH		CUSTOMER DRAWING		SCALE	4:1
		SHEET		2	OF
		REV		2	CL